

QUICK SELECTION GUIDE 2016

AIR TERMINAL DEVICES



AIR-WATER SYSTEMS



DECENTRALISED VENTILATION



MULTILEAF DAMPERS



SOUND ATTENUATORS



EXTERNAL WEATHER LOUVRES



FIRE AND SMOKE PROTECTION SYSTEMS



CONTROL UNITS



CONTROL SYSTEMS



FILTER UNITS



FILTER ELEMENTS



X-CUBE AIR HANDLING UNITS



X-FANS



TROX[®] TECHNIK

The art of handling air



X Fans

TROX TLT



TROX TLT in Bad Hersfeld, Germany

THE ART OF HANDLING AIR

TROX understands the art of handling air like no other company. Since the company's inception in 1951, we have been developing and producing advanced components, units and systems for the ventilation and air conditioning of rooms as well as for fire and smoke protection. We have become a global leader of innovation in these fields.

TROX TLT and their X-Fans building fans ideally complete the TROX portfolio. X-Fans centrifugal and axial fans are used for ventilation or smoke exhaust in airports, hotels, office buildings and production facilities as well as in tunnels, underground car parks and underground transport systems. TROX offers in fact all components and systems for ventilation and air conditioning, thereby providing customers with a complete system from a single source.

The advantages for specialist consultants and HVAC contractors are obvious: one face to the customer – for efficient ventilation and air conditioning systems. Interface problems are a thing of the past.

Clean room technology is just one of the sectors where TROX sets the highest standards. Since 1998 our clean room experts have been members of the standards committees for EN 1822, EN 14175, DIN 1946 Part 7, and other guidelines and have provided valuable input to these bodies.

This is 'The art of handling air' by TROX.



*TROX TLT administration and production complex in
Bad Hersfeld, Germany*



Johannes Trümner, Head of Sales

'The challenge we are facing today is twofold: to offer products of a very high quality, which are efficient and have a wide range of functions, and also to show one face to customers, to act as a one-stop shop and find the best possible system solution for each customer.'

INNOVATION AND TRADITION IDEAS FROM GERMANY

TROX TLT was founded in 1874 and enjoys today an excellent reputation all over the world. Products 'Made in Germany', top engineering quality and continuous improvement and optimisation have made us one of the leading manufacturers of fans for building services applications. This success is based on a company culture characterised by mutual respect, trust and openness. And: We love a challenge! Creating sustainable products with an added value is our investment into the future and hence an integral part of our company culture.

In 2013, TROX TLT received at the FeuerTRUTZ trade fair in Nuremberg, Germany, the Fire Protection Product of the Year award for its VDS fan diagnosis system. With this intelligent system the bearings and lubricants for smoke exhaust fans need no longer be replaced in regular intervals, but only when the diagnosis system detects a condition that requires a change.



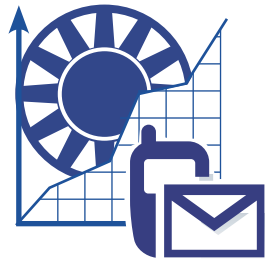
TROX TLT production then and now



Annika Schmitt, Product Management

HERE TO HELP!

Any questions about our products? Get in touch!



For general information:

Phone: +49 (0) 6621 9500

Fax: +49 (0) 6621 950100

E-mail: info@trox-tlt.de

For quotations or expert advice:

Sales Support

Phone: +49 (0) 6621 950180

Fax: +49 (0) 6621 950100

E-Mail: anfrage@trox-tlt.de

For questions on orders:

Customer Support

Phone: +49 (0) 6621) 950161

Fax: +49 (0) 6621 950100

E-mail: bestell@trox-tlt.de

We are happy to help!





TROX® TECHNIK
The art of handling air

www.trox.de

STARTSEITE
THE ART OF HANDLING AIR

TROX® TECHNIK
The art of handling air

CHNIK
air

FROM DESIGN TO DELIVERY WITH A MOUSE CLICK – PRODUCT CONFIGURATOR

Characteristics

- Design software based on a central database
- Safe storage and retrieval of existing know-how
- Available in ten languages

User friendly navigation

- Easy to use, error-free navigation
- Online 24/7
- Always up-to-date, no updates by users required

Individual product selection

- Based on efficiency, price, delivery time, acoustic performance or size

Documentation

- Create, e-mail and save documents

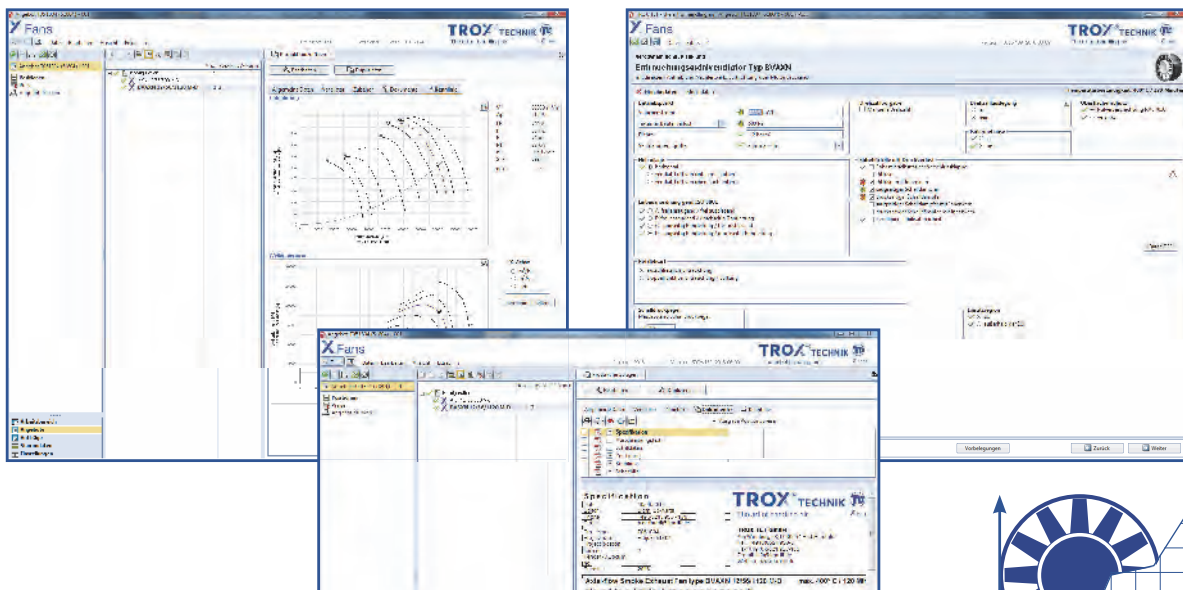
Drawings

- Create drawings based on your configuration and including accessories you have selected

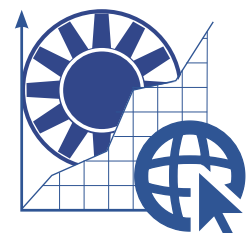
Premium Configurator

- As a Premium user you may save your projects and continue later

The TROX TLT Product Configurator is available at www.trox-tlt.de.



TROX TLT Configurator





DESIGNING FANS WITH PRECISION USING THE ONLINE CONFIGURATOR

The Product Configurator is a powerful tool for all steps from design to delivery.

The Product Configurator allows you to access bespoke solutions from TROX TLT, 24 hours a day, and with just a few mouse clicks. The TROX TLT Product Configurator is, however, much more than just an electronic catalogue. It is in fact a very efficient design programme that helps you design the best fan or fans for each application and operating point.

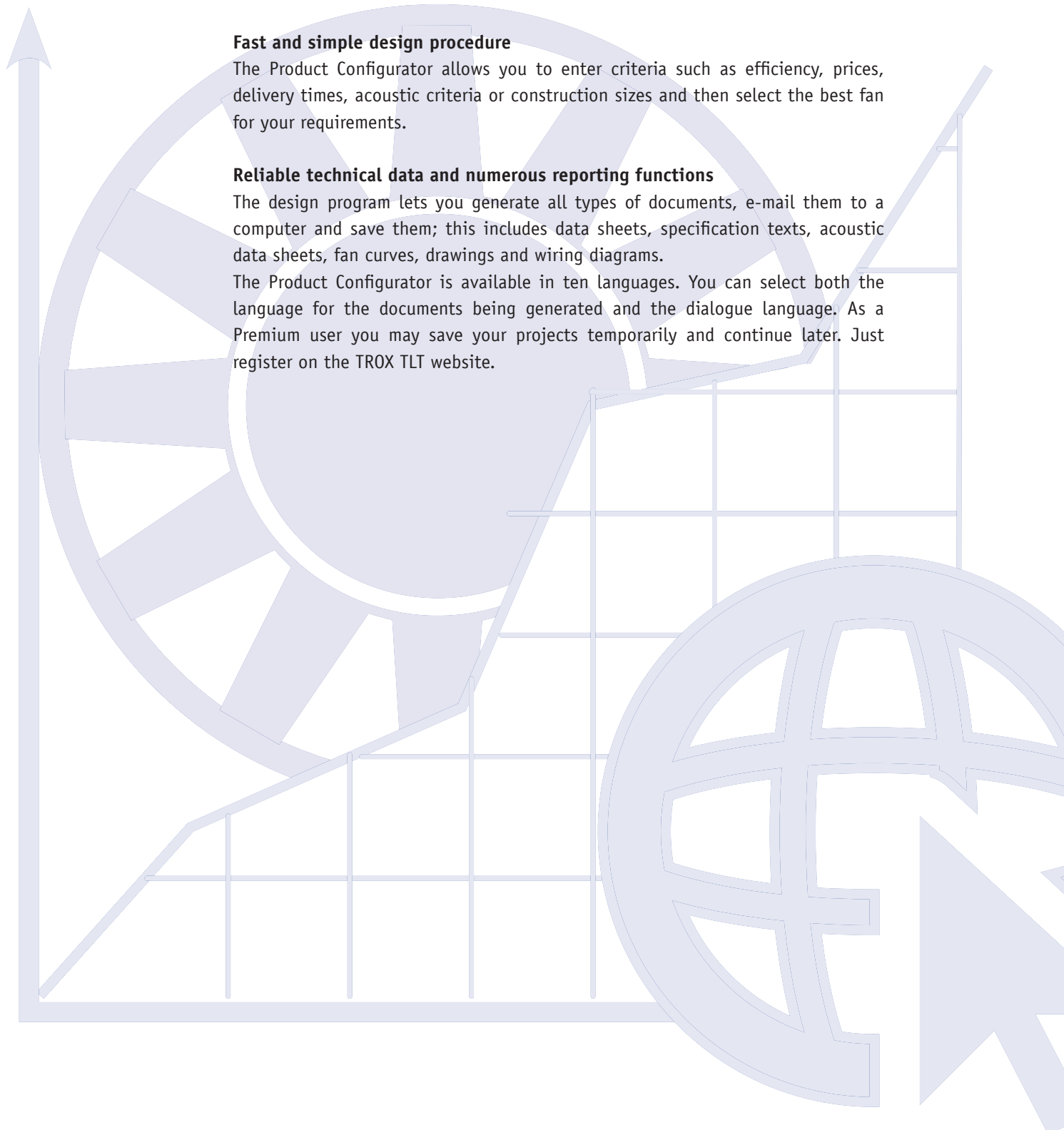
Fast and simple design procedure

The Product Configurator allows you to enter criteria such as efficiency, prices, delivery times, acoustic criteria or construction sizes and then select the best fan for your requirements.

Reliable technical data and numerous reporting functions

The design program lets you generate all types of documents, e-mail them to a computer and save them; this includes data sheets, specification texts, acoustic data sheets, fan curves, drawings and wiring diagrams.

The Product Configurator is available in ten languages. You can select both the language for the documents being generated and the dialogue language. As a Premium user you may save your projects temporarily and continue later. Just register on the TROX TLT website.





AIR TERMINAL DEVICES



AIR-WATER SYSTEMS



DECENTRALISED VENTILATION



MULTILEAF DAMPERS



SOUND ATTENUATORS



EXTERNAL WEATHER LOUVRES



FIRE AND SMOKE PROTECTION SYSTEMS



CONTROL UNITS



CONTROL SYSTEMS



FILTER UNITS



FILTER ELEMENTS



X-CUBE AIR HANDLING UNITS



X-FANS



GENERAL



PRODUCT INDEX



13 X-FANS

1.1 Roof smoke exhaust fans



For conveying smoke gases of the temperature class F400 / F600

BVD

1



For conveying smoke gases of temperature classes F200 / F300 / F400

BVDAX



For conveying smoke gases of the temperature class F600

BVW-D

1.2 Smoke exhaust axial fans



For conveying smoke gases of the temperature class F300

BVAXO

2



For conveying smoke gases of the temperature class F400

BVAXO 9/27



For conveying smoke gases of the temperature class F400

BVAXO 10/50

32



For conveying smoke gases of temperature classes F400 and F600

BVAXN 8/56

34



For conveying smoke gases of temperature classes F200, F300 and F400

BVAXN 6_9_12/56

36






For conveying smoke gases of temperature classes F200, F300 and F400


BVZAXN 6_9_12/56

38


1.3 Smoke exhaust centrifugal fans

	For conveying smoke gases of the temperature class F400	BVREH	
	For conveying smoke gases of the temperature class F600	BVRA	45
	For conveying smoke gases of the temperature class F600	BVW-B	47


1.4 Smoke exhaust plug fans

	For conveying smoke gases of the temperature class F300	BVERV 23/1.2	52
---	---	--------------	----




1.5 Wall smoke exhaust fans

	For conveying smoke gases of the temperature class F600	BVW-A/R	56
---	---	---------	----

1.6 Smoke exhaust jet fans

	For conveying smoke gases of temperature classes F300 and F400	BVGAXO/N/R and BVGREH	60
---	--	-----------------------	----

2.1 Roof ventilation fans

	For building ventilation	DAX	66
	For building ventilation	DRV / DRH	68
	Ventilation of buildings, offices and production facilities.	DRV-EC	71



For ventilating buildings, offices and production facilities, for extracting air from kitchens and for extracting aggressive gases or vapours.

DRVH-H

2.2 Ventilation axial fans



Axial fans with direct drive for building ventilation and aeration

AXO

7



Axial fans with direct drive for building ventilation and aeration

AXO 9/27



Axial fans with direct drive for building ventilation and aeration

AXO 10/50



Axial fans with direct drive and outlet guide vanes AXN 12/56

AXN 6_9_12/56

85



Axial fans with direct drive for building ventilation and aeration

AXN-KSE 12/56

87



Axial fans with direct drive for building ventilation and aeration

ZAXN 6_9_12 / 56

89



Axial fans with direct drive for building ventilation and aeration

GLDF

91

2.3 Ventilation centrifugal fans



Centrifugal fans for building ventilation and aeration

REH

95



Centrifugal fans for building ventilation and aeration

KFB

97



Centrifugal fans for building ventilation and aeration RZH 101

2.4 Ventilation plug fans



Centrifugal fans for industrial drying systems and other applications ERV 104

2.5 Duct fans



For building ventilation and aeration DF 106

2.6 Ventilation jet fans



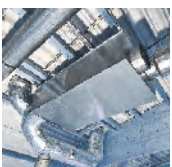
For ventilation and smoke extraction GAXO 109

4.1 Heat exchangers



Air heater KTH / ETH / RTH 113

5.1 Indoor units



Building heating, aeration and ventilation ThermoVent I 117

5.2 Roof top units



Building heating, aeration and ventilation ThermoVent D 119

6.1 Fans for aggressive air



Exhaust air fans made of plastic DRVF-K / AXN-K / REH-K 120

6.2 Fans for industrial applications



Exhaust air fans for industrial processes

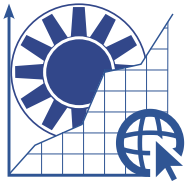
REH / ERM / AXN /
DRVF-H / BVD

121

Roof smoke exhaust fans

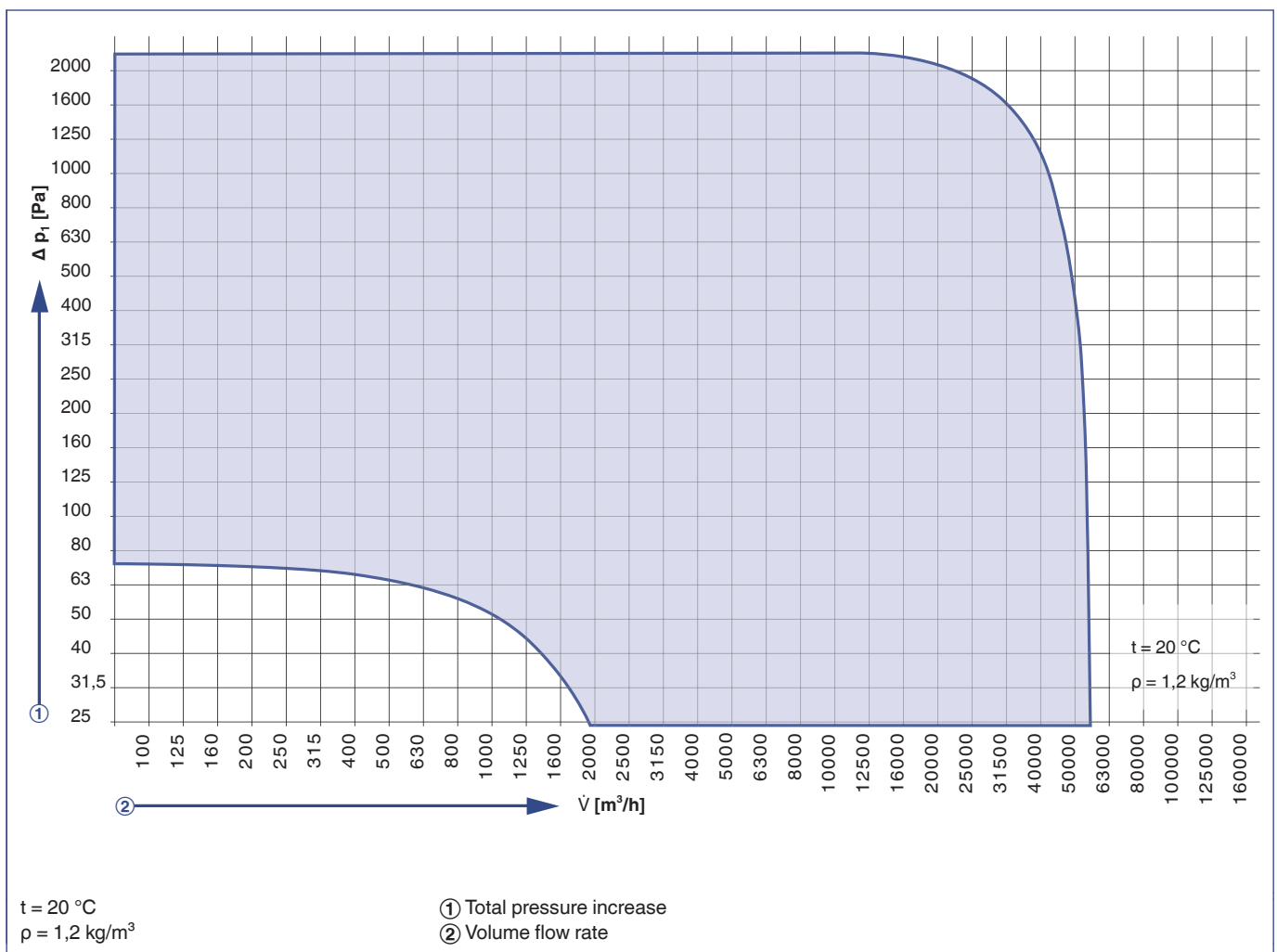
	Specifications		
	BVD	BVW-D	BVDAX
Temperature classes			
F 200			●
F 300			●
F 400	●		●
F 600	●	●	
Installation type			
Outdoors	●	●	●
In the building in the fire area			
In the building outside of the fire area			
Motor type			
Single-speed	●	●	●
Dual-speed	●	●	●
Suitable for operation on a frequency inverter (not in the case of smoke extraction)	●	●	●
Suitable for operation on a frequency inverter (in the case of smoke extraction)			●
Technical type			
Motor in airflow			●
Motor encased - not in airflow	●	●	
Snow load class SL 1000	●	●	●
Assembly on a flat or pitched roof	●	●	● Up to 35° / 30° (up to NG 900 / as of NG 1000)
Technical data			
Max. volume flow rate	54,360 m ³ /h	50,000 m ³ /h	100,000 m ³ /h
Max. pressure	2,300 Pa	2,100 Pa	1,250 Pa
Max. drive capacity	30	20	45
Nominal sizes (mm)	315-710	315-710	355-1.120
Material			
Impeller	Steel	Steel	Steel
Casing	Aluminium	Steel	Aluminium
Accessories			
Fan diagnosis system VD	○	○	○
Volume flow rate measuring unit VME	○	○	○
Shock pulse bearing monitoring STI	○	○	○
Acoustic and thermal insulation	○	○	○
Steel roof base for smooth roofs	○	○	
Sound attenuating base	○	○	
Silencing cover SDH (horizontal)			
Silencing cover SDV (vertical)			
Silencing cover SDV (vertical) with separate ventilation			
Outlet silencer SDI	○		
Self-powered shut-off damper	○	○	○
Flexible connectors	○	○	○
Matching flange	○	○	○
Equipotential bonding	○	○	○
Cover grille (inlet and outlet side)	○	○	○ Inlet side only
Terminal box	●	●	●
Local isolator loose (for outside of fire area)		○	○
Local isolator attached (terminal box not required)	○		

	Specifications		
	BVD	BVW-D	BVDAX
Insulated base plate	<input type="radio"/>	<input type="radio"/>	
Tilting frame for foldable type	<input type="radio"/>		
Deflector hood SL 1000	<input type="radio"/>		
Silicone-free type	<input type="radio"/>	<input type="radio"/>	
Frequency inverter (for ventilation mode only)	<input type="radio"/>	<input type="radio"/>	<input type="radio"/> For smoke extract mode too
Extract air and smoke extract controller	<input type="radio"/>	<input type="radio"/>	<input type="radio"/>
Flow redresser	<input type="radio"/>	<input type="radio"/>	<input type="radio"/>
Surface protection			
Corrosion protection category C2		●	
Corrosion protection category C3	●	<input type="radio"/>	
Corrosion protection category C4	<input type="radio"/>	<input type="radio"/>	
Corrosion protection category C5	<input type="radio"/>	<input type="radio"/>	●
Explanation			
● - Standard			
○ - Optional			



For conveying smoke gases of the temperature class F400 / F600

BVD Performance Range



+ Features

- For conveying smoke gases of temperature classes F400 and F600.
- Vertical outlet, with direct drive due to three-phase current IEC standard motor
- Encased against volume flow rate and separately ventilated through a motor cooling air system
- Casing made of corrosion-resistant aluminium
- 6 sizes
- More than 100 types
- Volume flow rate V max. 54,360 m³/h
- Total pressure increase p₁ max. 2,300
- Powder coating possible in all RAL colours
- Corrosion protection category up to C5

- With deflector hood SL1000
- Type can be insulated for the building

Application

Roof-mounted smoke exhaust fan for free outlet
Free inlet or connected on the inlet side. Dual function (ventilation and smoke extraction possible)

Variants

- Roof-mounted smoke exhaust fan BVD F400 / F600
- Roof-mounted smoke exhaust fan incl. outlet

silencer BVD-SDI F400 / F600

& Accessories

- Fan diagnosis system VD
- Volume flow rate measuring unit VME
- Shock pulse bearing monitoring STI
- Steel roof base for smooth roofs
- Sound attenuating base
- Outlet silencer SDI
- Self-powered shut-off damper
- Self-powered shut-off damper, thermally insulated
- Insulated / thermally insulated base plate
- Flexible connectors
- Matching flange





- ▶ Equipotential bonding
- ▶ Cover grille (inlet and outlet side)
- ▶ Local isolator attached (terminal box not required)
- ▶ Tilting frame for foldable type (up to NG 500 without SDI)
- ▶ Deflector hood SL 1000
- ▶ Silicone-free type

- ▶ Frequency inverter (for ventilation mode only)
- ▶ Extract air and smoke extract controller

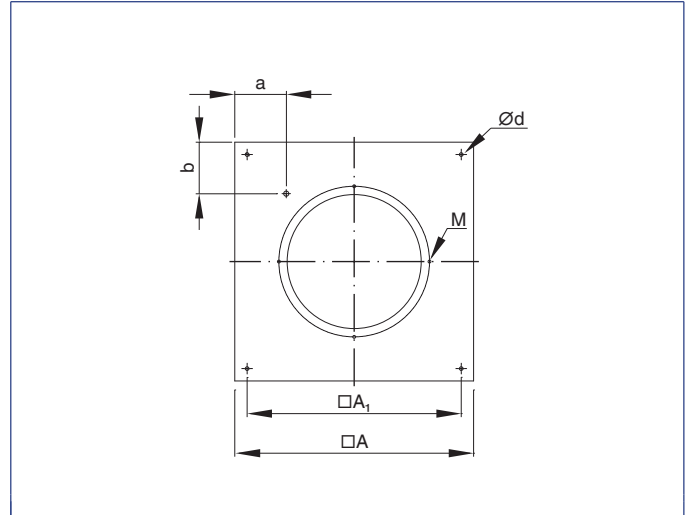
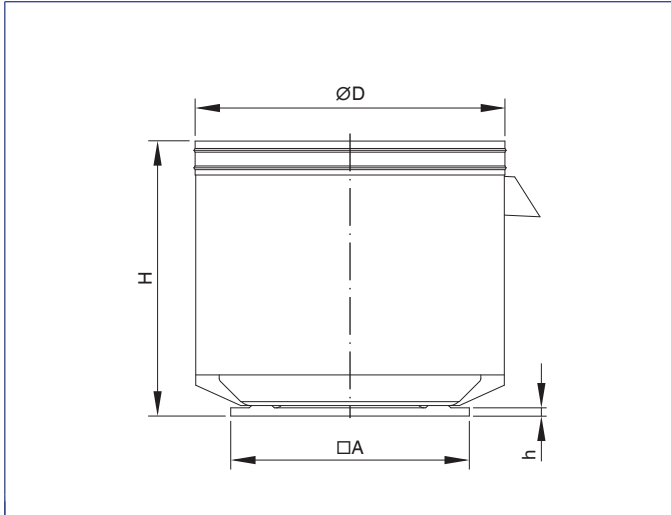
- 12101 - Part 3:
- ▶ F400 CE no.: 0761-CPD-0007,
 - ▶ F600 CE no.: 0761-CPD-0006,
 - ▶ Declaration of performance (DoP)

ISO **Classification, standards and guidelines**

- ▶ Temperature / time classification as per EN

BVD

BVD base plate



Dimensions [mm]

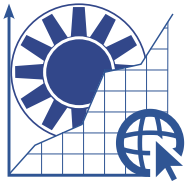
①	ØD	□A	H	h	□A1	a	b	Ød	M*
315	638	560	695 ¹⁾	40	460	110	110	14	6
355	808	710	772	40	600	143	143	14	8
400	808	710	848	40	600	143	143	14	8
500	993	1000	923	40	880	197	197	18	8
630	1272	1000	1337	40	880	197	197	18	10
630XL	1500	1000	1337	40	880	197	197	18	10
710	1272	1160	1337	40	1040	265	195	18	10
710XL	1500	1160	1337	40	1040	265	195	18	10

* Connecting flanges as per DIN 24154, Part 3. An air intake grille can be assembled directly on the base plate or on the flanges.

¹⁾ BVD 315/30-2=744

① Nominal size





For conveying smoke gases of temperature classes F200 / F300 / F400

+ Features

- ▶ Casing in corrosion protection category C5M as standard
- ▶ Casing available in all RAL colours
- ▶ Thermally insulated casing
- ▶ Meets all legal framework conditions (smoke extraction, German Energy Saving Ordinance)
- ▶ Building envelope's leakage and insulation properties are not compromised
- ▶ Heat transition class T4 (as per DIN EN 1866)
- ▶ Temperature bridge class TB4 (as per DIN EN 1866)
- ▶ Certified safety (functional integrity for F400, F300 and F200)
- ▶ Weatherproof and robust (EN 12101-3, SL 1000)
- ▶ Powerful (volume flow rates exceeding 100,000 m³/h)
- ▶ Versatile (can be integrated with all TROX TLT axial fans up to F400 and NG 1120)

- ▶ Lightweight and durable, easy assembly
- ▶ Easy maintenance
- ▶ Bellmouth (integrated in the case of free inlet)

Application

- ▶ Roof-mounted smoke exhaust fan
- ▶ Free outlet
- ▶ Free inlet or connected on the inlet side
- ▶ Dual function (ventilation and smoke extraction possible)

Variants

- ▶ Roof-mounted smoke exhaust fan BVDAXN/-O Temp. class F200 to F400
- ▶ Flat or pitched roof type

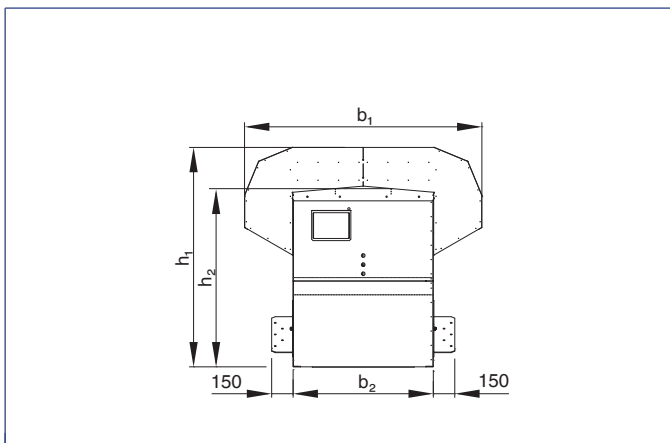
& Accessories

- ▶ Fan diagnosis system VD
- ▶ Volume flow rate measuring unit VME
- ▶ Shock pulse bearing monitoring ST1
- ▶ Flexible connectors
- ▶ Matching flange
- ▶ Equipotential bonding
- ▶ Cover grille (inlet side)
- ▶ Flow redresser
- ▶ Local isolator
- ▶ Frequency inverter
- ▶ Extract air and smoke extract controller

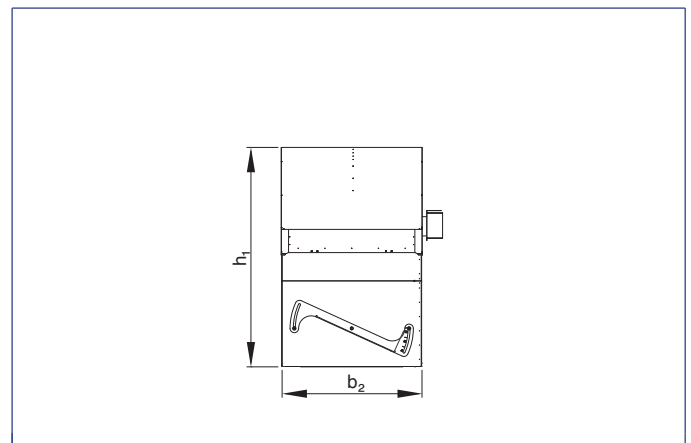
ISO Classification, standards and guidelines

- ▶ Temperature / time classification as per EN 12101 - Part 3
- ▶ For the temperature classes F200 to F400 as per the axial smoke exhaust fan used
- ▶ Declaration of performance (DoP)
- ▶ Snow load class SL 1000

BVDAX



BVDAX

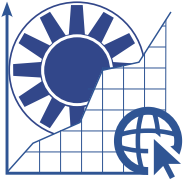


Dimensions [mm]

①	h1	h2	b1	b2
355	1176	947	1287	730
400	1176	947	1287	730
450	1176	947	1287	730
355	1376	1147	1287	730
400	1376	1147	1287	730
450	1376	1147	1287	730
500	1537	1258	1659	980
560	1537	1258	1659	980
630	1537	1258	1659	980
500	1818	1544	1659	980
560	1818	1544	1659	980
630	1818	1544	1659	980
710	2130	1772	2165	1300
800	2130	1772	2165	1300
900	2130	1772	2165	1300
710	2503	2145	2165	1300
800	2503	2145	2165	1300
900	2503	2145	2165	1300
1000	2675	2233	2605	1550
1120	2675	2233	2605	1550

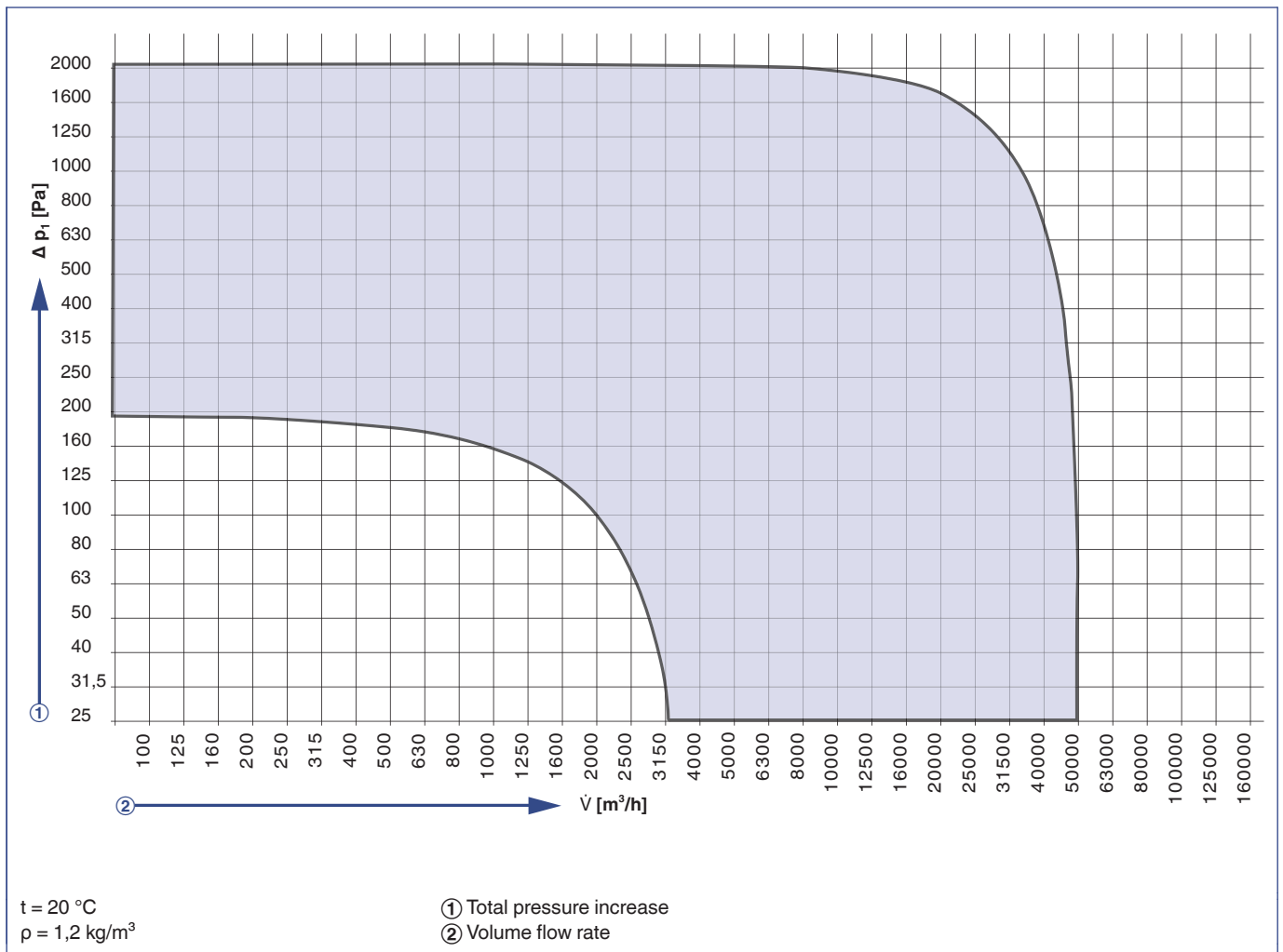
① Nominal size





For conveying smoke gases of the temperature class F600

BVW-D Performance Range



+ Features

- ▶ Casing and impeller made of sheet steel
- ▶ Protected by polyester resin-based powder coating, with bellmouth and motor fastening plate
- ▶ 6 sizes
- ▶ More than 35 types
- ▶ Volume flow rate V max. 50,000 m³/h
- ▶ Total pressure increase p1 max. 2,100 Pa

Application

- ▶ Roof-mounted smoke exhaust fan for free outlet
- ▶ Free inlet or connected on the inlet side
- ▶ Dual function (ventilation and smoke

extraction possible)

◊ Variants

- ▶ In temperature classes F400 and F600

& Accessories

- ▶ Fan diagnosis system VD
- ▶ Shock pulse bearing monitoring STI
- ▶ Steel roof base for smooth roofs
- ▶ Sound attenuating base
- ▶ Outlet box incl. cover grille and self-powered shut-off damper
- ▶ Flexible connectors
- ▶ Matching flange
- ▶ Equipotential bonding

- ▶ Cover grille (inlet side)
- ▶ Local isolator loose
- ▶ Insulated base plate
- ▶ Silicone-free type
- ▶ Frequency inverter (for ventilation mode only)
- ▶ Extract air and smoke extract controller

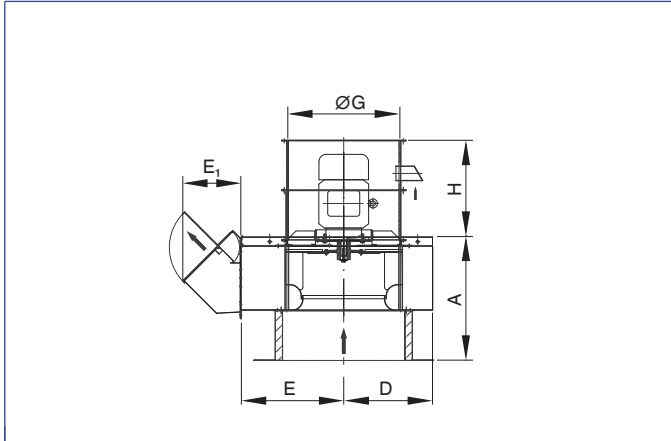
ISO Classification, standards and guidelines

- ▶ Temperature / time classification as per EN 12101 - Part 3
- ▶ F600 CE no.: 0761-CPR-0008 with declaration of performance (DoP)
- ▶ General building inspectorate licence no. Z-78.-11-127

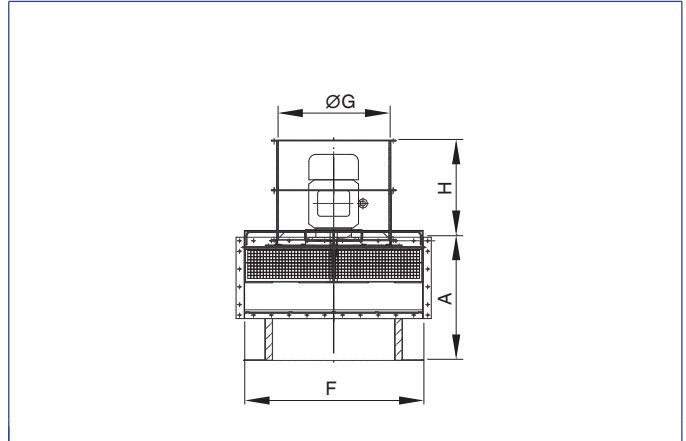




BVW-D



BVW-D



Dimensions [mm]

①	A	D	E	F	E1	ØG	H	③
315	295	316	415	632	200	400	375	92
355	295	356	455	712	225	400	675	125
400	325	401	500	802	255	400	375	165
500	401	501	600	1002	320	500	450	230
630	516	626	725	1252	400	500 ¹⁾ /800 ²⁾	425 ¹⁾ /680 ²⁾	385
710	566	701	800	1402	4500	500 ¹⁾ /800 ²⁾	425 ¹⁾ /680 ²⁾	475

¹⁾ Up to motor size 132

²⁾ Up to motor size 160

① Nominal size • ③ Max. weight [kg]

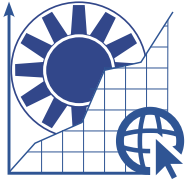


Smoke exhaust axial fans

	Specifications					
	BV(Z)AXN			BVAXO		
	8/56		6/9/12/56	AXO	9/27	10/50
Temperature classes						
F 200			●	●	●	●
F 300			●	●	●	●
F 400	●		●		●	●
F 600		●				
Installation type						
Outdoors	●	●	●	●	●	●
In the building in the fire area	●	●	●	●	●	●
In the building outside of the fire area	●	●	●	●	●	●
Motor type						
Single-speed	●	●	●	●	●	●
Dual-speed	●	●	●	●	●	●
Suitable for operation on a frequency inverter (in ventilation mode)	●	●	●	●	●	●
Suitable for operation on a frequency inverter (in smoke extract mode)	●	●	●		●	
Technical type						
Outlet guide vanes	●	●	●			
Adjustable impeller blades (at a standstill)			● Not F400			
Motor in airflow	●		●	●	●	●
Motor encased - not in airflow		●				
Motor cooling due to cooling air fan		●				
Reversing mode					●	●
Technical data						
Max. volume flow rate [m³/h]	550,000	320,000	230,000	250,000	170,000	140,000
Max. pressure [Pa]	4,500	4,000	2,500 (3150)	1,800 Pa	1,050	1,500
Max. drive capacity [kW]	315	315	132	90	45	75
Nominal sizes [mm]	550-2.000	550-1.800	315-1.600	400-1.600	315-1.600	315-1.250
Material						
Impeller	Steel	Steel	Aluminium	Aluminium	Steel	Steel
Casing	Steel	Steel	Steel	Steel	Steel	Steel
Accessories						
Roof cowl DAX (BVAX to NG 1120)	○		○	○	○	○
Fan diagnosis system VD	○	○	○	○	○	○
Volume flow rate measuring unit VME	○	○	○		○	
Shock pulse bearing monitoring STI	○	○	○	○	○	○
Acoustic and thermal insulation	○	○	○	○	○	○
Weather protection roof for acoustic and thermal insulation	○	○	○	○	○	○
Round silencers TSR (inlet and outlet side)	○	○	○	○	○	○
Round silencers TSR with interior core (inlet and outlet side)	○	○	○			
Extension duct	○	○	○	○	○	○
Inspection hatch	○	○	○	○	○	○
Self-powered shut-off damper	○	○	○	○	○	○
Flexible connectors	○	○	○	○	○	○
Matching flange	○	○	○	○	○	○
Equipotential bonding	○	○	○	○	○	○
Bellmouth	○	○	○	○	○	○

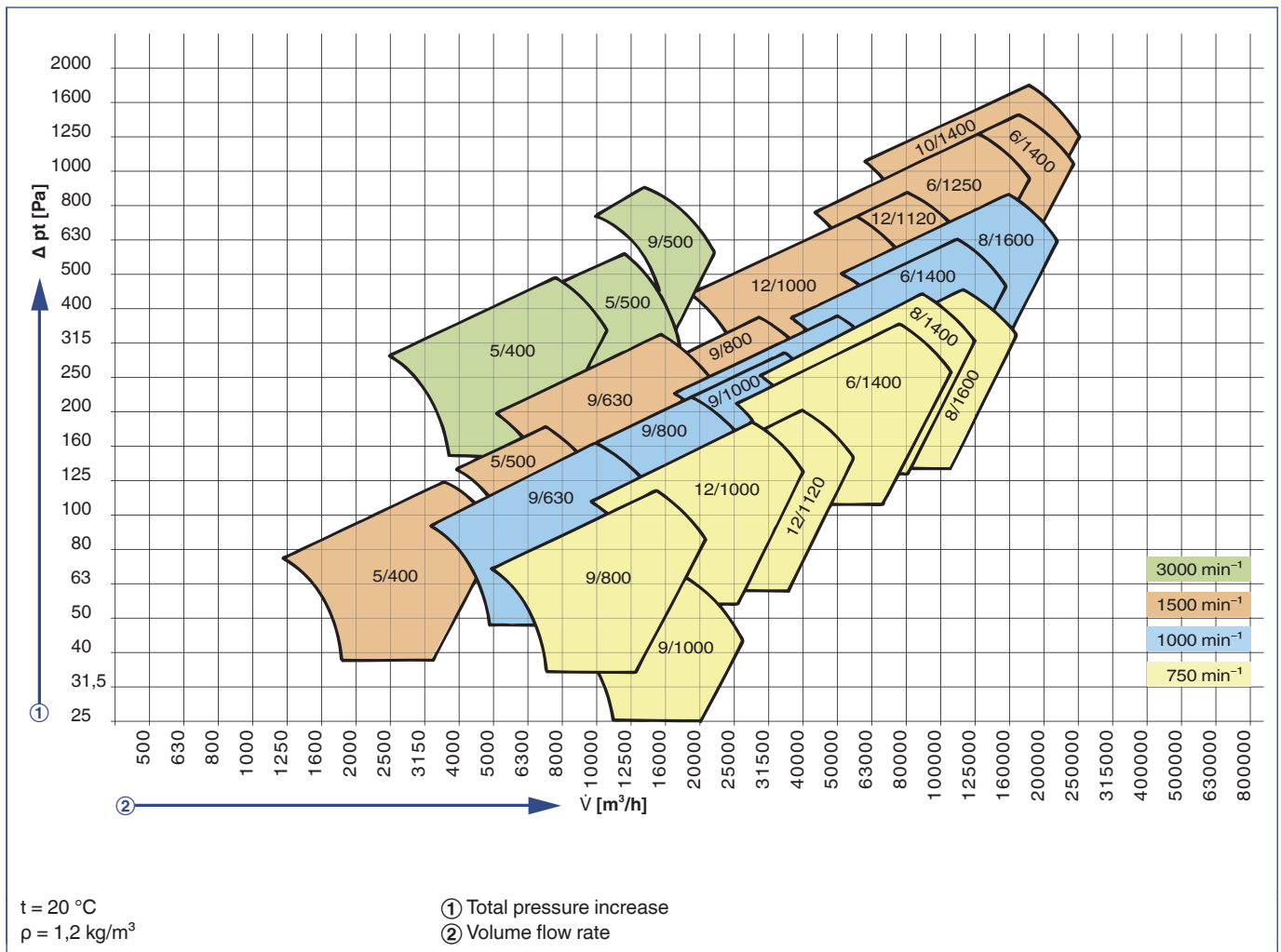


	Specifications					
	BV(Z)AXN			BVAXO		
	8/56		6/9/12/56	AXO	9/27	10/50
Cover grille (inlet and outlet side)	<input type="radio"/>	<input type="radio"/>	<input type="radio"/>	<input type="radio"/>	<input type="radio"/>	<input type="radio"/>
Diffuser	<input type="radio"/>	<input type="radio"/>	<input type="radio"/>	<input type="radio"/>	<input type="radio"/>	<input type="radio"/>
Diffuser with interior core	<input type="radio"/>	<input type="radio"/>	<input type="radio"/>			
Outlet duct with cover grille	<input type="radio"/>	<input type="radio"/>	<input type="radio"/>	<input type="radio"/>	<input type="radio"/>	<input type="radio"/>
Mounting feet	<input type="radio"/>	<input type="radio"/>	<input type="radio"/>	<input type="radio"/>	<input type="radio"/>	<input type="radio"/>
Brackets (for vertical assembly)	<input type="radio"/>	<input type="radio"/>	<input type="radio"/>	<input type="radio"/>	<input type="radio"/>	<input type="radio"/>
Spring anti-vibration mounts	<input type="radio"/>	<input type="radio"/>	<input type="radio"/>	<input type="radio"/>	<input type="radio"/>	<input type="radio"/>
Terminal box	<input checked="" type="radio"/>	<input checked="" type="radio"/>	<input checked="" type="radio"/>	<input checked="" type="radio"/>	<input checked="" type="radio"/>	<input checked="" type="radio"/>
Local isolator loose (for outside of fire area)	<input type="radio"/>	<input type="radio"/>	<input type="radio"/>	<input type="radio"/>	<input type="radio"/>	<input type="radio"/>
Angular wall ring with brackets (inlet and outlet side)	<input type="radio"/>	<input type="radio"/>	<input type="radio"/>	<input type="radio"/>	<input type="radio"/>	<input type="radio"/>
Cooling air fan		<input type="radio"/>				
Flexible connector for cooling air fan		<input type="radio"/>				
Weather protection roof for cooling air fan		<input type="radio"/>				
Silicone-free type	<input type="radio"/>	<input type="radio"/>	<input type="radio"/>	<input type="radio"/>	<input type="radio"/>	<input type="radio"/>
Extract air and smoke extract controller	<input type="radio"/>	<input type="radio"/>	<input type="radio"/>	<input type="radio"/>	<input type="radio"/>	<input type="radio"/>
Surface protection						
Corrosion protection category C2	<input checked="" type="radio"/>	<input checked="" type="radio"/>	<input checked="" type="radio"/>	<input checked="" type="radio"/>	<input checked="" type="radio"/>	<input checked="" type="radio"/>
Corrosion protection category C3	<input type="radio"/>	<input type="radio"/>	<input type="radio"/>	<input type="radio"/>	<input type="radio"/>	<input type="radio"/>
Corrosion protection category C4	<input type="radio"/>	<input type="radio"/>	<input type="radio"/>	<input type="radio"/>	<input type="radio"/>	<input type="radio"/>
Corrosion protection category C5	<input type="radio"/>	<input type="radio"/>	<input type="radio"/>	<input type="radio"/>	<input type="radio"/>	<input type="radio"/>
Explanation						
● - Standard						
○ - Optional						



For conveying smoke gases of the temperature class F300

BVAXO Performance Range



+ Features

- ▶ Compact size for installation even when space is tight.
- ▶ Casing available in all RAL colours
- ▶ Nine sizes
- ▶ Impeller's nominal diameter 400 to 1,600 mm
- ▶ Volume flow rate up to 250,000 m³/h
- ▶ Total pressure increase max. 1,800 Pa

Application

- ▶ For installation inside and outside of the fire zone.
- ▶ Suitable for free inlet / outlet or for pipeline installation in a horizontal and vertical style.

- ▶ Dual smoke extract and ventilation function.

◊ Variants

- ▶ Design as wall-mounted smoke exhaust fan with wall mounting plate and outlet casing with self-powered multileaf damper

& Accessories

- ▶ Fan diagnosis system VD
- ▶ Shock pulse bearing monitoring STI
- ▶ Acoustic and thermal insulation
- ▶ Weather protection roof for acoustic and thermal insulation
- ▶ Round silencers TSR (inlet and outlet side)
- ▶ Extension duct

- ▶ Inspection hatch
- ▶ Self-powered shut-off damper
- ▶ Flexible connectors
- ▶ Matching flange
- ▶ Equipotential bonding
- ▶ Bellmouth
- ▶ Cover grille (inlet and outlet side)
- ▶ Diffuser
- ▶ Outlet duct with cover grille
- ▶ Mounting feet
- ▶ Brackets (for vertical assembly)
- ▶ Spring anti-vibration mounts
- ▶ Terminal box
- ▶ Local isolator loose (for outside of fire area)
- ▶ Angular wall ring with brackets (inlet and outlet side)
- ▶ Silicone-free type





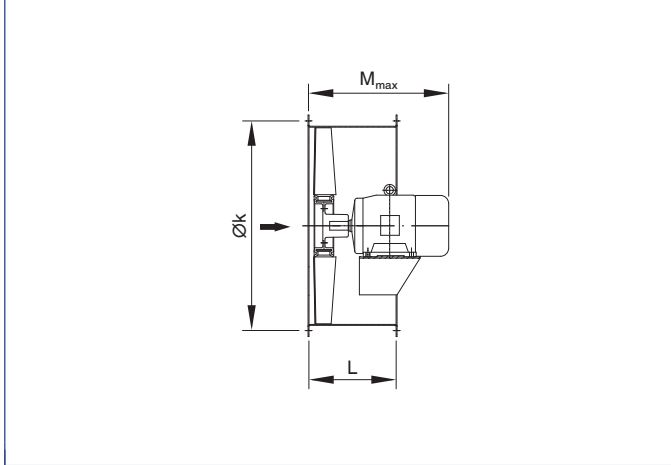
- ▶ Extract air and smoke extract controller
- ▶ Surface protection powder-coated and/or
- ▶ hot-dip galvanised in corrosion protection category C2 to C5M

ISO **Classification, standards and guidelines**

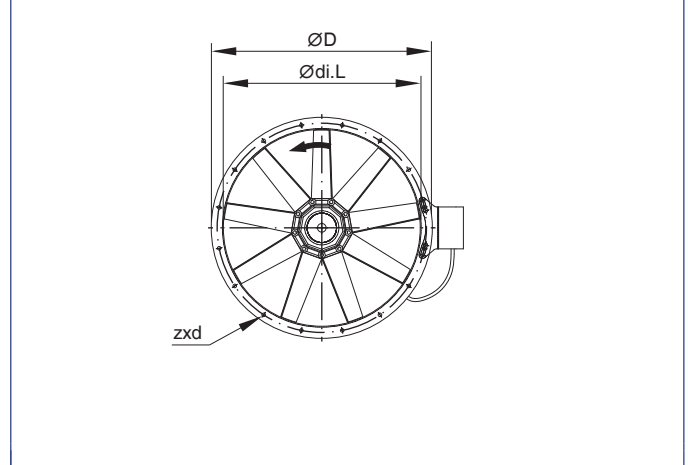
- ▶ EN 12101 - Part 3
- ▶ F300 CE no.: 0761-CPD-0013 incl.

declaration of performance (DoP)
Application approval no. Z-78.11-131
▶ F300 CE no.: 0761-CPD-0073 incl.
declaration of performance (DoP)
Application approval no. Z-78.11-191

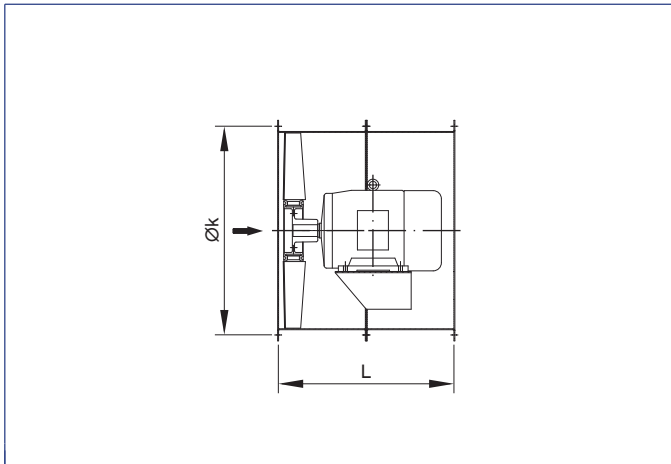
BVAXO to NG 1120



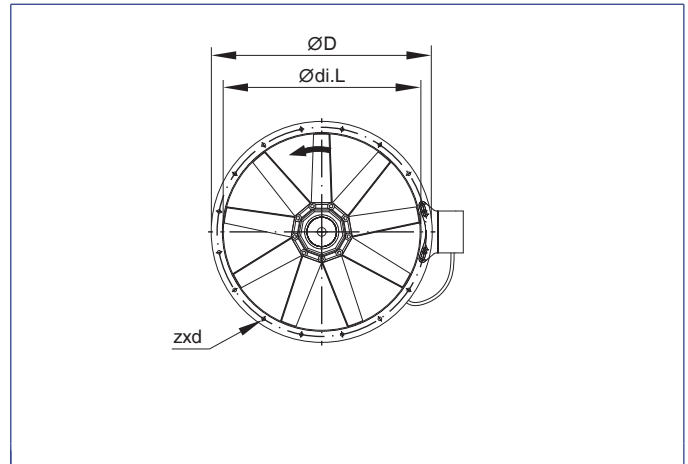
BVAXO to NG 1120



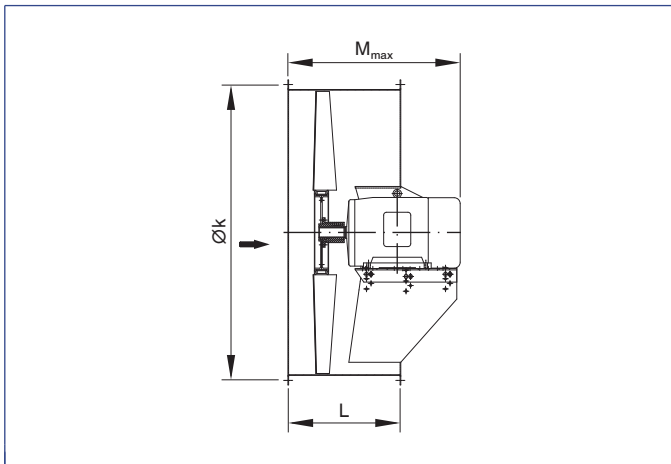
BVAXO to NG 1120 with extension duct



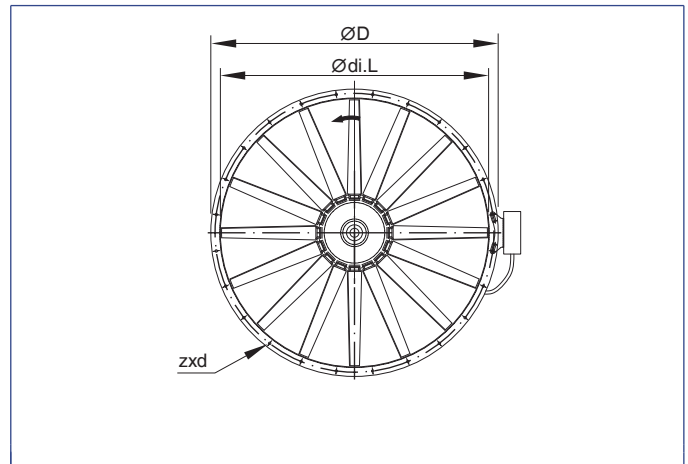
BVAXO to NG 1120 with extension duct



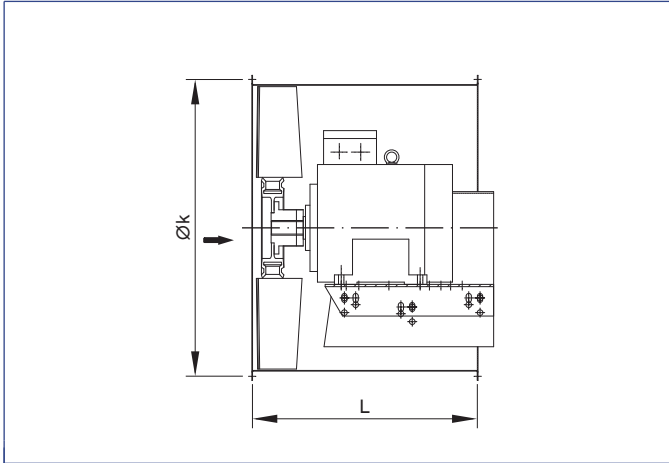
BVAXO as of NG 1250



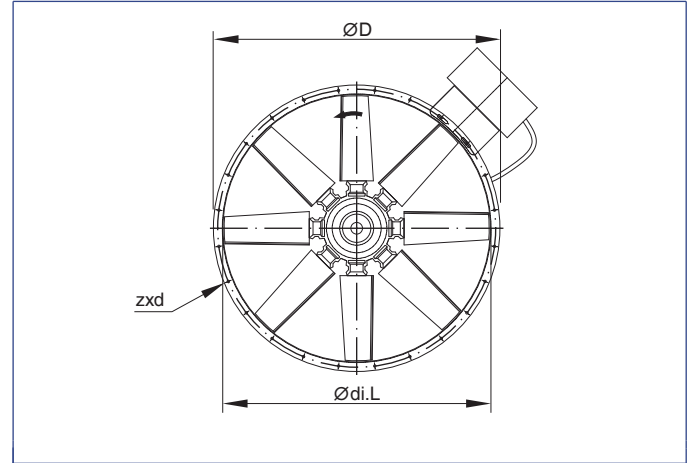
BVAXO as of NG 1250



BVAXO as of NG 1250 with extension duct



BVAXO as of NG 1250 with extension duct

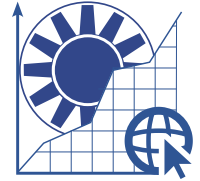
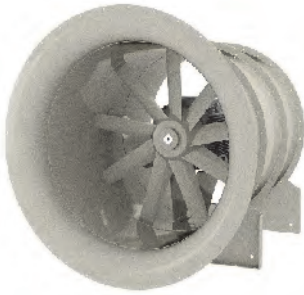


Dimensions [mm]

①	②	Ø clear width	Øk	ØD	zxd	L	M _{max}	③
315	71-80	320	356	386	8 x 9.5	150	265	6
400	71-90	401	438	468	12 x 9.5	188	348	11
	100	401	438	468	12 x 9.5	376	390	16
500	80-100	504	541	571	12 x 9.5	225	570	16
	90-132	504	541	571	12 x 9.5	450	451	22
630	90-112	634	674	712	16 x 11.5	286	595	30
	132	634	674	712	16 x 11.5	572	575	29
800	100-132	797	837	875	24 x 11.5	350	760	50
	160	797	837	875	24 x 11.5	700	810	70
1000	132-180	1003	1043	1081	24 x 11.5	415	730	85
	200	1003	1043	1081	24 x 11.5	830	770	105
1120	132-200	1124	1174	1214	24 x 11.5	450	825	110
1250	160-225	1261	1311	1351	24 x 11.5	500	⊗	⊗
	250-280	1261	1311	1351	24 x 11.5	100	⊗	⊗
1400	180-225	1415	1465	1545	24 x 11.5	560	⊗	⊗
	250-315	1415	1465	1545	24 x 11.5	1120	⊗	⊗
1600	180-225	1587	1637	1717	32 x 11.5	630	⊗	⊗
	250-315	1587	1637	1717	32 x 11.5	1260	⊗	⊗

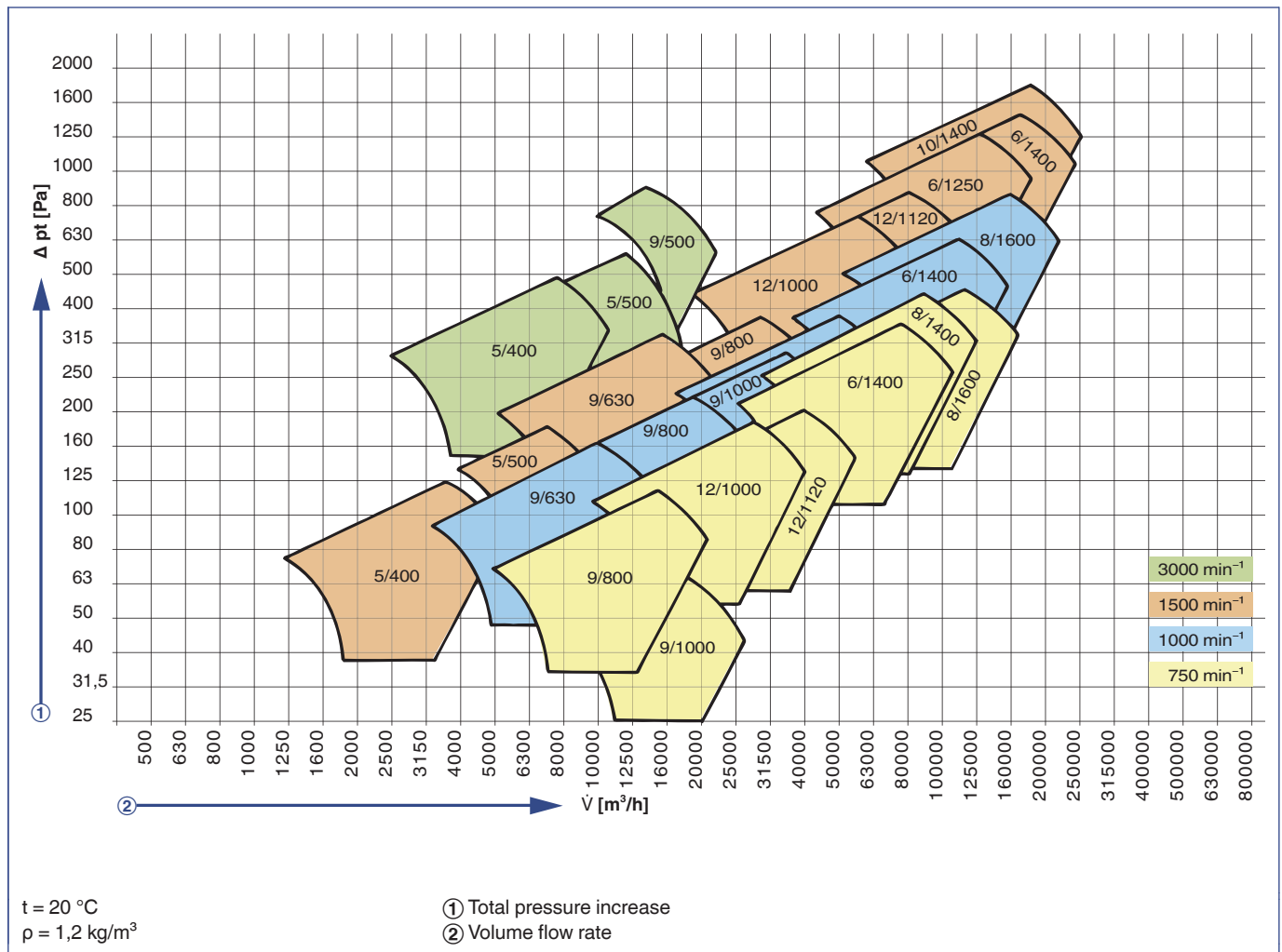
- ① Nominal size, an extension duct may be needed for different sizes in the case of vibration-dampened installation •
- ② Motor size B3 style •
- ③ Weight without motor (approx.) [kg] •
- ⊗ Upon request





For conveying smoke gases of the temperature class F400

BVAXO Performance Range



+ Features

- ▶ Compact size for installation even when space is tight.
- ▶ Casing available in all RAL colours
- ▶ 13 sizes
- ▶ Impeller's nominal Ø 315 to 1,600 mm
- ▶ Volume flow rate V max. 170,000 m³/h
- ▶ Total pressure increase Δpt max. 1,050 Pa

X Application

- ▶ For installation inside and outside of the fire zone.
- ▶ Suitable for free inlet / outlet or for pipeline installation in a horizontal and vertical style.
- ▶ Dual smoke extract and ventilation function.

& Accessories

- ▶ Fan diagnosis system VD
- ▶ Volume flow rate measuring unit VME
- ▶ Shock pulse bearing monitoring STI
- ▶ Acoustic and thermal insulation
- ▶ Weather protection roof for acoustic and thermal insulation
- ▶ Round silencers TSR (inlet and outlet side)
- ▶ Extension duct
- ▶ Inspection hatch
- ▶ Self-powered shut-off damper
- ▶ Flexible connectors
- ▶ Matching flange
- ▶ Equipotential bonding
- ▶ Bellmouth
- ▶ Cover grille (inlet and outlet side)

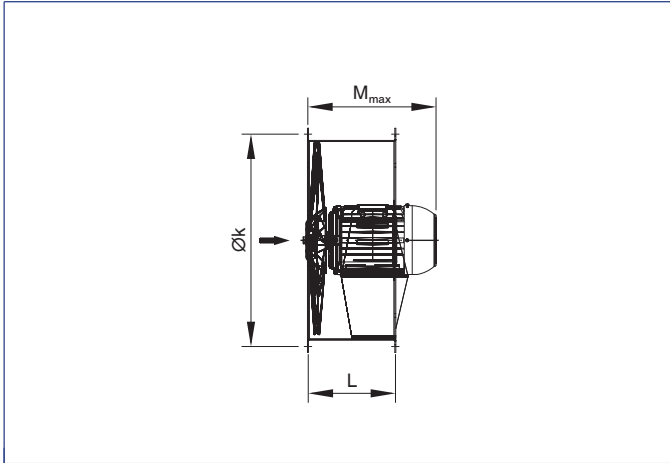
- ▶ Diffuser
- ▶ Outlet duct with cover grille
- ▶ Wall mounting plate
- ▶ Louvre box
- ▶ Mounting feet
- ▶ Brackets (for vertical assembly)
- ▶ Spring anti-vibration mounts
- ▶ Local isolator loose (for assembly outside of the fire area)
- ▶ Angular wall ring with brackets (inlet and outlet side)
- ▶ Silicone-free type
- ▶ Extract air and smoke extract controller
- ▶ Surface protection powder-coated and/or hot-dip galvanised in corrosion protection category C2 to C5M



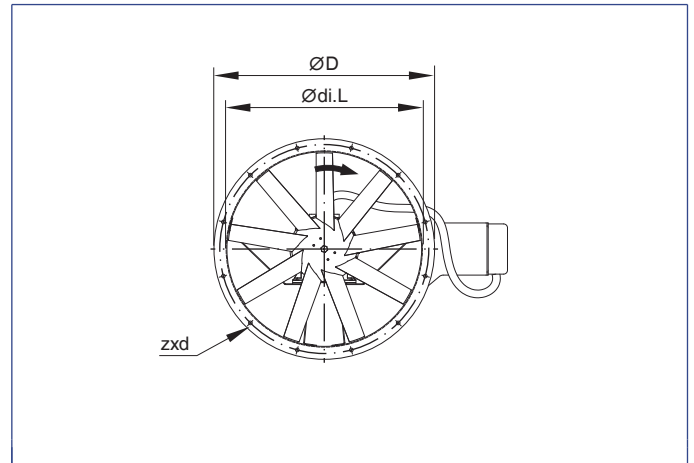
ISO Classification, standards and guidelines

- ▶ Temperature / time classification as per EN 12101 - Part 3
- ▶ F400 CE no.: 0761-CPR-0491 with declaration of performance (DoP)

AXO 9/27



AXO 9/27



Dimensions [mm]

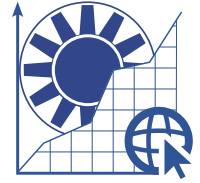
①	②	Ø clear width	Øk	ØD	zxd	L	M _{max}
315	71-80	320	356	386	8 x 9.5	150	265
400	71-90	401	438	468	12 x 9.5	188	348
	100	401	438	468	12 x 9.5	376	390
500	80-100	504	541	571	12 x 9.5	225	570
	90-132	504	541	571	12 x 9.5	450	451
630	90-112	634	674	712	16 x 11.5	286	595
	132	634	674	712	16 x 11.5	572	575
800	100-132	797	837	875	24 x 11.5	350	760
	160	797	837	875	24 x 11.5	700	810
1000	132-180	1003	1043	1081	24 x 11.5	415	730
	200	1003	1043	1081	24 x 11.5	830	770
1120	132-200	1124	1174	1214	24 x 11.5	450	825
1250	250-280	1261	1311	1351	24 x 11.5	500	⊗
1400	250-315	1415	1465	1545	24 x 11.5	560	⊗
1600	250-315	1587	1637	1717	32 x 11.5	630	⊗

① Nominal size, an extension duct may be needed for different sizes in the case of vibration-dampened installation •

② Motor size B3 style •

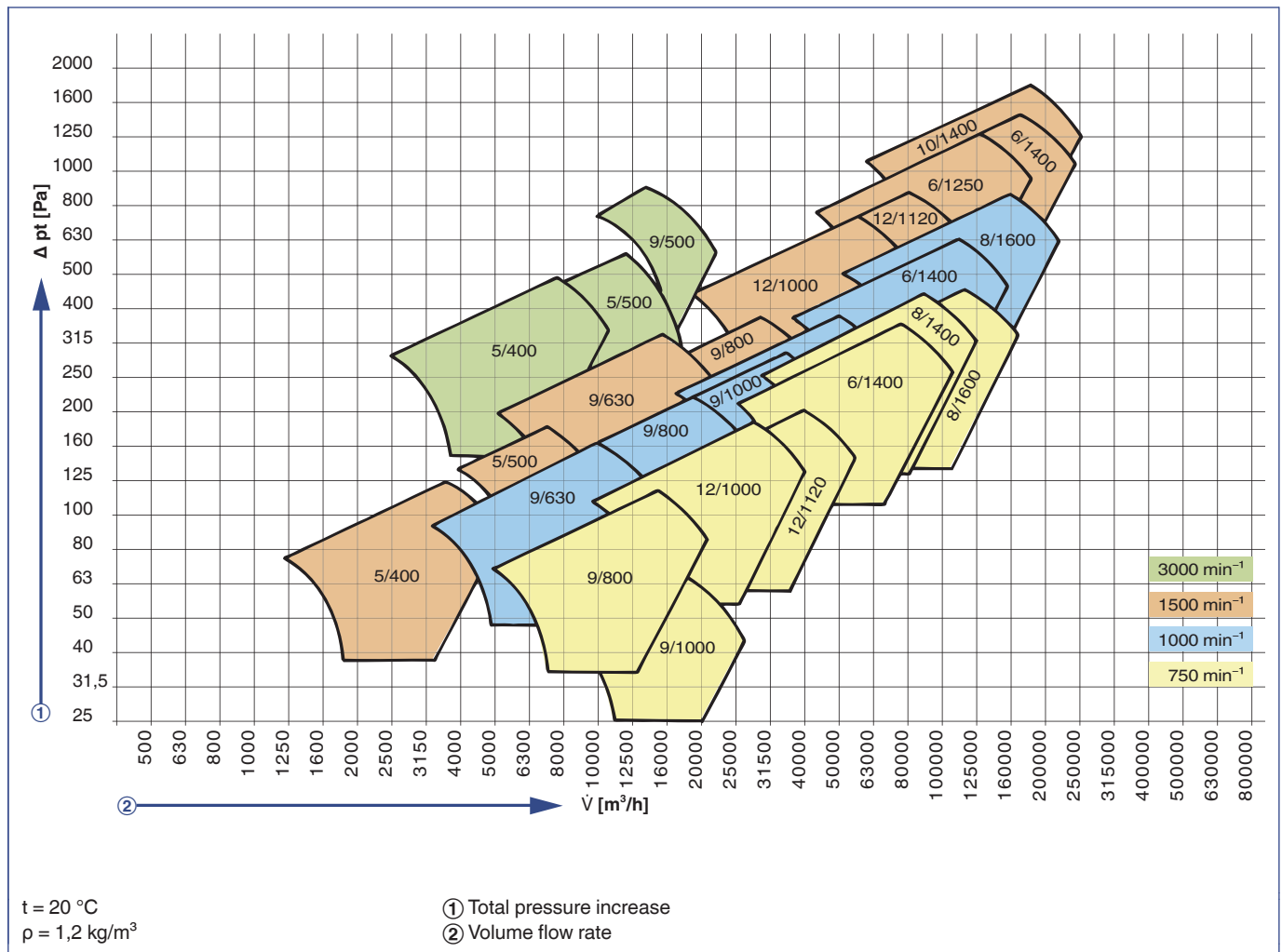
⊗ Upon request





For conveying smoke gases of the temperature class F400

BVAXO Performance Range



+ Features

- ▶ Impellers with different blade pitch angles are used depending on the size and the desired output; please specify when ordering.
- ▶ Compact size enables installation even when space is tight.
- ▶ Motors can come with thermal contacts or a PTC thermistor
- ▶ Casing available in all RAL colours
- ▶ Also available with acoustic insulation.
- ▶ Efficiency up to 63%
- ▶ 15 sizes
- ▶ Impeller's nominal Ø 315 to 1,250 mm
- ▶ Volume flow rate V, max. 140,000 m³/h

- ▶ Total pressure increase pt max. 1,500 Pa
- ▶ M style - with direct drive. Impeller assembled directly on the motor shaft.

X Application

- ▶ Fan for reversible operation.
- ▶ Installation inside and outside of the fire zone without additional cooling.

& Accessories

- ▶ Fan diagnosis system VD
- ▶ Shock pulse bearing monitoring STI
- ▶ Round silencers TSR (inlet and outlet side)
- ▶ Extension duct

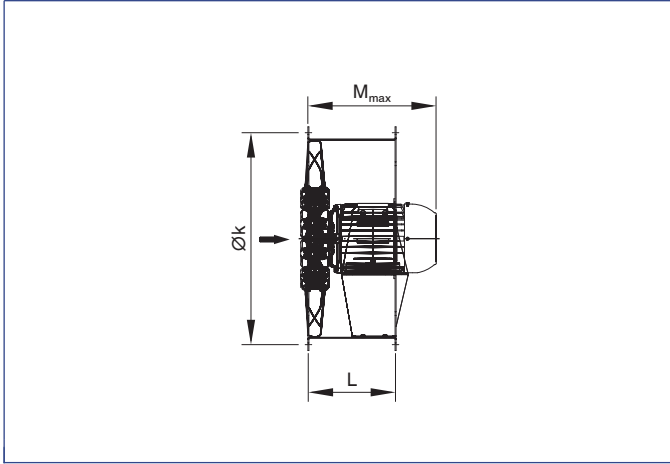
- ▶ Inspection hatch
- ▶ Flexible connectors
- ▶ Matching flange
- ▶ Equipotential bonding
- ▶ Bellmouth
- ▶ Cover grille (inlet and outlet side)
- ▶ Diffuser
- ▶ Outlet duct with cover grille
- ▶ Mounting feet
- ▶ Spring anti-vibration mounts
- ▶ Terminal box
- ▶ Local isolator loose (for outside of fire area)
- ▶ Angular wall ring with brackets (inlet and outlet side)
- ▶ Silicone-free type
- ▶ Extract air and smoke extract controller
- ▶ Surface protection category C3 to C5



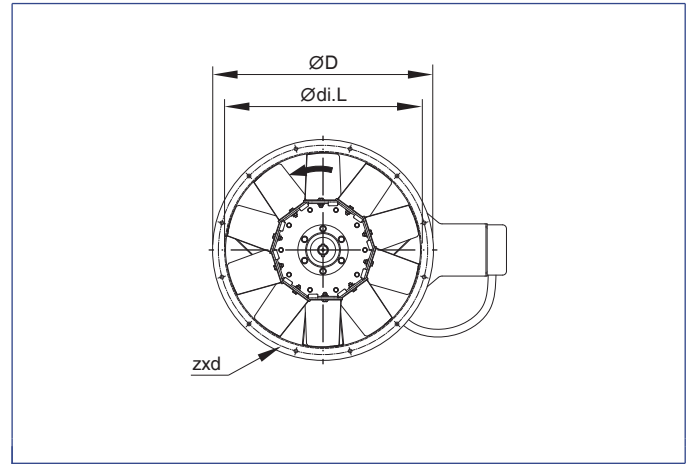
ISO Classification, standards and guidelines

- ▶ Temperature / time classification as per EN 12101 - Part 3
- ▶ F400 CE no.: CE 0761-CPR-0168 with declaration of performance (DoP)

BVAXO 10/50



BVAXO 10/50



Dimensions [mm]

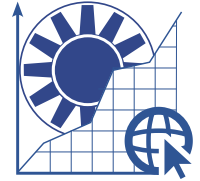
①	②	Ø clear width	Øk	ØD	zxd	L	M _{max}
315	71-80	320	356	386	8 x 9.5	150	265
400	71-90	401	438	468	12 x 9.5	188	348
	100	401	438	468	12 x 9.5	376	390
500	80-100	504	541	571	12 x 9.5	225	570
	90-132	504	541	571	12 x 9.5	450	451
630	90-112	634	674	712	16 x 11.5	286	595
	132	634	674	712	16 x 11.5	572	575
800	100-132	797	837	875	24 x 11.5	350	760
	160	797	837	875	24 x 11.5	700	810
1000	132-180	1003	1043	1081	24 x 11.5	415	730
	200	1003	1043	1081	24 x 11.5	830	770
1120	132-200	1124	1174	1214	24 x 11.5	450	825
1250	250-280	1261	1311	1351	24 x 11.5	500	⊗
1400	250-315	1415	1465	1545	24 x 11.5	560	⊗
1600	250-315	1587	1637	1717	32 x 11.5	630	⊗

① Nominal size, an extension duct may be needed for different sizes in the case of vibration-dampened installation •

② Motor size B3 style •

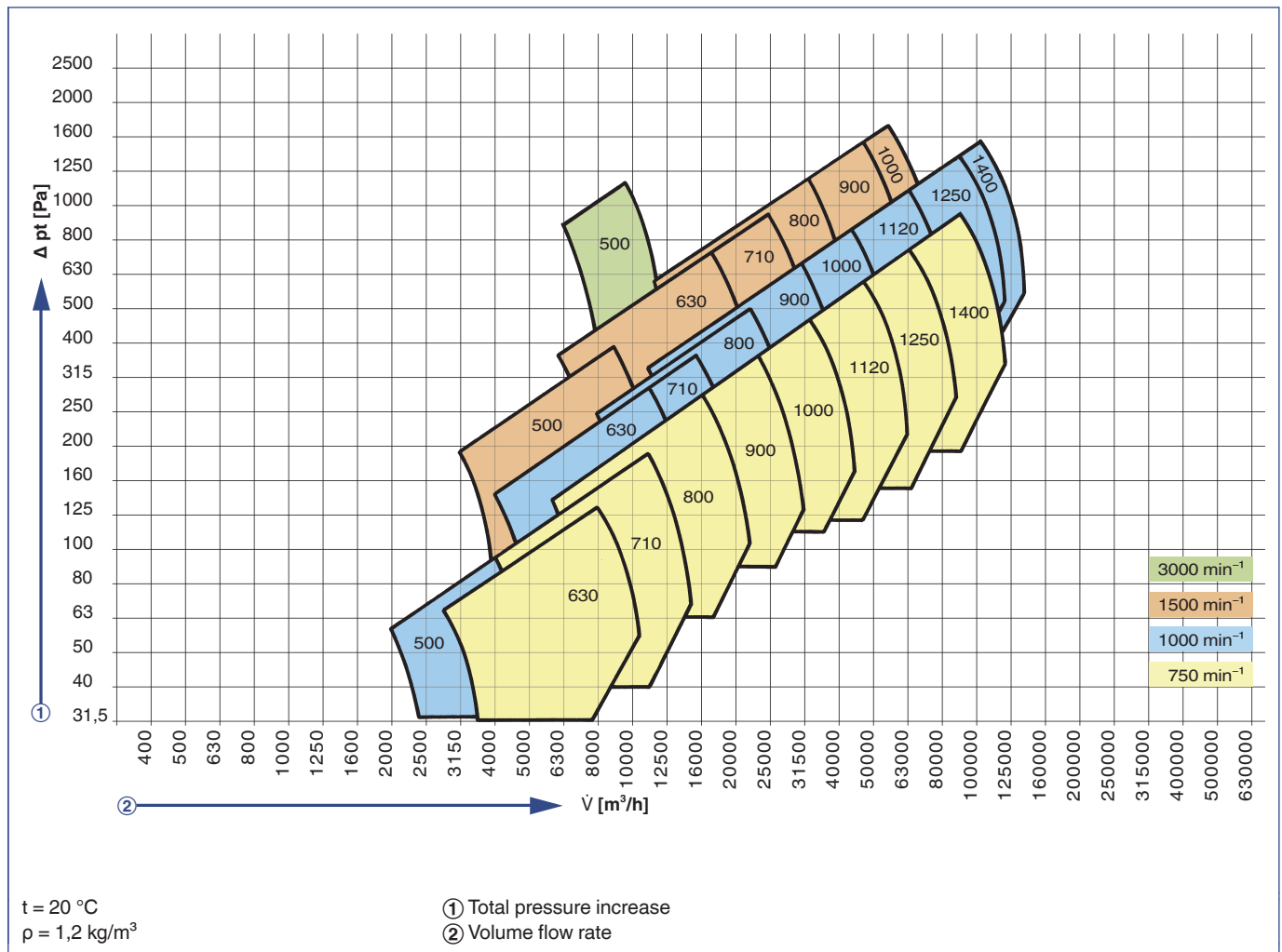
⊗ Upon request





For conveying smoke gases of temperature classes F400 and F600

BVAXN 8/56 Performance Range



+ Features

- ▶ Operation on a frequency inverter also permissible in the event of smoke extraction, so ideal for
- ▶ multiple-area systems (as of an NG 630 fan and a 132 motor size)
- ▶ Large volume flow rates can be realised with small nominal diameters due to high permissible circumferential speeds
- ▶ Powder coating possible in all RAL colours
- ▶ Can be installed in the fire zone if the cooling system is provided by the customer.
- ▶ Optimised outlet guide vanes to increase the pressure coefficients
- ▶ Low-noise operation due to low

circumferential speeds and thus high pressure coefficients.

- ▶ 12 sizes
- ▶ Impeller's nominal Ø 500 to 1,800 mm
- ▶ Volume flow rate V max. 320,000 m³/h
- ▶ Total pressure increase pt max 4,000

Application

- ▶ For installation inside and outside of the fire zone.
- ▶ Suitable for free inlet / outlet or for pipeline installation in a horizontal and vertical style.
- ▶ Dual smoke extract and ventilation function.

& Accessories

- ▶ Fan diagnosis system VD
- ▶ Volume flow rate measuring unit VME
- ▶ Shock pulse bearing monitoring STI
- ▶ Acoustic and thermal insulation
- ▶ Weather protection roof for acoustic and thermal insulation
- ▶ Round silencers TSR (inlet and outlet side) for F600 only
- ▶ Round silencers TSR with interior core (inlet and outlet side)
- ▶ Extension duct
- ▶ Inspection hatch
- ▶ Self-powered shut-off damper
- ▶ Flexible connectors

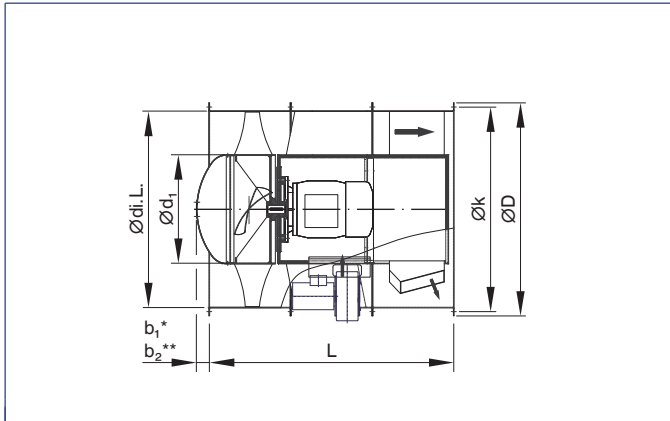


- ▶ Matching flange
- ▶ Equipotential bonding
- ▶ Bellmouth
- ▶ Cover grille (inlet and outlet side)
- ▶ Diffuser
- ▶ Diffuser with interior core
- ▶ Outlet duct with cover grille
- ▶ Mounting feet
- ▶ Brackets (for vertical assembly)
- ▶ Spring anti-vibration mounts
- ▶ Terminal box (for assembly outside of the fire area)
- ▶ Local isolator loose (for assembly outside of the fire area)
- ▶ Angular wall ring with brackets (inlet and outlet side)
- ▶ Cooling air fan
- ▶ Flexible connector for cooling air fan
- ▶ Weather protection roof for cooling air fan
- ▶ Silicone-free type
- ▶ Extract air and smoke extract controller
- ▶ Corrosion protection category up to C5M possible

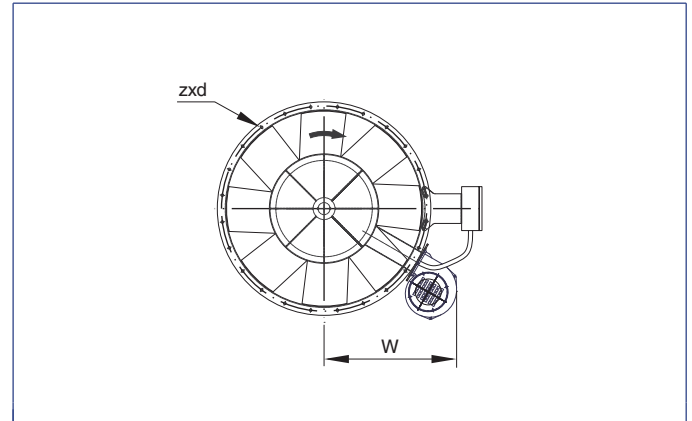
ISO Classification, standards and guidelines

- ▶ Temperature / time category as per EN 12101 - Part 3:
- ▶ F600 CE no.: 0761-CPD-0201 or 0761-CPR-0392 for operation on a frequency inverter in the case of smoke extraction, incl. declaration of performance (DoP)
- ▶ F400 CE no.: 0761-CPR-0494
- ▶ General building inspectorate licence no. Z-78.11-130

BVAXN 8/56



BVAXN 8/56



Dimensions [mm]

①	Ø clear width	Øk	ØD	zxd	L***	Ød ₁	b1*	b2**	~W	②	③
450	450	487	517	12 x 9.5	600	250	40	55	580	100	60
500	504	541	571	12 x 9.5	675	280	30	45	620	112	70
560	565	605	643	16 x 11.5	726	316	20	35	640	112	90
630	634	674	712	16 x 11.5	858	355	10	30	665	132	110
710	711	751	789	16 x 11.5	915	397	0	40	610	160	150
800	797	837	875	24 x 11.5	1050	445	0	30	655	180	210
900	894	934	972	24 x 11.5	1119	498	75	105	690	200	260
1000	1003	1043	1081	24 x 11.5	1245	560	0	40	765	225	320
1120	1124	1174	1253	24 x 11.5	1350	630	0	0	935	250	500
1250	1261	1311	1391	24 x 11.5	1500/1630	710	0	0	880	280	700
1400	1415	1465	1545	24 x 11.5	1680/2040	790	0	94	970	315	945
1600	1587	1637	1717	32 x 11.5	1890/2110	890	0	0	⊗	315	1240
1800	1780	1830	1910	32 x 11.5	2130	1000	0	0	⊗	315	1450

* Blade pitch angle 0-15°

** Blade pitch angle 16-35°

*** Depending on the motor size

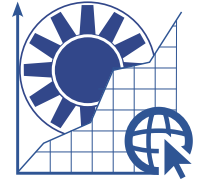
① Nominal size; an extension duct may be needed for different sizes in the case of vibration-dampened installation •

② Max. motor size •

③ Weight without motor (approx.) [kg] •

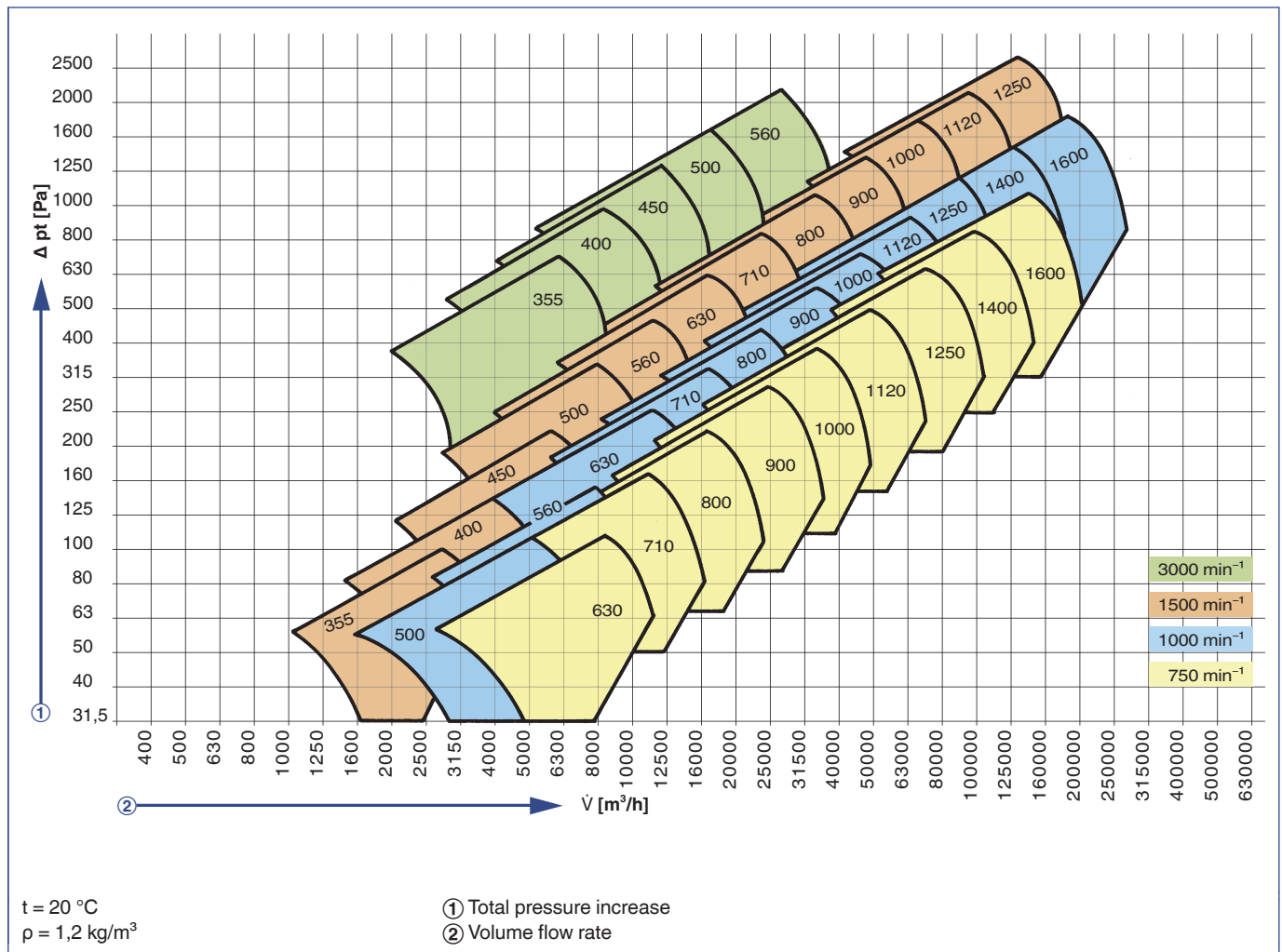
⊗ Upon request





For conveying smoke gases of temperature classes F200, F300 and F400

BVAXN 12/56 Performance Range



+ Features

- ▶ For installation in the fire zone without additional cooling.
- ▶ Low-noise operation due to low circumferential speeds caused by high pressure coefficients.
- ▶ Optimised outlet guide vanes to increase the pressure coefficients.
- ▶ Extensive adjustments to the relevant operating point and subsequent motor rating corrections can be made by steplessly adjusting the impeller blades without any need to disassemble the impeller (the impeller blades cannot be adjusted in the case of the F400 temperature class).
- ▶ The desired operating point is optimised to

achieve the best possible efficiency using a variable number of blades (6 / 9 / 12).

- ▶ Aluminium impeller; impeller's nominal diameter 315 to 1,600 mm
Volume flow rate max. 230,000 m³/h
Total pressure max. 2,500 Pa
15 sizes
- ▶ Casing available in all RAL colours

X Application

- ▶ For installation inside and outside of the fire zone.
- ▶ Suitable for free inlet / outlet or for pipeline installation in a horizontal and vertical style.
- ▶ Dual smoke extract and ventilation function.

◊ Variants

- ▶ Temperature class F200 (nominal size: 355 to 1250)
- ▶ Temperature class F300 (nominal size: 315 to 1600)
- ▶ Temperature class F400 (nominal size: 315 to 1400)
- ▶ Design as wall-mounted smoke exhaust fan with wall mounting plate and outlet casing with self-powered multileaf damper

& Accessories

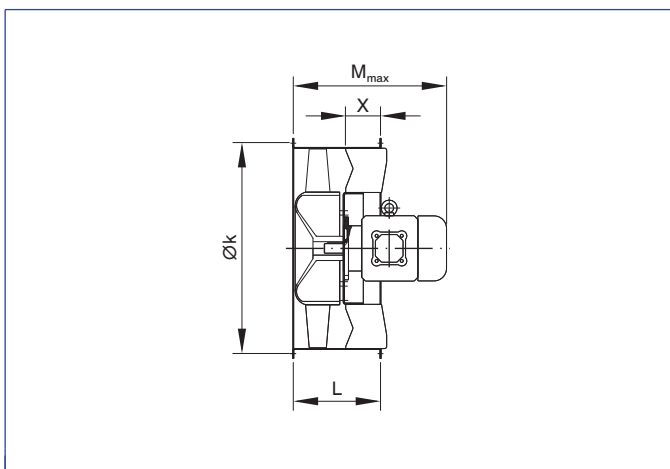
- ▶ Roof cowl DAX (BVAX to NG 1120)
- ▶ Fan diagnosis system VD
- ▶ Volume flow rate measuring unit VME



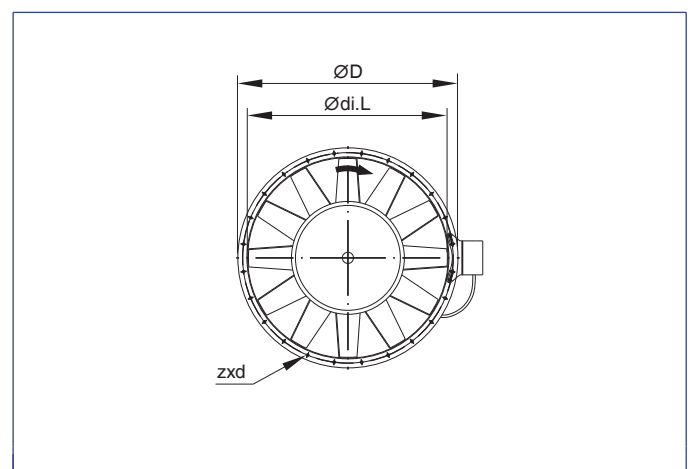
- ▶ Shock pulse bearing monitoring STI
 - ▶ Acoustic and thermal insulation
 - ▶ Weather protection roof for acoustic and thermal insulation
 - ▶ Round silencers TSR (inlet and outlet side)
 - ▶ Round silencers TSR with interior core (inlet and outlet side)
 - ▶ Extension duct
 - ▶ Inspection hatch
 - ▶ Self-powered shut-off damper
 - ▶ Flexible connectors
 - ▶ Matching flange
 - ▶ Equipotential bonding
 - ▶ Bellmouth
 - ▶ Cover grille (inlet and outlet side)
 - ▶ Diffuser
 - ▶ Diffuser with interior core
 - ▶ Outlet duct with cover grille
 - ▶ Wall mounting plate
- ▶ Louvre box
 - ▶ Mounting feet
 - ▶ Brackets (for vertical assembly)
 - ▶ Spring anti-vibration mounts
 - ▶ Local isolator loose (for assembly outside of the fire area)
 - ▶ Angular wall ring with brackets (inlet and outlet side)
 - ▶ Silicone-free type
 - ▶ Extract air and smoke extract controller
 - ▶ Surface protection powder-coated and/or hot-dip galvanised in corrosion protection category C2 to C5M
- ISO** **Classification, standards and guidelines**

 - ▶ For conveying smoke gases of temperature classes F200, F300 and F400
- ▶ Temperature / time classification as per EN 12101 - Part 3:
F200 CE no.: 0761-CPD-0009, incl. declaration of performance (DoP)
General building inspectorate licence no. Z-78.11-128
 - ▶ F300 CE no.: 0761-CPD-0010, or 0761-CPR-0492 for operation on a frequency inverter in the case of smoke extraction, incl. declaration of performance (DoP)
General building inspectorate licence no. Z-78.11-128
 - ▶ F400 CE no.: 0761-CPD-0011, or 0761-CPR-0493 for operation on a frequency inverter in the case of smoke extraction, incl. declaration of performance (DoP)
General building inspectorate licence no. Z-78.11-128

BVAXN 12/56



BVAXN 12/56



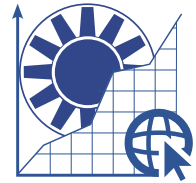
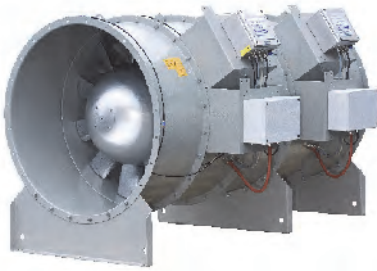
Dimensions [mm]

①	Ø clear width	Øk	ØD	Zxd	L	X	M _{max}	Weight without motor (approx. kg)
315	320	356	386	8 x 9.5	150	71	320	6.5
355	359	395	425	8 x 9.5	165	77	370	8
400	401	438	468	12 x 9.5	188	88	430	12
450	450	487	517	12 x 9.5	200	88	440	14
500	504	541	571	12 x 9.5	225	100	540	18
560	565	605	643	16 x 11.5	242	100	560	26
630	634	674	712	16 x 11.5	286	128	570	33
710	711	751	789	16 x 11.5	305	128	700	45
800	797	837	875	24 x 11.5	350	150	780	56
900	894	934	972	24 x 11.5	373	149	930	74
1000	1003	1043	1081	24 x 11.5	415	165	960	93
1120	1124	1174	1214	24 x 11.5	450	170	1200	120
1250	1261	1311	1351	24 x 11.5	500	185	1230	145
1400	1415	1465	1545	24 x 11.5	560	204	1020	460
1600	1587	1637	1717	32 x 11.5	630	230	1070	570

① Nominal size, up to size 1250, an extension duct may sometimes be needed in the case of vibration-dampened installation •

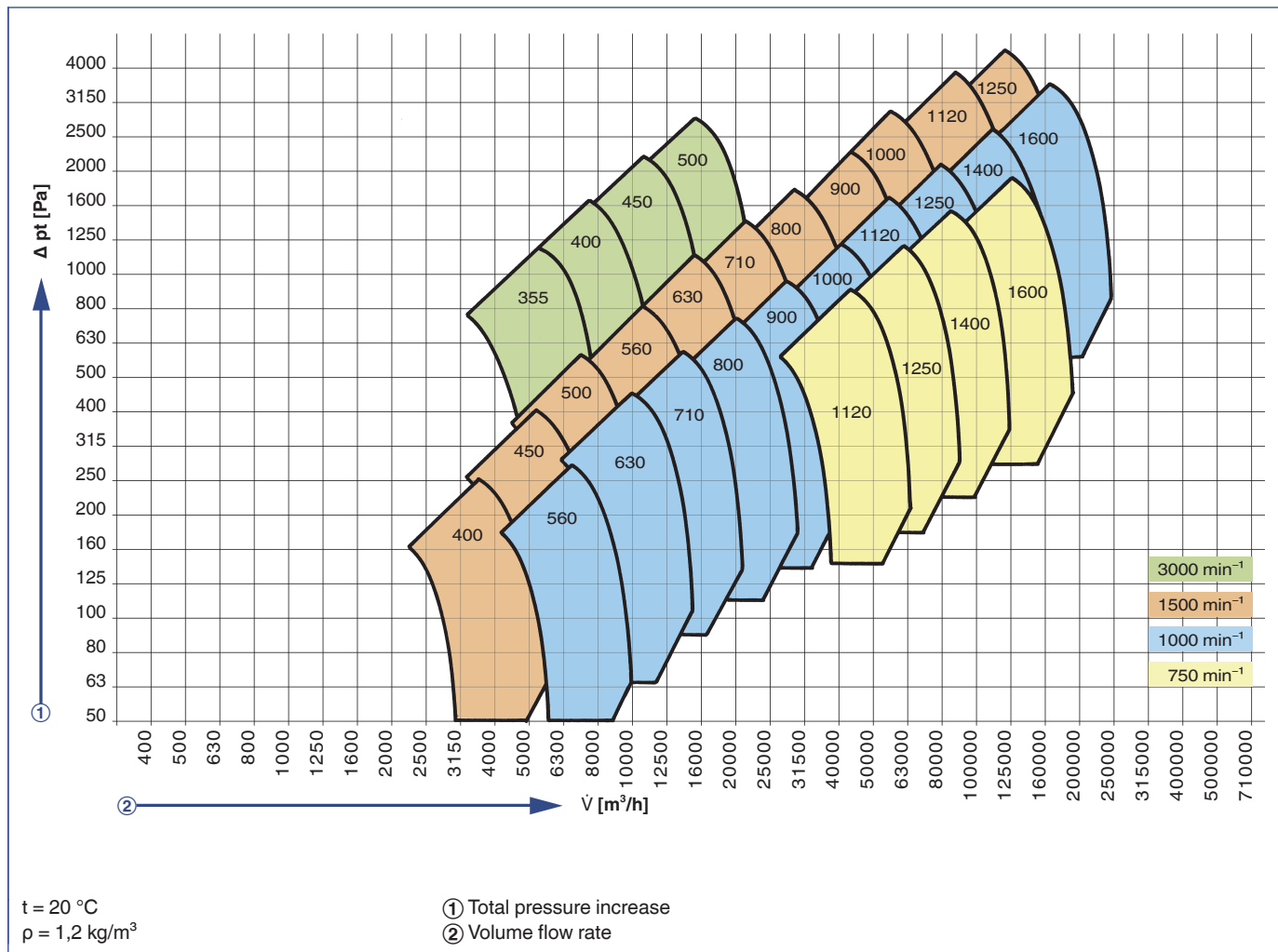
③ Weight without motor (approx.) [kg] •





For conveying smoke gases of temperature classes F200, F300 and F400

BVZAXN 12/56 Performance Range



+ Features

- ▶ For installation in the fire zone without additional cooling.
- ▶ Low-noise operation due to low circumferential speeds and high pressure coefficients.
- ▶ Optimised outlet guide vanes to increase the pressure coefficients.
- ▶ Extensive adjustments to the relevant operating point and subsequent motor rating corrections can be made by steplessly adjusting the impeller blades without any need to disassemble the impeller (the impeller blades cannot be adjusted in the case of the F400 temperature class).

- ▶ The desired operating point is optimised to achieve the best possible efficiency using a variable number of blades (6 / 9 / 12).
- ▶ 15 sizes
- ▶ Impeller's nominal diameter 315 to 1,600 mm
- ▶ Volume flow rate max. 230,000 m³/h
- ▶ Total pressure max. 3,150 Pa
- ▶ Casing available in all RAL colours

- ▶ Dual smoke extract and ventilation function.
- ▶ Based on two fans connected in series, suitable for extracting smoke from underground car parks and extract air (66% redundancy in emergency mode)

◊ Variants

- ▶ Temperature class F200 / F300 / F400

X Application

- ▶ For installation inside and outside of the fire zone.
- ▶ Suitable for free inlet / outlet or for pipeline installation in a horizontal and vertical style.

& Accessories

- ▶ Fan diagnosis system VD
- ▶ Volume flow rate measuring unit VME
- ▶ Shock pulse bearing monitoring STI
- ▶ Acoustic and thermal insulation



- ▶ Weather protection roof for acoustic and thermal insulation
- ▶ Round silencers TSR (inlet and outlet side)
- ▶ Round silencers TSR with interior core (inlet and outlet side)
- ▶ Extension duct
- ▶ Inspection hatch
- ▶ Self-powered shut-off damper
- ▶ Flexible connectors
- ▶ Matching flange
- ▶ Equipotential bonding
- ▶ Bellmouth
- ▶ Cover grille (inlet and outlet side)
- ▶ Diffuser
- ▶ Diffuser with interior core
- ▶ Outlet duct with cover grille
- ▶ Mounting feet
- ▶ Brackets (for vertical assembly)

- ▶ Spring anti-vibration mounts
- ▶ Terminal box
- ▶ Local isolator loose (for outside of fire area)
- ▶ Angular wall ring with brackets (inlet and outlet side)
- ▶ Silicone-free type
- ▶ Extract air and smoke extract controller
- ▶ Surface protection powder-coated and/or hot-dip galvanised in corrosion protection category C2 to C5M

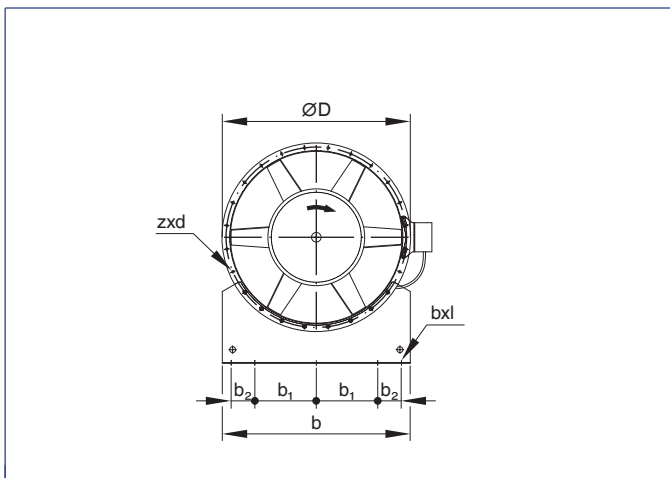
ISO **Classification, standards and guidelines**

- ▶ For conveying smoke gases of the temperature classes F200, F300 and F400
- ▶ Temperature / time classification as per EN

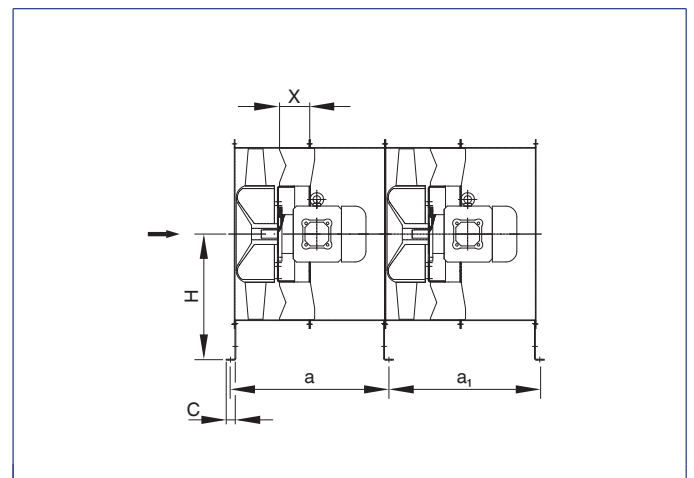
12101 - Part 3:

- ▶ F200 CE no.: 0761-CPD-0009, incl. declaration of performance (DoP) General building inspectorate licence no. Z-78.11-128
- ▶ F300 CE no.: 0761-CPD-0010, or 0761-CPR-0492 for operation on a frequency inverter in the case of smoke extraction, incl. declaration of performance (DoP) General building inspectorate licence no. Z-78.11-128
- ▶ F400 CE no.: 0761-CPD-0011, or 0761-CPR-0493 for operation on a frequency inverter in the case of smoke extraction, incl. declaration of performance (DoP) General building inspectorate licence no. Z-78.11-128

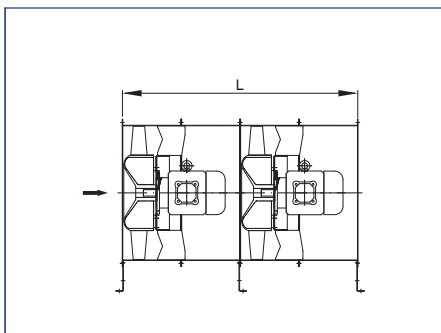
BVZAXN 12/56



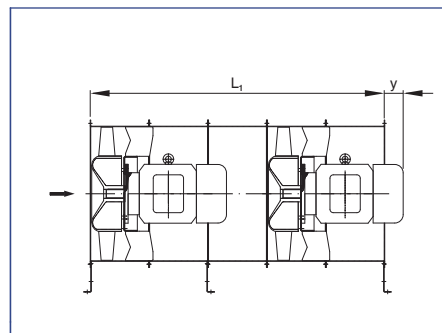
BVZAXN 12/56



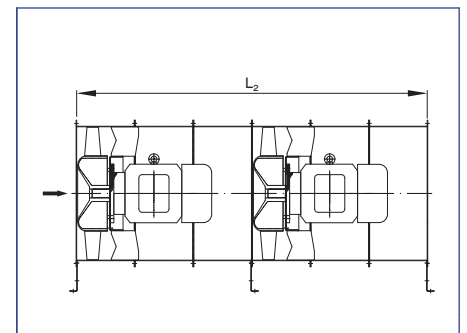
BVZAXN 12/56



BVZAXN 12/56



BVZAXN 12/56



Principal dimensions

①	Ø clear width	Øk	ØD	zxd	H	a	a ₁	C	b	b ₁	b ₂	③ b × l
315	320	356	386	8 x 9.5	240	328	302	35	356	68	80	12 x 20
355	359	395	425	8 x 9.5	270	356	330	35	398	88	80	12 x 20
400	401	438	468	12 x 9.5	300	406	379	37	438	104	80	12 x 20
450	450	487	517	12 x 9.5	335	430	400	37	487	124	80	12 x 20
500	504	541	571	12 x 9.5	375	480	453	37	541	151	80	12 x 20
560	565	605	643	16 x 11.5	420	519	483	45	605	183	80	12 x 20
630	634	674	712	16 x 11.5	470	607	575	45	674	203	100	12 x 20
710	711	751	789	16 x 11.5	525	645	613	45	721	210	110	12 x 20
800	794	837	875	24 x 11.5	585	735	703	45	872	285	110	14 x 22
900	894	934	972	24 x 11.5	655	785	753	45	860	225	160	14 x 22
100	1003	1043	1081	24 x 11.5	730	881	833	57	940	265	160	14 x 22
1120	1124	1174	1214	24 x 11.5	760	951	903	57	1184	380	160	14 x 22
1250	1261	1311	1251	24 x 11.5	855	1051	1003	57	1321	465	160	14 x 22
1400	1415	1465	1545	24 x 11.5	⊗	⊗	⊗	⊗	1475	520	165	14 x 22
1600	1587	1637	1717	32 x 11.5	⊗	⊗	⊗	⊗	1649	615	160	18 x 25

- ① Nominal size •
- ③ Slotted hole width × length •
- ⊗ Upon request

Dimensions dependent on the number of extensions

①	②	L	④	②	L ₁ ²⁾	y	④	②	L ₂ ²⁾	④
315	71	600	20	80	750	12	25	80	900	29
355	80	660	25	90	825	8	30	90	990	35
400	90	752	36	112	940	54	43	112	1128	51
450	90	800	43	112	1000	34	52	112	1200	62
500	112	900	56	132	1125	81	68	132	1350	80
560	112	968	82	132	1210	64	99	132	1452	117
630	132	1144	150	-	-	-	-	-	-	-
710	132	1220	130	160	1525	112	152	160	1830	174
800	132	1400	164	180	1750	104	198	180	2100	232
900	132	1492	220	225	1865	78	264	225	2238	309
100	160	1660	274	225	2075	113	329	225	2490	383
1120	180	1800	380	280	2250	180	425	280	2700	470
1250	200	2000	450	280	2500	115	500	280	3000	550
1400	180	⊗	⊗	⊗	⊗	⊗	⊗	⊗	⊗	⊗
1600	225	⊗	⊗	⊗	⊗	⊗	⊗	⊗	⊗	⊗

²⁾ Additional empty ducts are required here, so the a + a₁ dimensions change

- ① Nominal size •
- ② Max. motor size •
- ③ Slotted hole width × length •
- ④ Weight without motors (approx.) [kg] •
- ⊗ Upon request

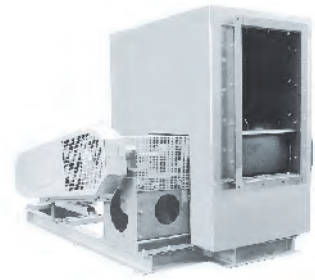
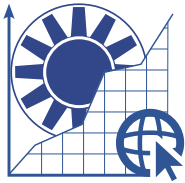


Smoke exhaust centrifugal fans

	Specifications				
	BVREH		BVRA	BVW-B	
Temperature classes					
F 200					
F 300					
F 400	●				
F 600		●	●	●	●
Installation type					
Outdoors	○	○	○	○	
In the building in the fire area					●
In the building outside of the fire area	●	●	●	●	●
Floor-mounted installation	●	●	●	●	●
Motor type					
Single-speed	●	●	●	●	●
Dual-speed	●	●	●	●	●
Suitable for operation on a frequency inverter (not in the case of smoke extraction)	●	●	●	●	●
Suitable for operation on a frequency inverter (in the case of smoke extraction)	○ As of MBG 132	○ As of MBG 132			
Technical type					
Belt drive	●	●	●		
Direct driven				●	●
Casing orientation (RD/LG - 0° - 90° - 180° - 270°)	●	●	●	●	●
Casing orientation (inlet and outlet variable)				○	○
Cooling air intake manifold (arrangement variable)				●	●
Inlet box				○	○
Pipe connection (inlet side)	●	●	●	○	○
Casing split horizontally	● As of NG 710	● As of NG 710	○		
Motor in airflow					
Motor encased - not in airflow					●
Motor cooling with ambient air	●	●	●	●	
Technical data					
Max. volume flow rate	250,000	200,000	140,000 m ³ /h	50,000	50,000
Max. pressure	4,000	2,750	3,150 Pa	2,100	2,100
Max. drive capacity	110	110	55	20	20
Nominal sizes (mm)	315-1.800	315-1.800	180-1.400	315-710	315-710
Material					
Impeller	Steel	Steel	Steel	Steel	Steel
Casing	Steel	Steel	Steel	Steel	Steel
Accessories					
Fan diagnosis system VD	○	○	○	○	○
Volume flow rate measurement unit VME	○	○		○	○
Shock pulse bearing monitoring STI	○	○	○	○	○
Acoustic and thermal insulation	○	○	○	○	○
Insulation for outdoor installation	○	○	○	○	○
Weather protection for motor (and belt drive)	○	○	○	○	○
Base frame	○	○	○	○	○
Spring anti-vibration mounts	○	○	○	○	○
Rotary speed measurement port in V-belt protective casing	●	●			
Flexible connectors	○	○	○	○	○

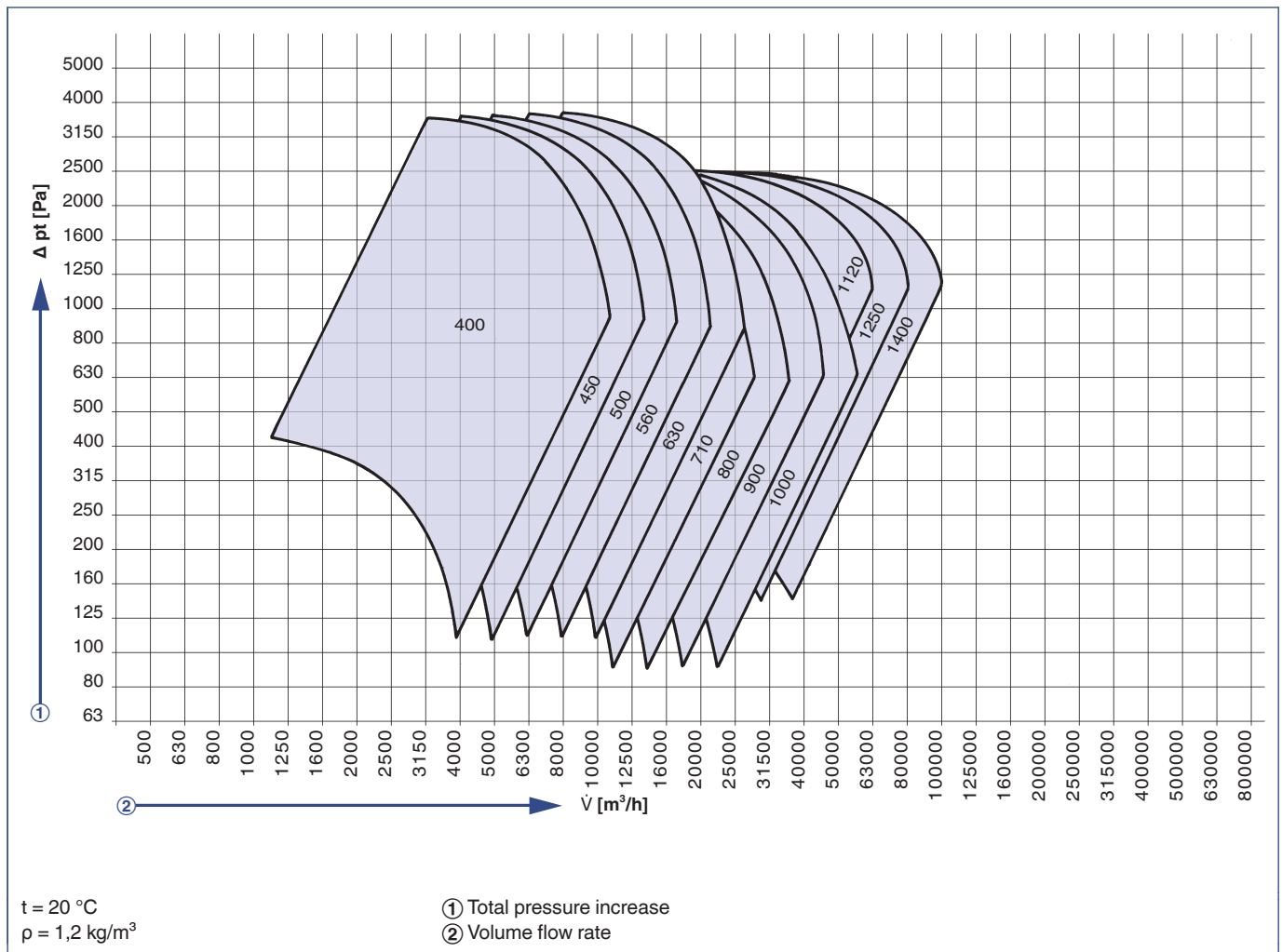


	Specifications				
	BVREH		BVRA	BVW-B	
Matching flange	<input type="radio"/>	<input type="radio"/>	<input type="radio"/>	<input type="radio"/>	<input type="radio"/>
Inspection hatch	<input type="radio"/>	<input type="radio"/>	<input type="radio"/>	<input checked="" type="radio"/>	<input checked="" type="radio"/>
Self-powered shut-off damper (rounded or rectangular)	<input type="radio"/>	<input type="radio"/>	<input type="radio"/>	<input type="radio"/>	<input type="radio"/>
Cover grille (inlet and outlet side)	<input type="radio"/>	<input type="radio"/>	<input type="radio"/>	<input type="radio"/>	<input type="radio"/>
Equipotential bonding	<input type="radio"/>	<input type="radio"/>	<input type="radio"/>	<input type="radio"/>	<input type="radio"/>
Outlet duct with cover grille	<input type="radio"/> For RD/LG 90° only	<input type="radio"/> For RD/LG 90° only	<input type="radio"/> For RD/LG 90° only	<input type="radio"/>	<input type="radio"/>
Condensation drainage nozzle	<input type="radio"/>	<input type="radio"/>	<input type="radio"/>		
Motor terminal box	<input checked="" type="radio"/>	<input checked="" type="radio"/>	<input checked="" type="radio"/>	<input checked="" type="radio"/>	<input checked="" type="radio"/>
Terminal box	<input type="radio"/>	<input type="radio"/>	<input type="radio"/>	<input type="radio"/>	<input type="radio"/>
Local isolator loose (for outside of fire area)	<input type="radio"/>	<input type="radio"/>	<input type="radio"/>	<input type="radio"/>	<input type="radio"/>
Surface protection					
Corrosion protection category C2	<input checked="" type="radio"/>	<input checked="" type="radio"/>	<input checked="" type="radio"/>	<input checked="" type="radio"/>	<input checked="" type="radio"/>
Corrosion protection category C3	<input type="radio"/>	<input type="radio"/>	<input type="radio"/>	<input type="radio"/>	<input type="radio"/>
Corrosion protection category C4	<input type="radio"/>	<input type="radio"/>		<input type="radio"/>	<input type="radio"/>
Corrosion protection category C5				<input type="radio"/>	<input type="radio"/>
Explanation					
● - Standard					
○ - Optional					



For conveying smoke gases of the temperature class F400

BVREH Performance Range



+ Features

- ▶ Casing in sturdy welded structure, casing's side walls reinforced.
- ▶ High-performance radial impeller made of sheet steel in welded design with backward curved blades.
- ▶ Optimised to save energy with peak efficiency (87%)
- ▶ 12 sizes
- ▶ Impeller's nominal Ø 315 to 1,400 mm
- ▶ Volume flow rate V max. 250,000 m³/h
- ▶ Total pressure increase pt max. 4,000 Pa

Application

- ▶ Centrifugal smoke exhaust fan for installation outside of the fire zone in the building or outdoors.

- ▶ Suitable for pipeline installation in a horizontal style.
- ▶ Dual smoke extract and ventilation function.

& Accessories

- ▶ Fan diagnosis system VD
- ▶ Shock pulse bearing monitoring STI
- ▶ Acoustic and thermal insulation
- ▶ Insulation for outdoor installation
- ▶ Can be installed outdoors
- ▶ Base frame with motor slide rails
- ▶ Spring anti-vibration mounts
- ▶ V-belt drive
- ▶ V-belt protective casing

- ▶ Flexible connectors
- ▶ Matching flange
- ▶ Inspection hatch
- ▶ Condensation drainage nozzle
- ▶ Equipotential bonding
- ▶ Outlet duct with cover grille (for RD/LG 90° only)
- ▶ Local isolator (loose, outside of fire area)

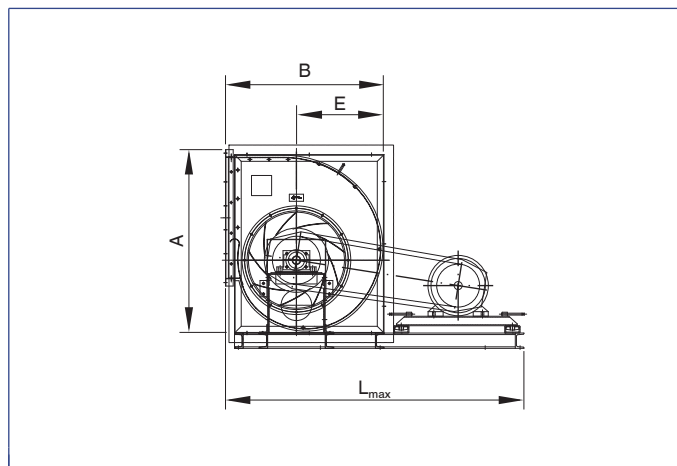
ISO Classification, standards and guidelines

- ▶ Temperature / time category as per EN 12101 - Part 3:
- ▶ F400 CE no.: 0761-CPD-0015 incl. declaration of performance (DoP)
- ▶ General building inspectorate licence no. Z-78.11-132

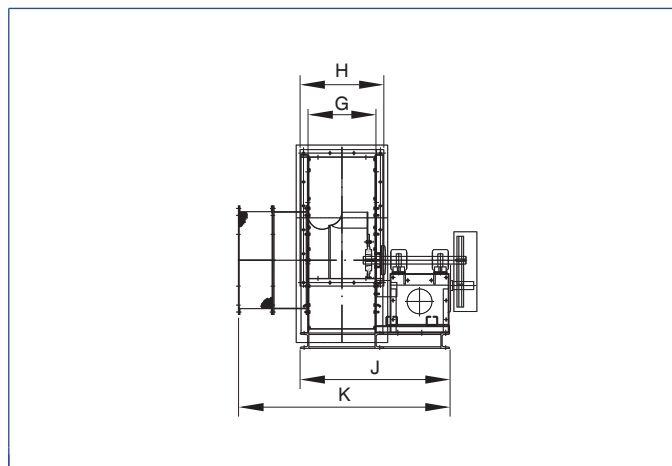




BVREH



BVREH

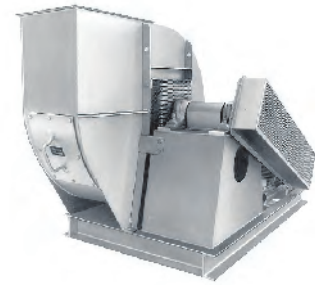
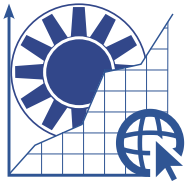


Dimensions [mm]

①	A	B	E	G	H	K	L _{max}	J	②	③
400	776	670	369	282	362	970	1600	646	90	45
450	874	755	410	317	397	1005	1650	683	105	50
500	957	827	457	357	437	1102	1850	778	140	55
560	1070	920	509	402	482	1147	1950	821	170	64
630	1211	1026	574	452	532	1227	2050	901	205	80
710	1343	1152	647	899	983	1312	2300	989	325	120
800	1505	1290	727	999	1083	1369	2400	1046	390	180
900	1702	1443	811	1119	1243	1469	300	1156	495	200
1000	1871	1577	894	1249	1373	1645	3200	1337	590	240
1120	2350	2072	1162	802	922	1756	3500	1436	870	300
1250	2625	2320	1297	902	1028	2056	3800	1733	1170	330
1400	2930	2600	1455	1002	1128	2137	4100	1834	1485	384

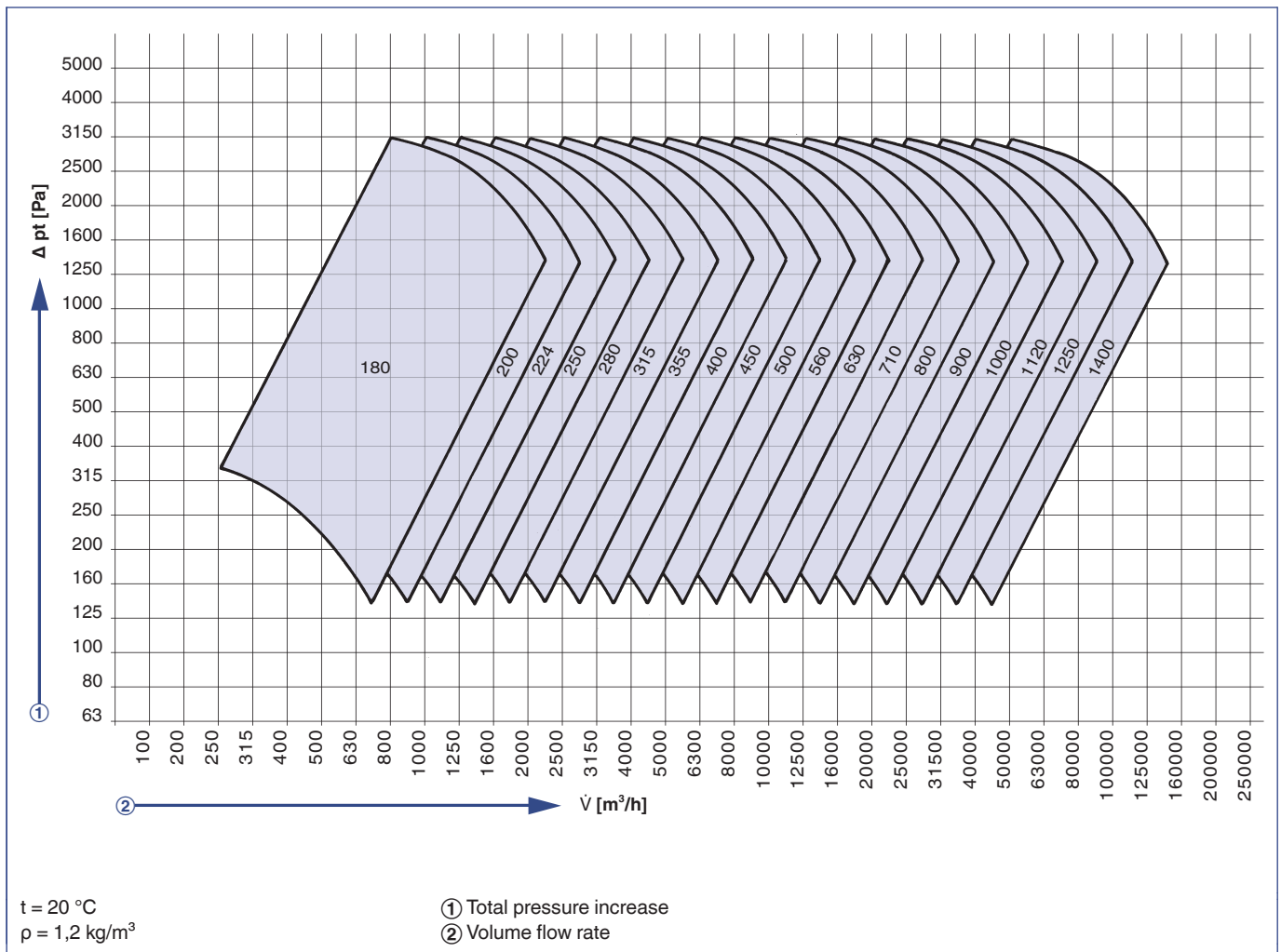
- ① Nominal size •
- ② Weight without motor, base frame and V-belt drive (approx.) [kg] •
- ③ Weight of insulation (approx.) [kg]





For conveying smoke gases of the temperature class F600

BVRA Performance Range



+ Features

- ▶ Casing in sturdy welded structure, casing's side walls reinforced
- ▶ Impeller with single inlet, in welded sheet steel design
- ▶ Optimised to save energy for high efficiency levels
- ▶ 19 sizes
- ▶ Impeller's nominal Ø 180 to 1,400 mm
- ▶ Volume flow rate V max. 140,000 m³/h
- ▶ Total pressure increase pt max. 3,150 Pa

X Application

- ▶ Centrifugal smoke exhaust fan for installation

- ▶ outside of the fire zone in the building or outdoors.
- ▶ Suitable for pipeline installation in a horizontal style.
- ▶ Dual smoke extract and ventilation function.

& Accessories

- ▶ Fan diagnosis system VD
- ▶ Shock pulse bearing monitoring STI
- ▶ Acoustic and thermal insulation
- ▶ Hot-dip galvanising for outdoor installation
- ▶ Motor protection roof for outdoor installation
- ▶ Spring anti-vibration mounts
- ▶ Flexible connectors for inlet and outlet
- ▶ Matching flange
- ▶ Matching frame

- ▶ Inspection hatch
- ▶ Condensation drainage nozzle
- ▶ Equipotential bonding
- ▶ Outlet duct with cover grille (for RD/LG 90° only)
- ▶ Local isolator (loose, outside of fire area)

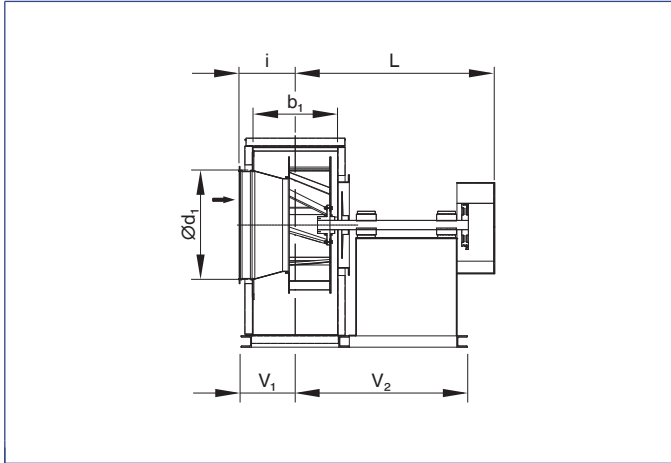
ISO Classification, standards and guidelines

- ▶ Temperature / time classification as per EN 12101 - Part 3:
- ▶ F600 CE no.: 0761-CPD-0037 incl. declaration of performance (DoP)
- ▶ General building inspectorate licence no. Z-78.11-160

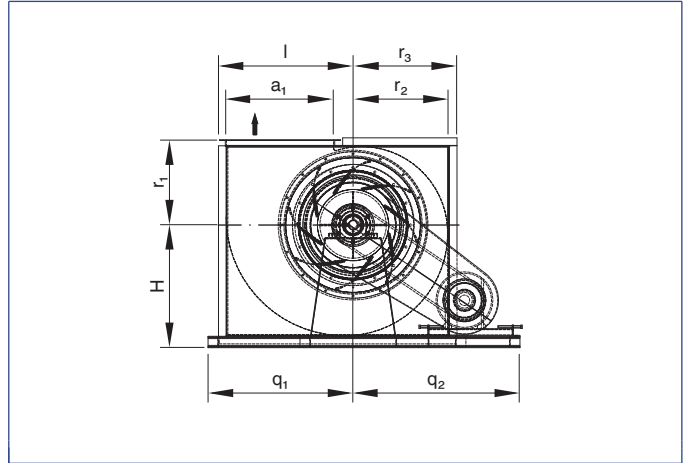




BVRA



BVRA

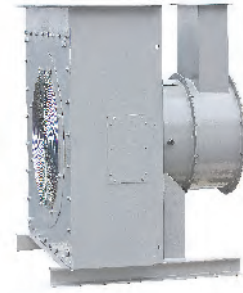
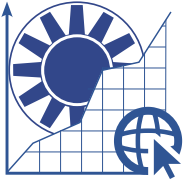


Dimensions [mm]

①	②	a ₁	b ₁	d ₁	r ₁	r ₂	r ₃	l	H 360°	H 90°	v ₁ +v ₂	v ₁	q ₂	q ₁	L	i	③	④
180	90	183	146	183	175	172	212	256	242	220	631	128	605	296	510	173	36	60
200	90	205	164	205	190	190	230	280	260	235	644	137	605	320	520	182	40	65
	100	205	164	205	190	190	230	280	260	235	719	137	605	320	590	182	43	69
224	90	229	183	229	205	210	250	310	285	255	663	452	605	350	530	192	50	80
	112	229	183	229	205	210	250	310	285	255	723	452	605	350	590	192	53	85
250	112	256	205	256	220	230	270	340	310	275	725	463	670	380	595	203	55	90
	132	256	205	256	220	230	270	340	310	275	825	463	670	380	695	203	60	95
280	112	288	229	288	245	268	290	360	330	315	749	175	680	400	620	215	60	100
	132	288	229	288	245	268	290	360	330	315	880	175	720	400	750	215	70	113
315	112	322	256	322	266	284	324	420	380	330	806	188	720	463	660	228	80	130
	132M	322	256	322	266	284	324	420	380	330	890	188	720	463	755	228	110	135
355	112	361	288	361	292	318	258	470	425	370	838	204	720	510	670	244	100	160
	355M	361	288	361	292	318	258	470	425	370	943	204	720	510	755	244	125	170
400	132S	404	322	404	330	360	360	520	480	430	942	221	840	570	760	261	130	205
	160M	404	322	404	330	360	360	520	480	430	1080	221	840	570	890	261	170	218
450	132S	453	361	453	354	396	436	580	520	450	981	241	840	630	780	181	155	245
	160L	453	361	453	354	396	436	580	520	450	1141	241	840	630	940	181	205	270
500	132M	407	404	507	405	450	490	640	590	520	1069	262	880	695	860	312	180	295
	180M	407	404	507	405	450	490	640	590	520	1199	262	880	695	990	312	220	320
560	160M	569	453	569	450	500	540	710	650	570	1198	287	880	765	950	327	250	390
	180L	569	453	569	450	500	540	710	670	590	1300	277	945	755	1050	327	320	430
630	160L	638	507	638	480	550	590	800	720	620	1252	319	1010	855	1000	354	300	470
	200	638	507	638	480	550	590	800	740	640	1427	319	1020	845	1090	354	360	500
710	180M	715	569	715	535	620	660	900	820	710	1339	245	1035	945	1050	385	390	600
	225S	715	569	715	535	620	660	900	840	730	1500	245	1050	950	1330	385	485	640
800	180L	801	638	801	590	690	730	1000	930	795	1443	379	1100	1050	1120	419	460	720
	225M	801	638	801	590	690	730	1000	930	795	1625	379	1100	1050	1430	419	513	750
900	180L	898	715	898	665	780	820	1120	1040	885	1520	418	1150	1170	1170	458	720	1045
	225S	898	715	898	665	780	820	1120	1040	885	1650	418	1150	1170	1300	458	750	1065
1000	250M	898	715	898	665	780	820	1120	1060	905	1850	423	1150	1170	1500	458	805	1100
	225S	1007	801	1007	740	870	910	1240	1160	1000	1681	461	1170	1295	1330	520	850	1240
1120	250M	1007	801	1007	740	870	910	1240	1160	1000	1861	461	1435	1296	1510	520	900	1260
	280S	1007	801	1007	740	870	910	1240	1180	1020	2050	466	1435	1296	1750	520	1020	1280
1250	250M	1130	898	1130	836	984	1026	1402	1340	1135	1986	519	1340	1465	1530	569	1040	1545
	280M	1130	898	1130	836	984	1026	1402	1340	1135	3115	519	1340	1465	1780	569	1400	1700
1400	280M	1267	1007	1267	930	110	1142	1562	1480	1270	2235	574	1625	1627	1736	624	1300	2060
	315S	1267	1007	1267	930	110	1142	1562	1480	1270	3397	574	1625	1627	1895	624	1865	2150
1400	315	1421	1130	1421	1040	1250	1282	1762	1670	1430	2525	640	1800	1932	2050	685	2400	2550

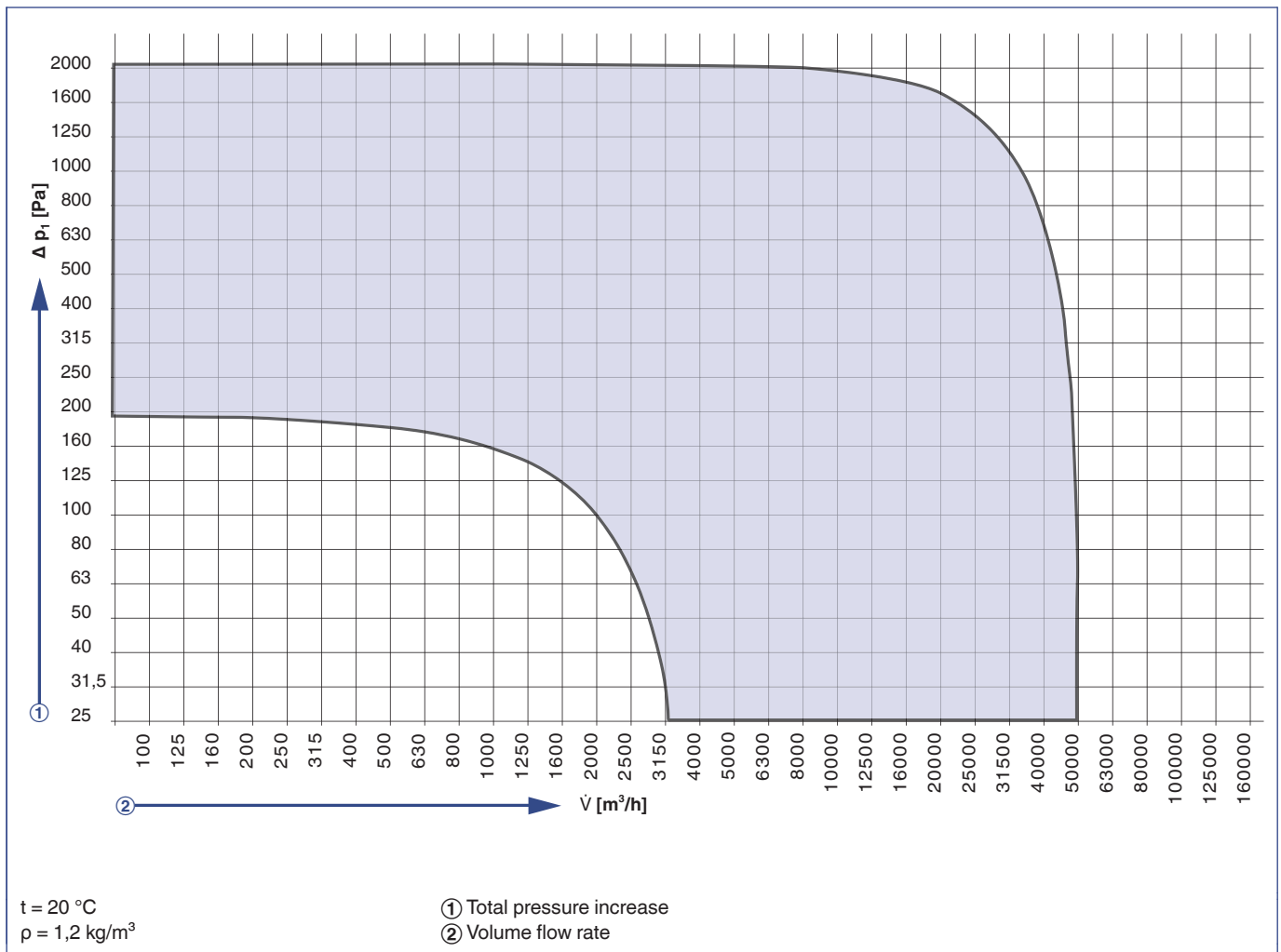
① Nominal size • ② Max motor size • ③ Weight without insulation / without motor (approx.) [kg] • ④ Weight with insulation / with motor (approx.) [kg]





For conveying smoke gases of the temperature class F600

BVW Performance Range



+ Features

- ▶ Casing and impeller made of sheet steel, protected by polyester resin-based powder coating, with bellmouth and motor fastening plate
- ▶ 6 sizes
- ▶ More than 35 types
- ▶ Volume flow rate V max. 50,000 m³/h
- ▶ Total pressure increase p₁ max. 2,100 Pa

Application

- ▶ Smoke exhaust fan for floor-mounted installation in or outside of the fire area.
- ▶ Dual smoke extract and ventilation function.

◻ Variants

- ▶ BVW-A/B: floor-mounted installation, outside of the fire area
- ▶ BVW-AI/B: floor-mounted installation - insulated, outside of the fire area
- ▶ BVW-R/B: floor-mounted installation, inside the fire area

& Accessories

- ▶ Fan diagnosis system VD
- ▶ Shock pulse bearing monitoring STI
- ▶ Acoustic and thermal insulation
- ▶ Base frame
- ▶ Spring anti-vibration mounts
- ▶ Flexible connectors (inlet and outlet)
- ▶ Inlet box

- ▶ Pipeline connection
- ▶ Matching flange
- ▶ Matching frame
- ▶ Self-powered shut-off damper (for duct connection)
- ▶ Cover grille (inlet and outlet side)
- ▶ Equipotential bonding
- ▶ Outlet duct with cover grille
- ▶ Local isolator loose (for outside of fire area)

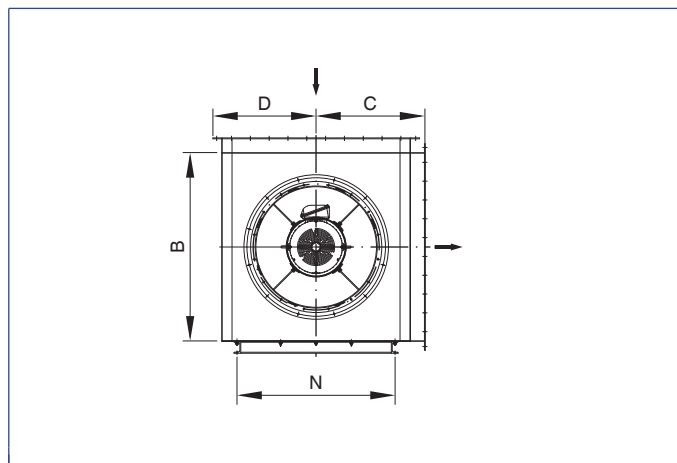
ISO Classification, standards and guidelines

- ▶ Temperature / time classification as per EN 12101 - Part 3
- ▶ F600 CE no.: 0761-CPD-0034 with declaration of performance (DoP)
General building inspectorate licence no. Z-78.-11-127

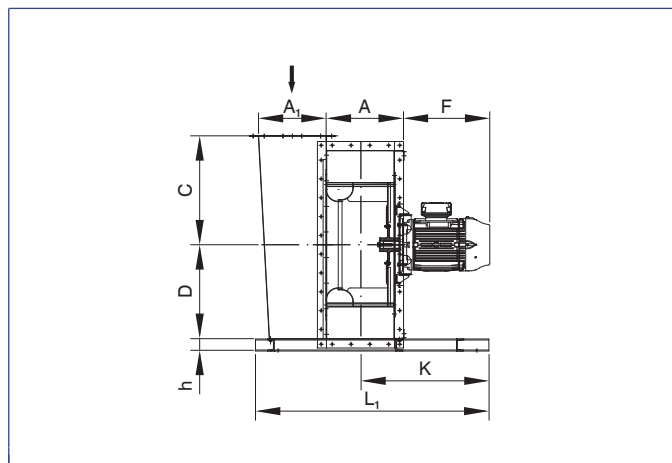




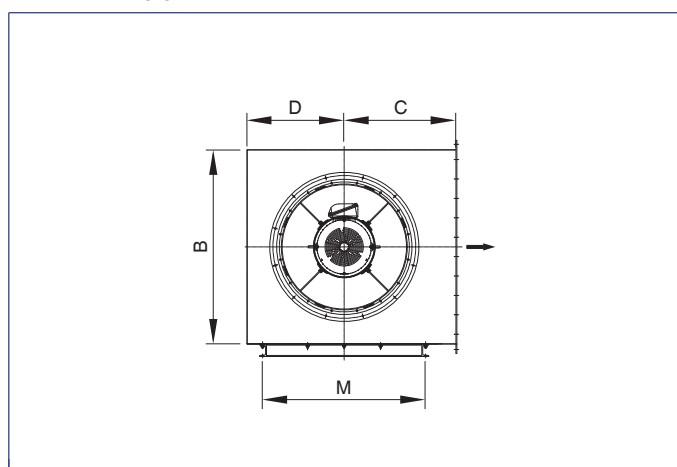
BVW-A_B with inlet box



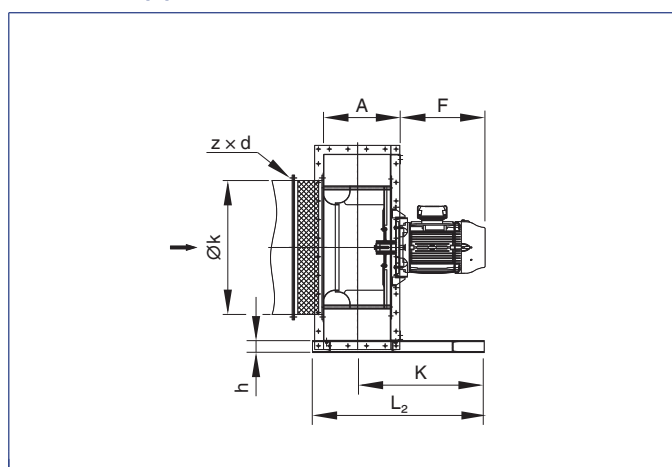
BVW-A_B with inlet box



BVW-A_B for pipe connection



BVW-A_B for pipe connection



Dimensions of the BVW-AB series [mm]

①	A	A ₁	B	C	D	F	h	K	L ₁	L ₂	Øk	zxd
315	295	252	632	415	316	315	65	500	850	850	356	8x10
355	295	252	632	415	356	260	65	500	850	850	395	8x10
400	325	282	802	500	401	315	65	550	950	850	438	12x10
500	401	357	1002	600	501	410	80	650	1150	850	541	12x10
630	516	452	1252	725	626	395 ¹⁾ /600 ²⁾	80	850	1550	1200	674	16x12
710	566	502	1402	800	701	395 ¹⁾ /600 ²⁾	100	900	1650	1400	751	16x12

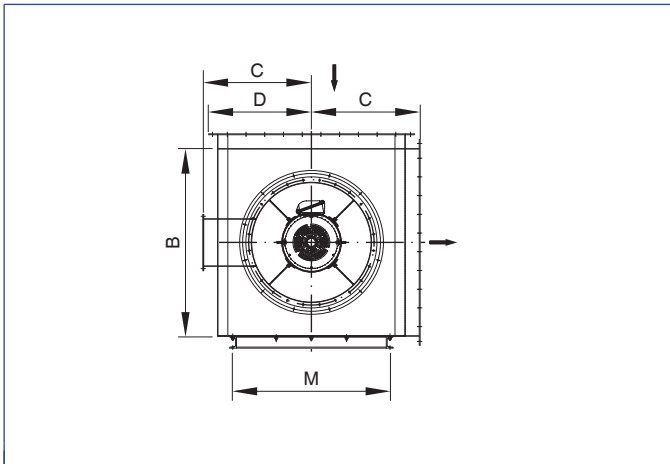
¹⁾ Up to motor size 132

²⁾ As of motor size 160

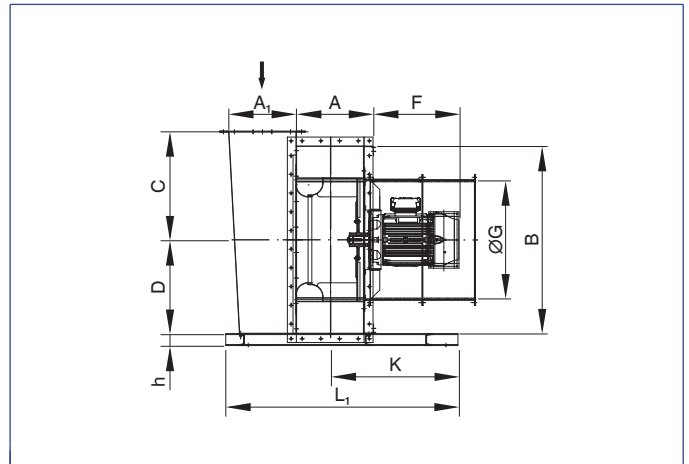
① Nominal size



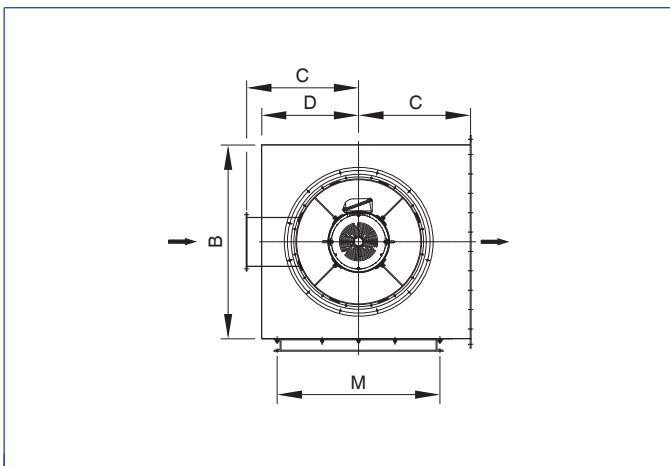
BVW-R_B with inlet box



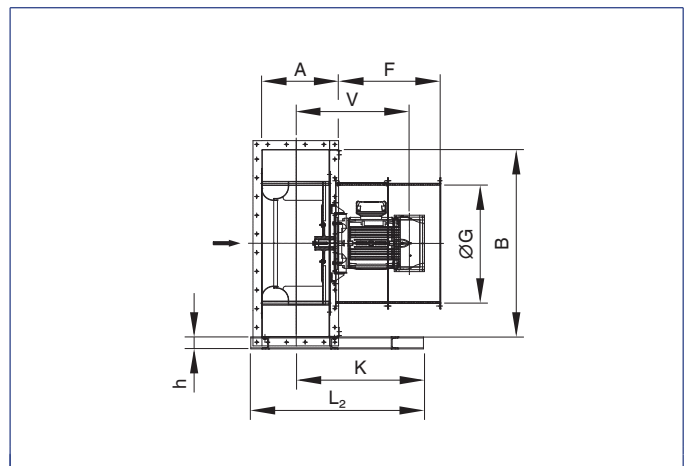
BVW-R_B with inlet box



BVW-R_B free inlet



BVW-R_B free inlet



Dimensions of the BVW-R/B series

①	A	A1	B	C	D	ØG	H	v	h	K	L1	L2	M
315	295	252	632	415	316	400	375	440	65	500	850	850	580
355	295	252	632	415	356	400	375	440	65	500	850	850	580
400	325	282	802	500	401	400	375	440	65	550	950	850	650
500	401	357	1002	600	501	500	450	540	80	650	1150	850	850
630	516	452	1252	725	626	500 ¹⁾ /800 ²⁾	425 ¹⁾ /680 ²⁾	610 ¹⁾ /760 ²⁾	80	850	1550	1200	1050
710	566	502	1402	800	701	500 ¹⁾ /800 ²⁾	425 ¹⁾ /680 ²⁾	610 ¹⁾ /760 ²⁾	100	900	1650	1400	1250

¹⁾ Up to motor size 132

²⁾ As of motor size 160

① Nominal size

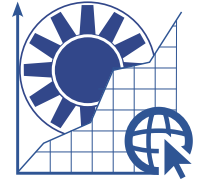
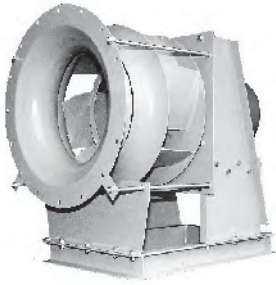




Smoke exhaust plug fans

	Specifications
	BVERV 23/1.2
Temperature classes	
F 200	
F 300	●
F 400	
F 600	
Installation type	
Outdoors	
In the building, in the fire area	●
In the building outside of the fire area	
Motor type	
Single-speed	●
Dual-speed	●
Suitable for operation on a frequency inverter (not in the case of smoke extraction)	●
Suitable for operation on a frequency inverter (in the case of smoke extraction)	
Technical type	
Motor in the conveying medium	●
Bellmouth	●
Base frame	●
Technical data	
Max. volume flow rate	63,000 m ³ /h
Max. pressure	2,500
Max. drive capacity	75
Nominal sizes (mm)	250-1.120
Material	
Impeller	Steel
Casing	Steel
Accessories	
Fan diagnosis system VD	○
Volume flow rate measuring unit VME	○
Shock pulse bearing monitoring STI	○
Flexible connectors	○
Matching flange	○
Equipotential bonding	○
Cover grille (inlet side)	○
Spring anti-vibration mounts	○
Motor terminal box	●
Guided-out cable	○
Local isolator loose (for outside of fire area)	○
Extract air and smoke extract controller	○
Silicone free	○
Surface protection	
Corrosion protection category C2	●
Corrosion protection category C3	○
Corrosion protection category C4	○

	Specifications
	BVERV 23/1.2
Corrosion protection category C5	○
Explanation	
● - Standard	
○ - Optional	



For conveying smoke gases of the temperature class F300

+ Features

- ▶ Impeller aerodynamically designed for the best free outlet, in welded sheet steel design
- ▶ Substructure with plate, motor bracket and base frame in torsion-free sheet steel design, screwed and welded
- ▶ Bellmouth in pressed sheet steel design, aerodynamically coordinated to the impeller
- ▶ 14 sizes
- ▶ Impeller's nominal \varnothing 250 to 1,120 mm
- ▶ Volume flow rate V max. 63,000 m³/h
- ▶ Stat. differential pressure ps max. 2,500 Pa

Application

- ▶ Smoke exhaust fan without impeller casing for installation in walled; F30 and/or F90 chambers or tested VAC devices.

& Accessories

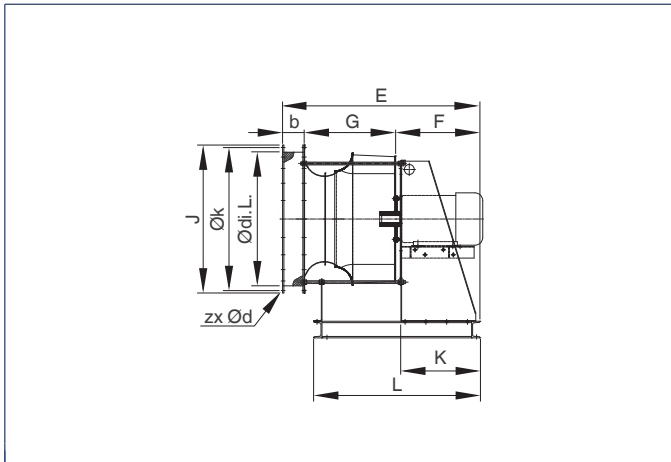
- ▶ Fan diagnosis system VD
- ▶ Volume flow rate measuring unit VME
- ▶ Shock pulse bearing monitoring STI
- ▶ Flexible connectors
- ▶ Equipotential bonding

- ▶ Cover grille (inlet side)
- ▶ Spring anti-vibration mounts
- ▶ Local isolator loose (for outside of fire area)
- ▶ Extract air and smoke extract controller

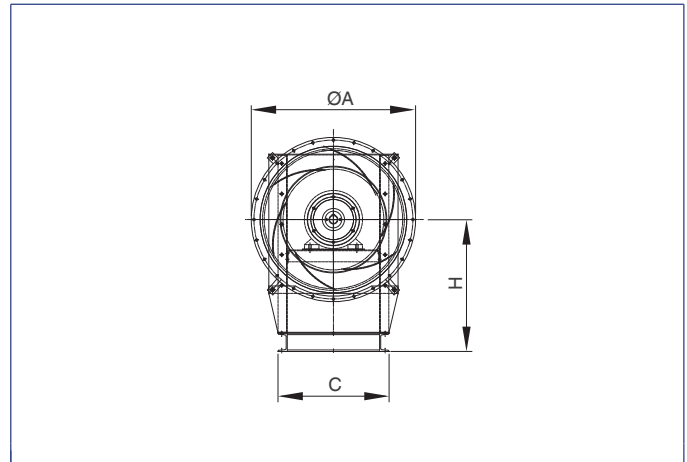
ISO Classification, standards and guidelines

- ▶ Temperature / time classification as per EN 12101 - Part 3:
- ▶ F300 CE no.: 0761-CPD-0014 incl. declaration of performance (DoP)
- ▶ General building inspectorate licence no. Z-78.1-43

BVERV / ERV



BVERV / ERV



Dimensions [mm]

①	Ø A	H	C	Ø clear width	approx. E	F	G	b	approx. J	K	L	Øk	② z x Ød	
250	306	250	290	256	617	258	179	180	403	240	420	286	6	7
280	348	250	290	288	639	260	202	180	426	240	420	322	8	10
315	386	285	350	322	710	310	220	180	478	285	500	356	8	10
355	425	320	350	361	733	310	249	180	533	285	500	395	8	10
400	468	360	435	404	860	410	270	180	594	385	675	438	12	10
450	517	400	435	453	895	410	308	180	650	385	675	487	12	10
500	571	450	435	507	940	415	345	180	736	385	705	541	12	10
560	643	530	480	569	998	430	389	180	852	405	730	605	16	12
630	712	570	480	638	1046	430	436	180	926	405	730	674	16	12
710	814	640	480	714	1186	510	496	180	1047	475	900	775	16	14
800	904	715	600	804	1240	510	550	180	1167	475	1000	861	24	14
900	1004	800	650	904	1478	680	618	180	1302	645	1150	958	24	14
1000	1105	900	650	1005	1545	680	685	180	1453	645	1115	1067	24	14
1120	1125	1000	780	1005	1679	740	734	205	1553	710	1350	1067	27	14

① Nominal size •

② Number of holes z x Ød

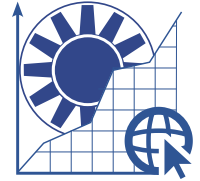




Wall smoke exhaust fans

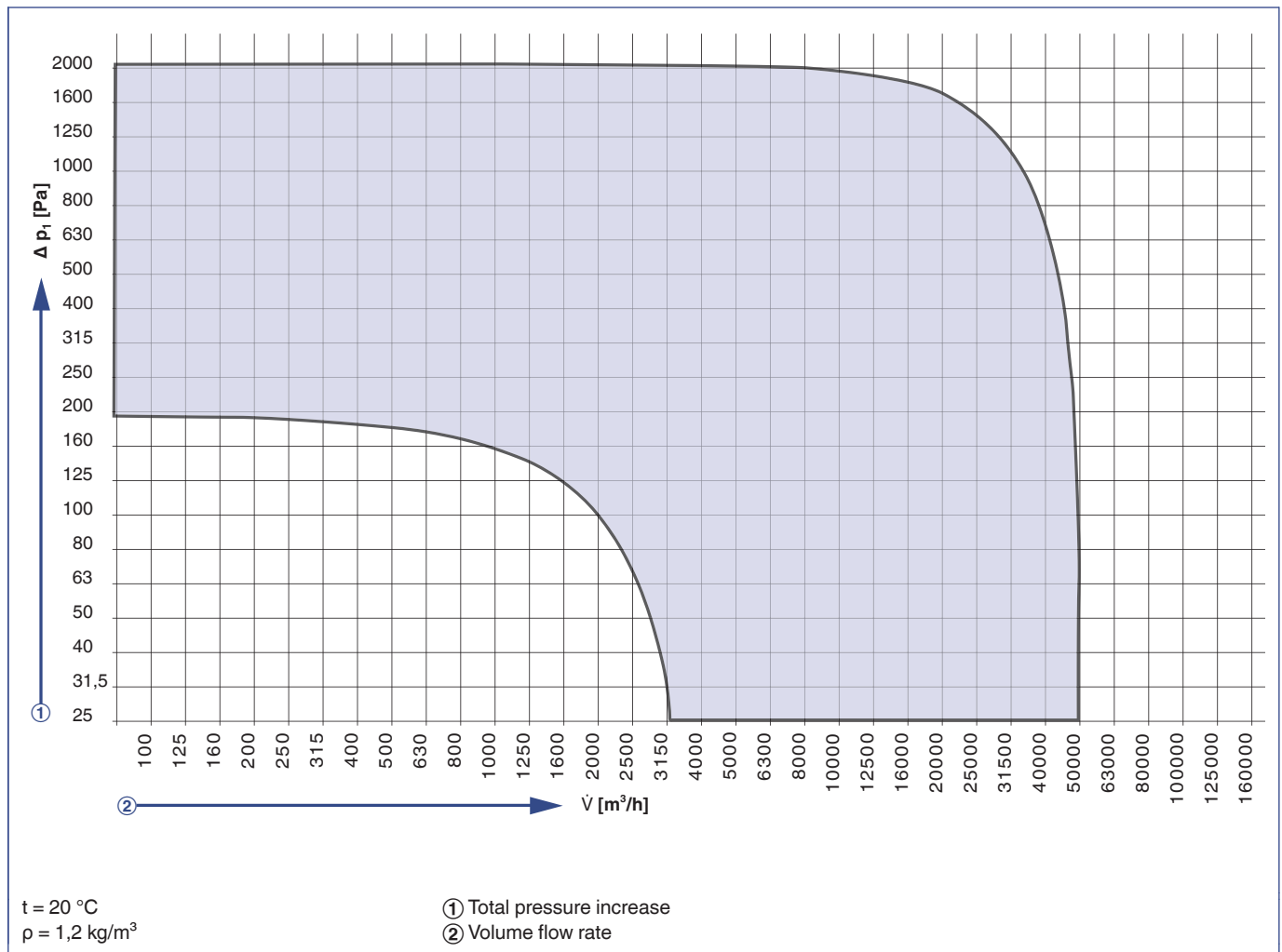
	Specifications	
	BVW-A	BVW-R
Temperature classes		
F 200		
F 300		
F 400		
F 600	●	●
Installation type		
Outdoors	●	
In the building in the fire area		●
In the building outside of the fire area		●
Motor type		
Single-speed	●	●
Dual-speed	●	●
Suitable for operation on a frequency inverter (not in the case of smoke extraction)	●	●
Suitable for operation on a frequency inverter (in the case of smoke extraction)		
Technical type		
Wall installation	●	●
Adjustable impeller blades up to F300 (at a standstill)		
Casing orientation (inlet and outlet variable)	●	●
Cooling air intake manifold (arrangement variable)	●	●
Wall mounting plate, inside wall		
Outlet box with self-powered damper	○	○
Motor in airflow		
Motor encased - not in airflow		●
Motor cooling with ambient air	●	
Technical data		
Max. volume flow rate	50,000 m ³ /h	50,000 m ³ /h
Max. pressure	2,100 Pa	2,100 Pa
Max. drive capacity	18.5	18.5
Nominal sizes (mm)	315-710	315-710
Material		
Impeller	Steel	Steel
Casing	Steel	Steel
Accessories		
Fan diagnosis system VD	○	○
Volume flow rate measuring unit	○	○
Shock pulse bearing monitoring STI	○	○
Bellmouth with cover grille	○	○
Pipe / duct connection (inlet side)	○	○
Inlet box	○	○
Flexible connectors	○	○
Matching flange	○	○
Equipotential bonding	○	○
Inspection hatch	●	●
Outlet casing with self-powered shut-off damper	○	○
Self-powered shut-off damper rounded / rectangular	○	○
Mounting brackets	○	○

	Specifications	
	BVW-A	BVW-R
Spring anti-vibration mounts	<input type="radio"/>	<input type="radio"/>
Wall transition sleeve (outlet)	<input type="radio"/>	<input type="radio"/>
Wall transition sleeve (cooling air)	<input type="radio"/>	<input type="radio"/>
Motor terminal box	<input checked="" type="radio"/>	<input checked="" type="radio"/>
Terminal box	<input type="radio"/>	<input type="radio"/>
Local isolator loose (for outside of fire area)	<input type="radio"/>	<input type="radio"/>
Extract air and smoke extract controller	<input type="radio"/>	<input type="radio"/>
Surface protection		
Corrosion protection category C2	<input checked="" type="radio"/>	<input checked="" type="radio"/>
Corrosion protection category C3	<input type="radio"/>	<input type="radio"/>
Corrosion protection category C4	<input type="radio"/>	<input type="radio"/>
Corrosion protection category C5	<input type="radio"/>	<input type="radio"/>
Explanation		
● - Standard		
○ - Optional		



For conveying smoke gases of the temperature class F600

BVW Performance Range



+ Features

- ▶ Casing and impeller made of sheet steel, protected by polyester resin-based powder coating, with bellmouth and motor fastening plate
- ▶ 6 sizes
- ▶ More than 35 types
- ▶ Volume flow rate V max. 50,000 m^3/h
- ▶ Total pressure increase p_1 max. 2,100 Pa

X Application

- ▶ Smoke exhaust fan for wall mounting in or outside of the fire area

- ▶ BVW-A series suitable for outdoor installation
- ▶ Dual smoke extract and ventilation function

◇ Variants

- ▶ BVW-A: wall mounting, outside of the building
- ▶ BVW-AI: wall mounting - insulated, outside of the fire area
- ▶ BVW-R: inside the fire area

& Accessories

- ▶ Fan diagnosis system VD

- ▶ Shock pulse bearing monitoring STI
- ▶ Acoustic and thermal insulation
- ▶ Wall fixing
- ▶ Spring anti-vibration mounts
- ▶ Flexible connectors (inlet and outlet)
- ▶ Wall transition sleeves
- ▶ Inlet box
- ▶ Pipeline connection
- ▶ Matching flange
- ▶ Matching frame
- ▶ Self-powered shut-off damper (for duct connection)
- ▶ Cover grille (inlet and outlet side)
- ▶ Equipotential bonding
- ▶ Outlet duct with cover grille
- ▶ Local isolator loose (for outside of fire area)



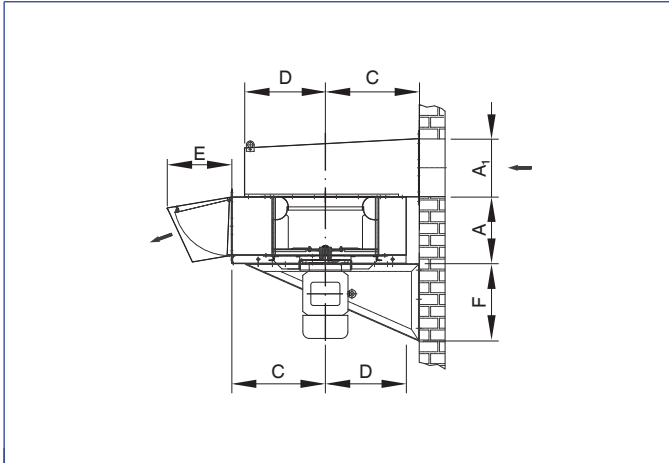
ISO Classification, standards and guidelines

► Temperature / time classification as per EN 12101 - Part 3

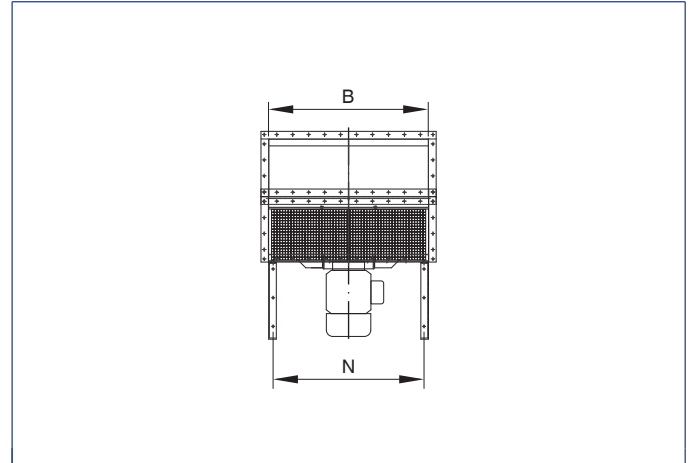
► F600 CE no.: 0761-CPR-0008 with declaration of performance (DoP); general building inspectorate licence no. Z-78.-11-127
► F600 CE no.: 0761-CPR-0008 with

declaration of performance (DoP); general building inspectorate licence no. Z-78.-11-127

BVW-A



BVW-A



BVW-A, dimensions [mm]

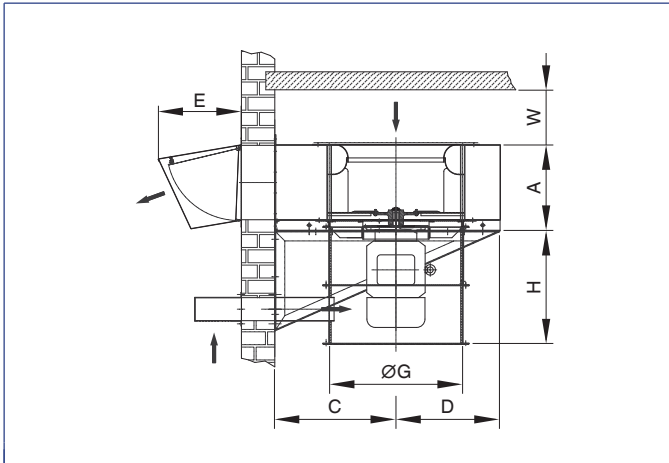
①	A	A ₁	B	C	D	E	F	N	ØG	H	v	W	a	b
315	295	252	632	415	316	300	315	588	400	375	440	225	252	632
355	295	252	712	455	356	300	260	668	400	375	440	250	252	712
400	325	282	802	500	401	330	315	742	400	375	440	300	282	802
500	401	357	1002	600	501	400	410	932	500	450	540	375	357	1002
630	516	452	1252	725	626	500	395 ¹⁾ /600	1182	500 ¹⁾ /800 ²⁾	425 ¹⁾ /680 ²⁾	610 ¹⁾ /760 ²⁾	475	452	1252
710	566	502	1402	800	701	560	395 ¹⁾ /600 ²⁾	1332	500 ¹⁾ /800 ²⁾	425 ¹⁾ /680 ²⁾	610 ¹⁾ /760 ²⁾	525	502	1402

¹⁾ Up to motor size 132

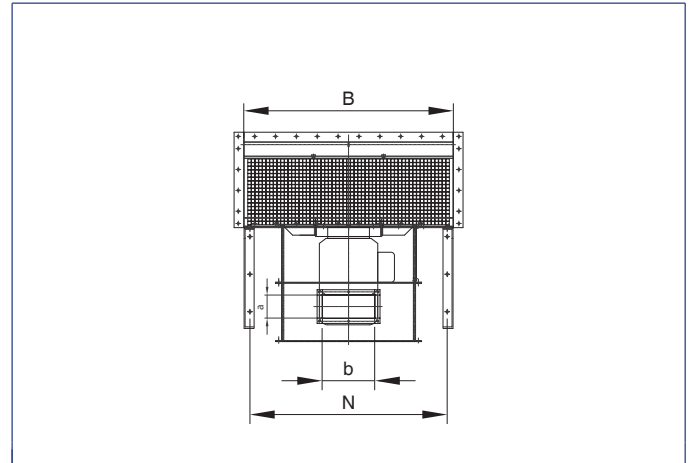
²⁾ As of motor size 160

① Nominal size

BVW-R



BVW-R



BVW-R, dimensions [mm]

①	A	B	C	D	E	F	N	ØG	H	v	W	a	b
315	295	632	415	316	300	315	588	400	375	440	225	252	632
355	295	712	455	356	300	260	668	400	375	440	250	252	712
400	325	802	500	401	330	315	742	400	375	440	300	282	802
500	401	1002	600	501	400	410	932	500	450	540	375	357	1002
630	516	1252	725	626	500	395 ¹⁾ /600	1182	500 ¹⁾ /800 ²⁾	425 ¹⁾ /680 ²⁾	610 ¹⁾ /760 ²⁾	475	452	1252
710	566	1402	800	701	560	395 ¹⁾ /600 ²⁾	1332	500 ¹⁾ /800 ²⁾	425 ¹⁾ /680 ²⁾	610 ¹⁾ /760 ²⁾	525	502	1402

¹⁾ Up to motor size 132

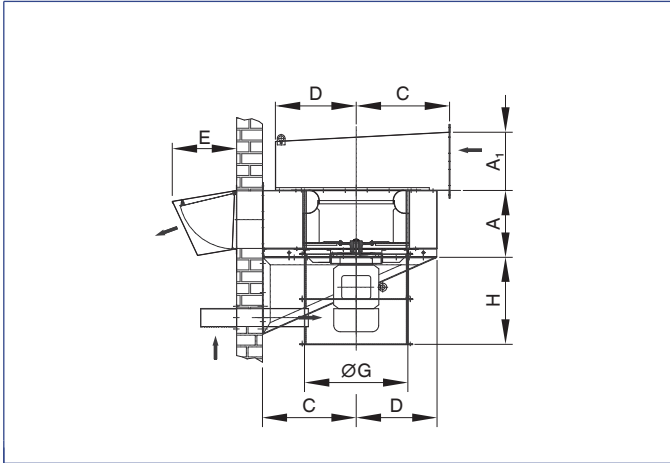
²⁾ As of motor size 160

① Nominal size

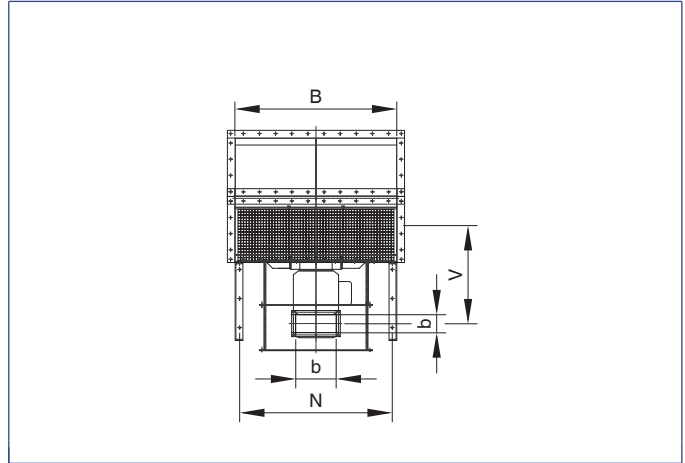




BVW-R with inlet box



BVW-R with inlet box



BVW-R with inlet box, dimensions [mm]

①	A	A ₁	B	C	D	E	F	N	ØG	H	v	w	a	b
315	295	252	632	415	316	300	315	588	400	375	440	225	252	632
355	295	252	712	455	356	300	260	668	400	375	440	250	252	712
400	325	282	802	500	401	330	315	742	400	375	440	300	282	802
500	401	357	1002	600	501	400	410	932	500	450	540	375	357	1002
630	516	452	1252	725	626	500	395 ¹⁾ /600	1182	500 ¹⁾ /800 ²⁾	425 ¹⁾ /680 ²⁾	610 ¹⁾ /760 ²⁾	475	452	1252
710	566	502	1402	800	701	560	395 ¹⁾ /600 ²⁾	1332	500 ¹⁾ /800 ²⁾	425 ¹⁾ /680 ²⁾	610 ¹⁾ /760 ²⁾	525	502	1402

¹⁾ Up to motor size 132

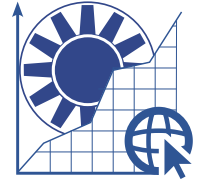
²⁾ As of motor size 160

① Nominal size



Smoke exhaust jet fans

	Specifications							
	BV GAXO-C			BV GAXN		BV GAXR-C		
	6/315	6/400	10/400	12/315	9/400	5/315	5/400	10/400
Direction of airflow	①	①	①	①	①	②	②	②
Temperature classes								
F 200								
F 300	●	●		●	●	●	●	
F 400	●		●	●	●			●
F 600								
Installation type								
Outdoors								
In the building, in the fire area	●	●	●	●	●	●	●	●
In the building, outside of the fire area								
Motor type								
Single-speed	●	●	●	●	●	●	●	●
Dual-speed	●	●	●	●	●	●	●	●
Suitable for operation on a frequency inverter (in ventilation mode)	○	○	○	○	○	○	○	○
Technical type								
Outlet guide vanes				●	●			
Motor in airflow	●	●	●	●	●	●	●	●
Reversing mode						●	●	●
Technical data								
Thrust (principal direction mode) [N]	21 / 5	56 / 14	52 / 12	31 / 7	73 / 18	18 / 5	47 / 12	52 / 12
Thrust (reversing mode) [N]						16 / 4	42 / 10	40 / 10
Max. drive capacity (kW)	0.5 / 0.1	1.3 / 0.26	1.5 / 0.37	1.1 / 0.26	2.2 / 0.48	0.75 / 0.18	1.5 / 0.37	1.5 / 0.37
Nominal sizes (mm)	315	400	400	315	400	315	400	400
Material								
Impeller	Aluminium	Aluminium	Aluminium	Aluminium	Aluminium	Aluminium	Aluminium	Steel
Casing	Steel	Steel	Steel	Steel	Steel	Steel	Steel	Steel
Accessories								
Terminal box	●	●	●	●	●	●	●	●
Local isolator loose (max. ambient temperature)	○				○	○	○	○
Local isolator attached								
Surface protection								
Corrosion protection category C2	●	●	●	●	●	●	●	●
Corrosion protection category C3	○	○	○	○	○	○	○	○
Corrosion protection category C4	○	○	○	○	○	○	○	○
Corrosion protection category C5								
● - Standard								
○ - Optional								
① - Unidirectional								
② - Reversible								



For conveying smoke gases of temperature classes F300 and F400

+ Features

- ▶ Ceiling suspension
- ▶ Compact, space-saving, flat style
- ▶ Axial-type jet fans:
- ▶ Max. thrust up to 73 N,
- ▶ With or without outlet guide vanes (coordinated to the application)
- ▶ Unidirectional as series: GAXO-C or GAXN
- ▶ Reversible as series: BVGAXR / BVGAXR-C
- ▶ Nominal sizes: 315, 400
- ▶ Impeller made of cast aluminium, directly on the motor shaft
- ▶ Motor arranged in the flow
- ▶ Terminal box assembled outside on the casing
- ▶ Sound attenuator on the inlet and outlet side
- ▶ Edged, oval design
- ▶ Cover grille on the inlet and outlet side
- ▶ Baffle plate on the outlet side
- ▶ Centrifugal-type jet fans:

- ▶ Max. thrust up to 97 N,
- ▶ nominal sizes 50 / 75 / 100
- ▶ Unidirectional

Application

- ▶ Installation inside the fire zone
- ▶ Ceiling suspension
- ▶ In the unidirectional and reversible type

Variants

- ▶ Temperature classes F300 and F400
- ▶ Unidirectional as axial fan series: BVGAXO-C / BVGAXN
- ▶ Reversible as axial fan series: BVGAXR / BVGAXR-C
- ▶ Unidirectional as centrifugal fan series: GREH

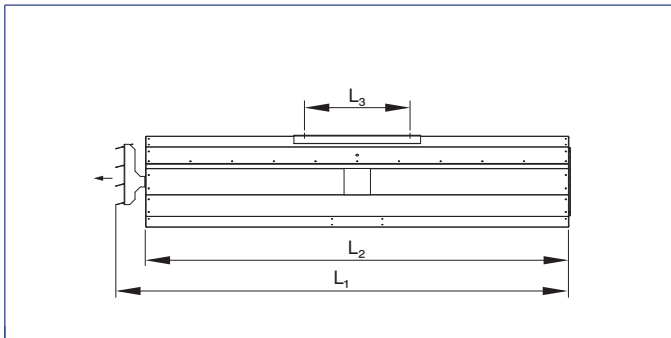
& Accessories

- ▶ Possible in all RAL colours
- ▶ Corrosion protection category C3 to C4M
- ▶ Fan diagnosis system VD
- ▶ Shock pulse bearing monitoring STI
- ▶ Underground car park controller
- ▶ CO alarm system
- ▶ Local isolator loose

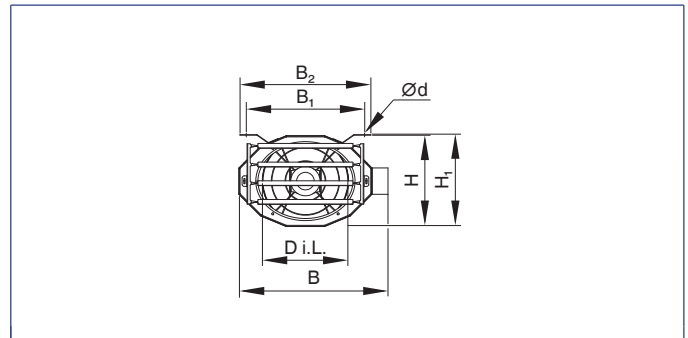
ISO Classification, standards and guidelines

- ▶ BVGAXO - F300: CE no.: 0761-CPD-0067
- ▶ BVGAXN - F300: CE no.: 0761-CPD-0070
- ▶ BVGAX-C - F300: CE no.: 0761-CPD-0239
- ▶ BVGAX-C - F400: CE no.: 0761-CPR-0429
- ▶ BVGAXR - F300: CE no.: 0761-CPD-0068
- ▶ BVGREH - F300: CE no.: 0370-CPR-2353
- ▶ Incl. application approval (DoP)

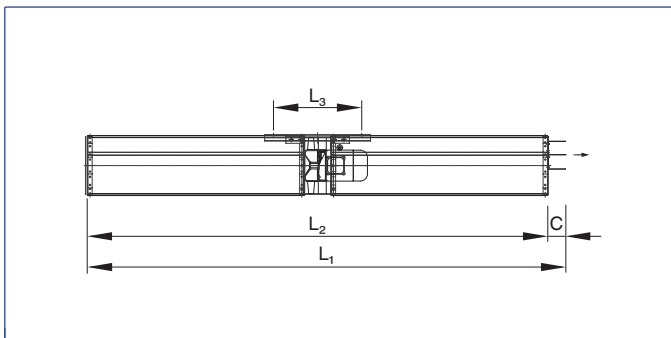
BVGAXO-C



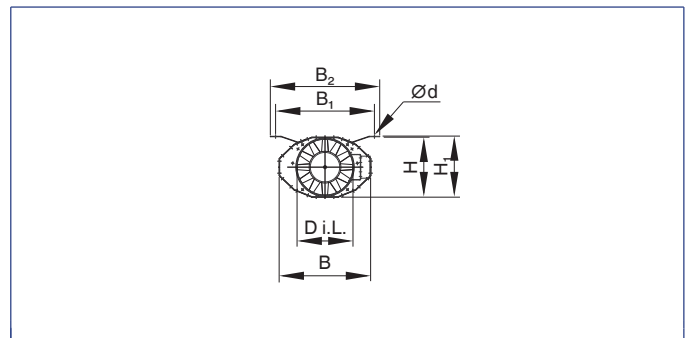
BVGAXO-C



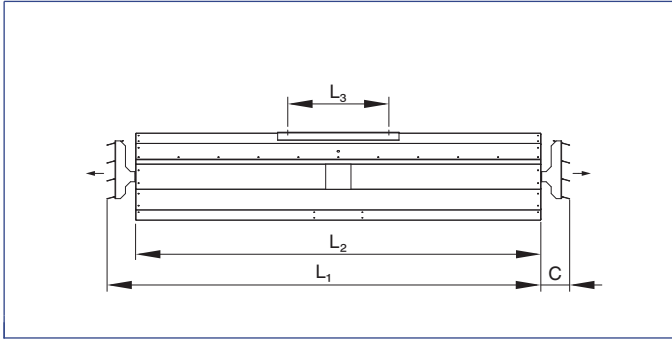
BVGAXN



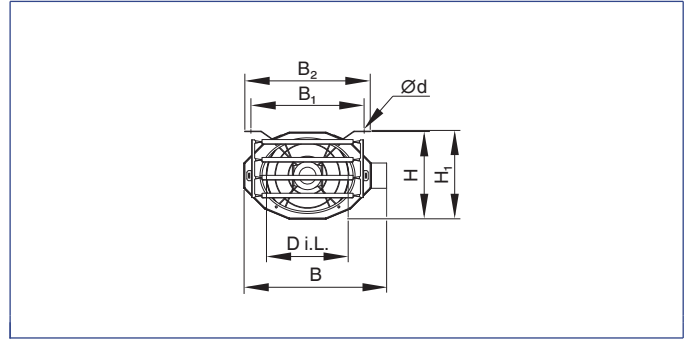
BVGAXN



BVGAXR-C



BVGAXR-C



BVGAXO-C, dimensions [mm]

①	L_1	L_2	L_3	\varnothing clear width	B	B_1	B_2	H	H_1	$\varnothing d$	②
315	2111	2005	500	320	596	560	620	340	345	12	95
400	2153	2005	500	401	706	560	620	430	430	12	100

① Nominal size • ② Weight (approx.) [kg]

BVGAXN, dimensions [mm]

①	L_1	L_2	L_3	\varnothing clear width	B	B_1	B_2	H	H_1	$\varnothing d$	②
315	2710	2610	500	320	520	560	620	340	345	12	95
400	2774	2648	500	401	630	560	620	430	435	12	100

① Nominal size • ② Weight (approx.) [kg]

BVGAXR-C, dimensions [mm]

①	L_1	L_2	L_3	\varnothing clear width	B	B_1	B_2	H	H_1	$\varnothing d$	c	②
315	2217	2005	500	320	569	560	620	340	345	12	106	95
400	2288	2005	500	401	706	560	620	430	435	12	142	100

① Nominal size • ② Weight (approx.) [kg]





Roof ventilation fans

	Specifications				
	DRH-Minivent	DRH	DRV-Minivent	DRV	DRV-EC
Flow current temperature					
Max. 50°C	●		●		
Max. 60°C		●		●	●
Max. 70°C			○		
Max. 80°C					
Max. 120°C					
Motor type					
Single-speed	●	●	●	●	
Dual-speed	●	●	●	●	
Can be regulated using a transformer	●	●	●	●	
Suitable for operation on a frequency inverter					
EC technology					●
Technical type					
Roof cowl DAX - soundproof and thermally insulated type with motor-powered shut-off damper					
Outlet guide vanes					
Adjustable impeller blades (at a standstill)					
Explosion Protection Directive 94/9/EC - "2014/34/EU" as of 01/2016					
Constant pressure / volume flow rate regulation					●
Motor protection	●	●	●	●	●
Air outlet - horizontal	●	●			
Air outlet - vertical			●	●	●
Motor in airflow	●	●	●	●	●
Motor encased - arranged outside of the airflow					
Motor encased - fresh air supply through cooling duct on the fan side					
Bellmouth in the base plate	●	●	●	●	●
Snow load class SL 1000					
Assembly on a flat or pitched roof	●	●	●	●	●
Technical data					
Max. volume flow rate (m³/h)	1,100	35,000	1,000	32,000	3,700
Max. pressure (Pa)	425	800	400	800	450
Max. drive capacity (kW)	0.115	5	0.115	5	
Nominal sizes (mm)	180-224	250-710	180-224	250-710	180-500
Material					
Impeller	Steel	Steel	Steel	Steel	Plastic / aluminium
Casing	Aluminium / steel	Aluminium / steel	Aluminium / steel	Aluminium / steel	Aluminium / steel
Accessories					
Volume flow rate measuring unit VME	○	○	○	○	○
Steel roof base for smooth roofs	○	○	○	○	○
Sound attenuating base	○	○	○	○	○
Silencing cover SDH (horizontal)	○	○			
Silencing cover SDV (vertical)			○	○	
Silencing cover SDV (vertical) with separate ventilation					
Outlet silencer SDI					
Air intake pipe					

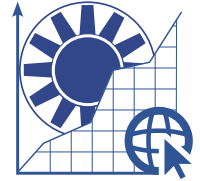
	Specifications				
	DRH-Minivent	DRH	DRV-Minivent	DRV	DRV-EC
Sleeve with tensioning strap					
Self-powered shut-off damper	○	○	○	○	○
Motor-powered shut-off damper	○	○	○	○	○
Flexible connectors	○	○	○	○	○
Matching flange	○	○	○	○	○
Equipotential bonding	○	○	○	○	○
Cover grille (inlet and outlet side)	○	○	○	○	○
Terminal box					○
Local isolator loose					
Local isolator attached (terminal box not required)	○	○	○	○	○
Insulated base plate	○	○	○	○	○
Tilting frame for foldable type	○	○	○	○	○
Deflector hood SL 1000					
Frequency inverter					
Silicone-free type					○
Surface protection					
C3	●	●	●	●	●
C4					
C5	○	○	○	○	○
Explanation					
● - Standard					
○ - Optional					



Roof ventilation fans

	Specifications				
	DRVF	DRVF-H	DRVF-K	DAXO	DAXN
Flow current temperature					
Max. 50°C					
Max. 60°C	●			●	●
Max. 70°C			●		
Max. 80°C				○	○
Max. 120°C		●			
Motor type					
Single-speed	●	●	●	●	●
Dual-speed	●	●	●	●	●
Can be regulated using a transformer					
Suitable for operation on a frequency inverter (not in the case of smoke extraction)	●	●	●	●	●
EC technology					
Technical type					
Roof cowl DAX - soundproof and thermally insulated type with motor-powered shut-off damper				●	●
Outlet guide vanes					●
Adjustable impeller blades (at a standstill)					●
Explosion Protection Directive 94/9/EC - "2014/34/EU" as of 01/2016	○	○	○		
Constant pressure / volume flow rate regulation					
Motor protection	○	○	○	○	○
Air outlet - horizontal					
Air outlet - vertical	●	●	●	●	●
Motor in airflow				●	●
Motor encased - arranged outside of the airflow	●				
Motor encased - fresh air supply through cooling duct on the fan side		●	●		
Bellmouth in the base plate	●	●	●	● In the case of "free inlet"	● In the case of "free inlet"
Snow load class SL 1000	○	○		●	●
Assembly on a flat or pitched roof	●	●	●	● Up to 25°	● Up to 25°
Technical data					
Max. volume flow rate (m ³ /h)	54,360	54,300	30,000	120,000	130,000
Max. pressure (Pa)	2,300	2,300	700	800	2,000
Max. drive capacity (kW)	30	30	7.5	45	75
Nominal sizes (mm)	180-500	250-710	160-710	315-1120	315-1120
Material					
Impeller	Steel	Steel	Plastic	Plastic / aluminium	Aluminium
Casing	Aluminium / steel	Aluminium / steel	Plastic	Aluminium / steel	Aluminium / steel
Accessories					
Volume flow rate measuring unit VME	○	○			○
Steel roof base for smooth roofs	○	○	○		
Sound attenuating base	○	○	○		
Silencing cover SDH (horizontal)					
Silencing cover SDV (vertical)	○				
Silencing cover SDV (vertical) with separate ventilation		○			

	Specifications				
	DRVF	DRVF-H	DRVF-K	DAXO	DAXN
Outlet silencer SDI		○			
Air intake pipe			○		
Sleeve with tensioning strap			○		
Self-powered shut-off damper	○	○	○		
Motor-powered shut-off damper	○	○			
Flexible connectors	○	○		○	○
Matching flange	○	○		○	○
Equipotential bonding	○	○		○	○
Cover grille (inlet and outlet side)	○	○	○	○ Inlet side	○ Inlet side
Terminal box	○ In the case of "Ex requirement" too	○ In the case of "Ex requirement" too	○	○	○
Local isolator				○	○
Local isolator attached (terminal box not required)	○ In the case of "Ex requirement" too	○ In the case of "Ex requirement" too	○		
Insulated base plate	○	○			
Tilting frame for foldable type	○	○		○	○
Deflector hood SL 1000	○	○			
Frequency inverter	○	○	○	○	○
Silicone-free type	○	○	○	○	○
Surface protection					
C3	●	●			
C4					
C5	○	○	●	●	●
Explanation					
● - Standard					
○ - Optional					



For building ventilation

+ Features

- ▶ Meets all legal framework conditions set down in the German Energy Saving Ordinance
- ▶ Casing in corrosion protection category C5M as standard
- ▶ Casing available in all RAL colours
- ▶ Low operating and maintenance costs
- ▶ Building envelope's leakage and insulation properties are not compromised
- ▶ Heat transition class T4 (as per DIN EN 1866)
- ▶ Temperature bridge class TB4 (as per DIN EN 1866)
- ▶ Weatherproof and robust, snow load class SL 1000
- ▶ Powerful (volume flow rates exceeding 100,000 m³/h)

- ▶ Versatile (can be used with all TROX TLT axial fans)
- ▶ Lightweight and durable,
- ▶ Easy installation
- ▶ Bellmouth integrated in the case of free inlet

X Application

- ▶ Roof-mounted ventilation fan with free outlet, free inlet or connected on the inlet side.

◊ Variants

- ▶ Flat or pitched roof type

& Accessories

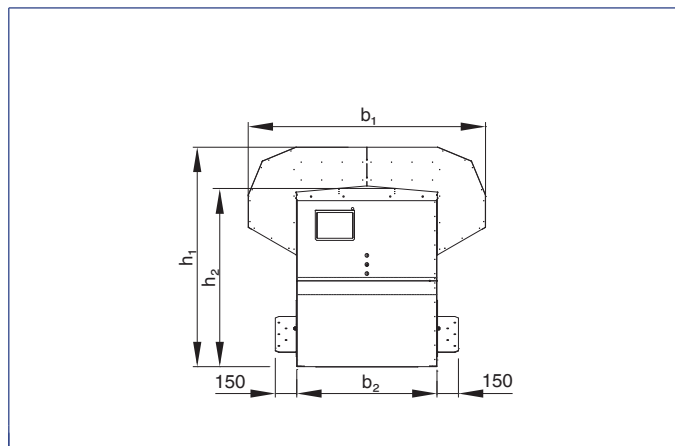
- ▶ Volume flow rate measuring unit VME

- ▶ Shock pulse bearing monitoring STI
- ▶ Flexible connectors
- ▶ Matching flange
- ▶ Equipotential bonding
- ▶ Cover grille (inlet side)
- ▶ Flow redresser
- ▶ Local isolator
- ▶ Frequency inverter
- ▶ Extract air and smoke extract controller
- ▶ Flow redresser

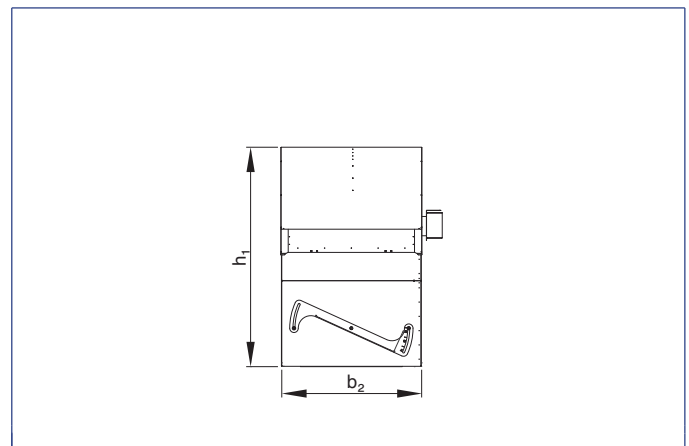
ISO Classification, standards and guidelines

- ▶ Heat transition class T4 (as per DIN EN 1866)
- ▶ Temperature bridge class TB4 (as per DIN EN 1866)
- ▶ Snow load class (SL 1000)

DAX



DAX



Dimensions [mm]

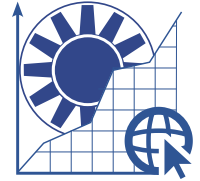
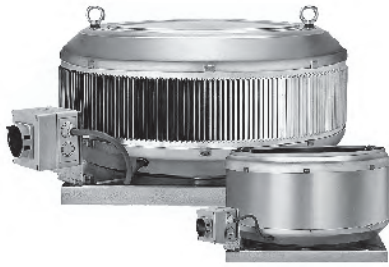
①	h1	h2	b1	b2
355	1176	947	1287	730
400	1176	947	1287	730
450	1176	947	1287	730
355	1376	1147	1287	730
400	1376	1147	1287	730
450	1376	1147	1287	730
500	1537	1258	1659	980
560	1537	1258	1659	980
630	1537	1258	1659	980
500	1818	1544	1659	980
560	1818	1544	1659	980
630	1818	1544	1659	980



①	h1	h2	b1	b2
710	2130	1772	2165	1300
800	2130	1772	2165	1300
900	2130	1772	2165	1300
710	2503	2145	2165	1300
800	2503	2145	2165	1300
900	2503	2145	2165	1300
1000	2675	2233	2605	1550
1120	2675	2233	2605	1550

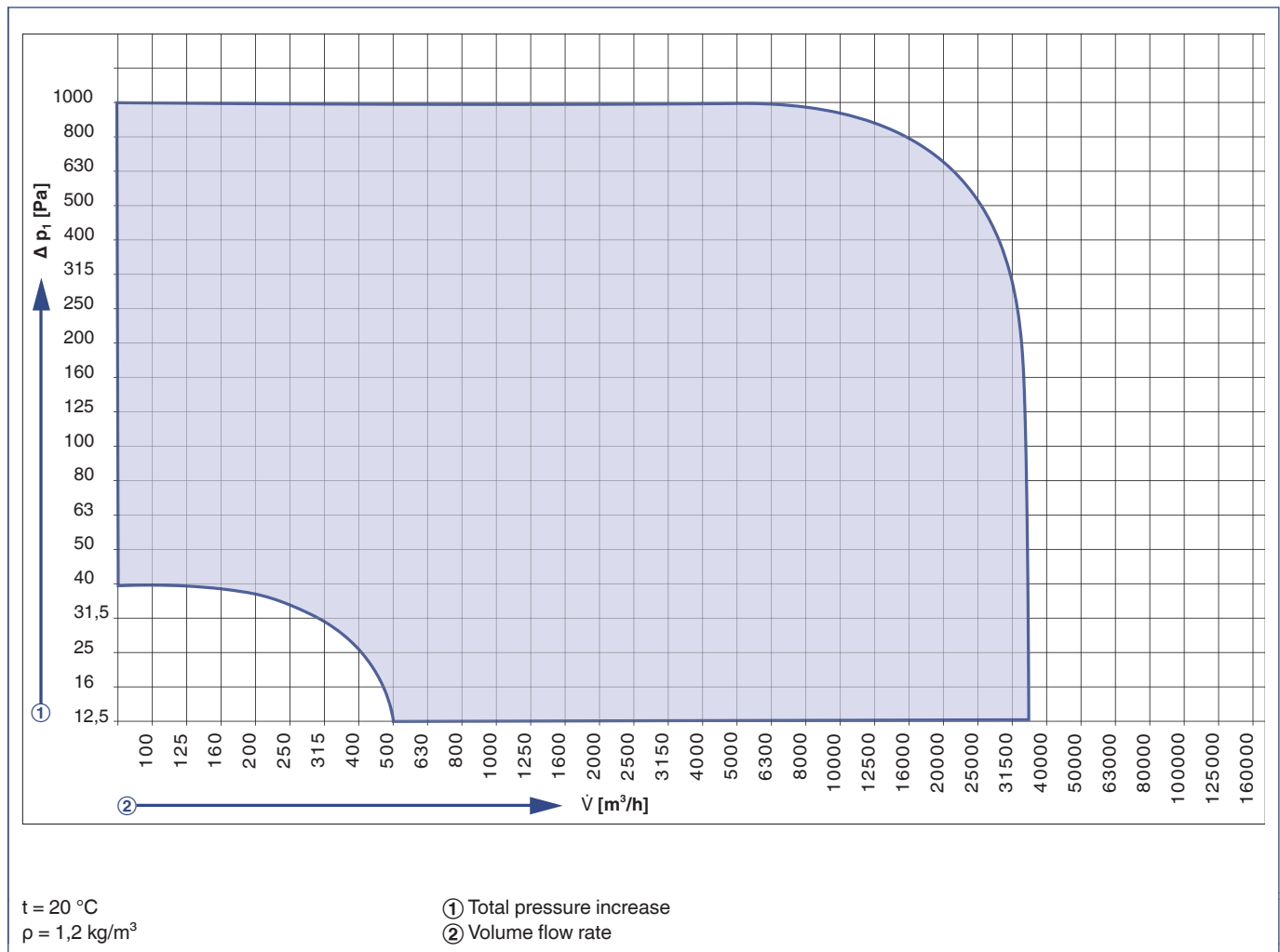
① Nominal size





For building ventilation

DRV/DRH Performance Range



+ Features

Can be assembled at an incline of up to 20° (available for bigger roof pitches upon request). The bellmouth is deep-drawn for the best flow properties and therefore enables high aerodynamic efficiency. The impeller is made of sheet steel, has backward curved blades and is dynamically balanced. The fan has an external rotor three-phase or alternating current motor and a closed design with moisture protection insulation. The motor is fully protected due to guided-out thermal contacts embedded in the motor winding

- ▶ 8 sizes
- ▶ More than 100 types

- ▶ Volume flow rate V max. 32,000 m³/h
- ▶ Total pressure increase p_1 max. 800 Pa

Application

- ▶ Roof-mounted extract air fan
- ▶ Free outlet
- ▶ Free inlet or pipeline on the inlet side

Variants

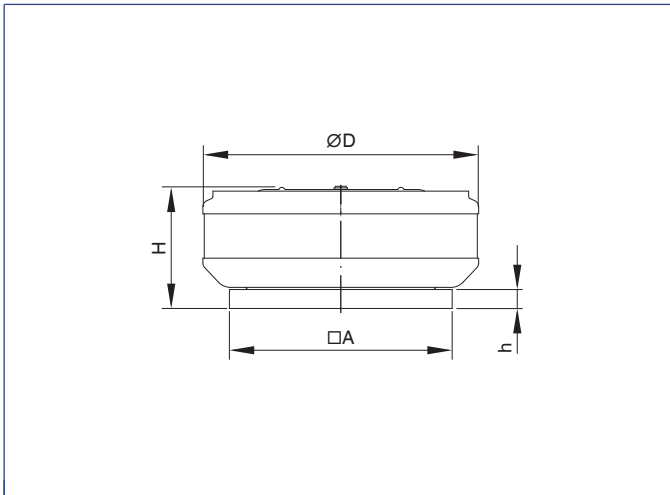
- ▶ Vertical outlet: DRV series
- ▶ Horizontal outlet: DRH series

& Accessories

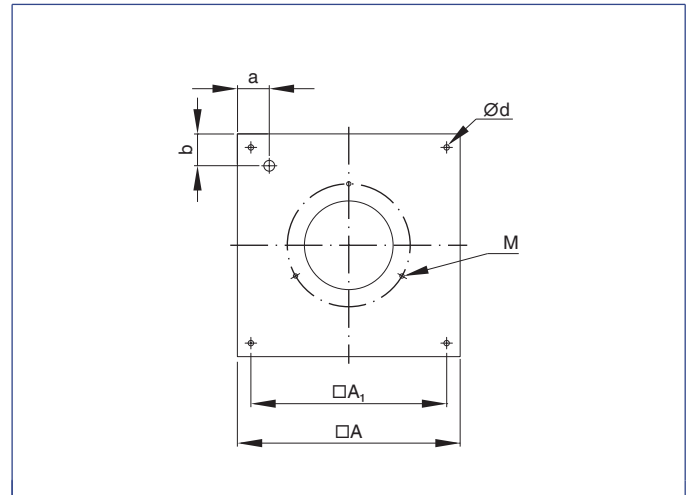
- ▶ Volume flow rate measuring unit VME
- ▶ Steel roof base for smooth roofs
- ▶ Sound attenuating base
- ▶ Silencing cover SDV (vertical)
- ▶ Self-powered shut-off damper (optional: thermally insulated damper blade)
- ▶ Motor-powered shut-off damper
- ▶ Flexible connectors
- ▶ Matching flange
- ▶ Equipotential bonding
- ▶ Cover grille (inlet and outlet side)
- ▶ Local isolator attached (terminal box not required)
- ▶ Insulated base plate
- ▶ Tilting frame for foldable type



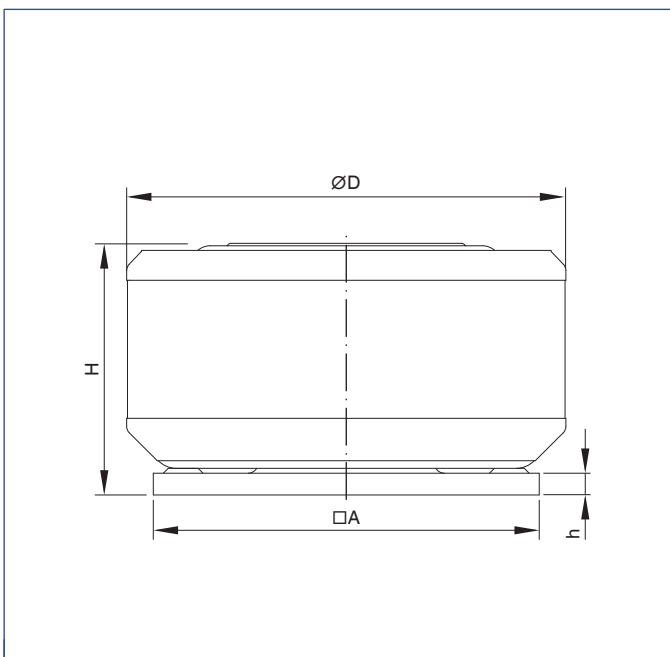
DRV Minivent 1-6 and DRV 224



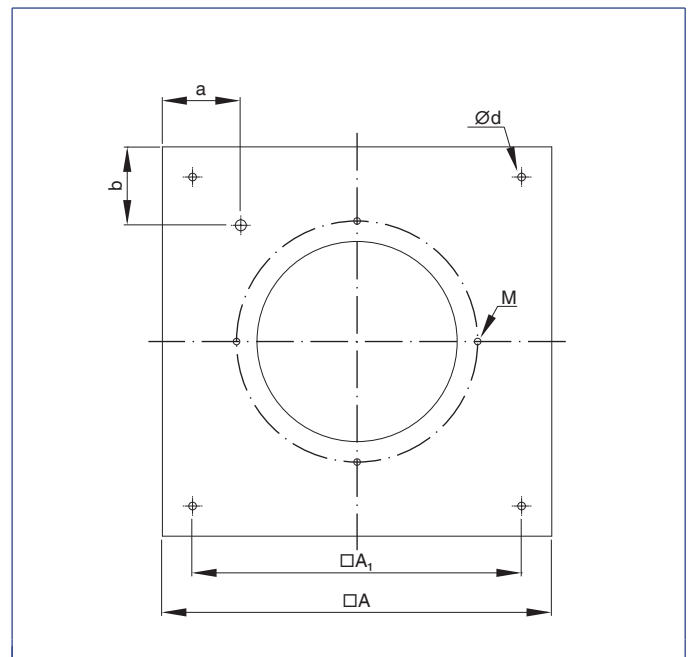
Base plate DRV Minivent 1-6 and DRV 224



DRV 250 to DRV 710



Base plate DRV 250 to DRV 710



DRV, dimensions [mm]

①	ØD	□A	H	h	□A1	a	b	Ød	M*
Minivent	510	412	217	34	362	59	59	10	6
224	638	412	257	34	362	59	59	10	6
250	638	560	430	40	460	175	87	14	6
315	638	560	430	40	460	110	110	14	6
355	808	710	450	40	600	143	143	14	8
400	808	710	450	40	600	143	143	14	8
500	993	1000	525	40	880	197	197	18	8
630	1272	1000	730	40	880	197	197	18	10
710	1272	1160	617	40	1040	265	195	18	10

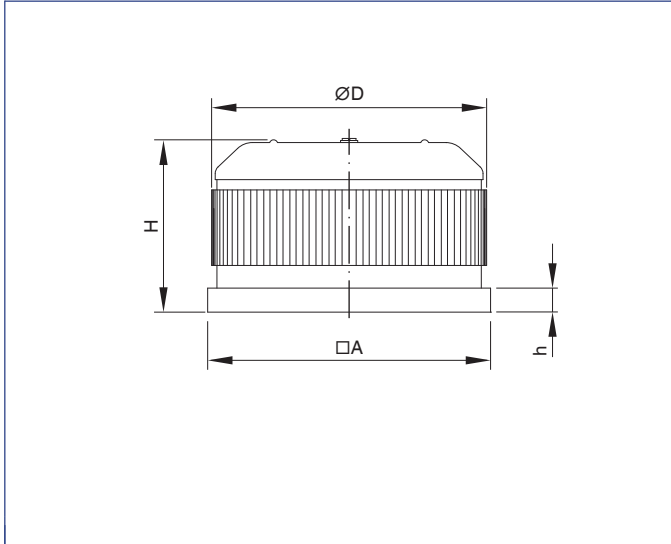
* Connecting flanges as per DIN 24154, Part 3. An air intake grille can be assembled directly on the base plate or on the flanges.

① Nominal size

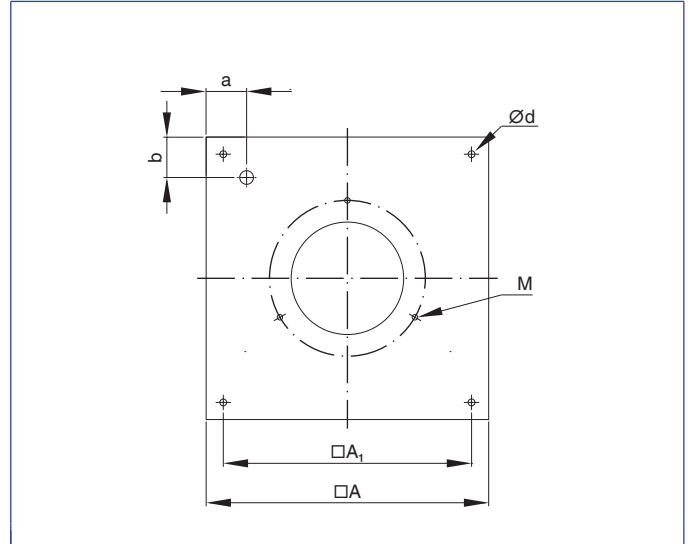




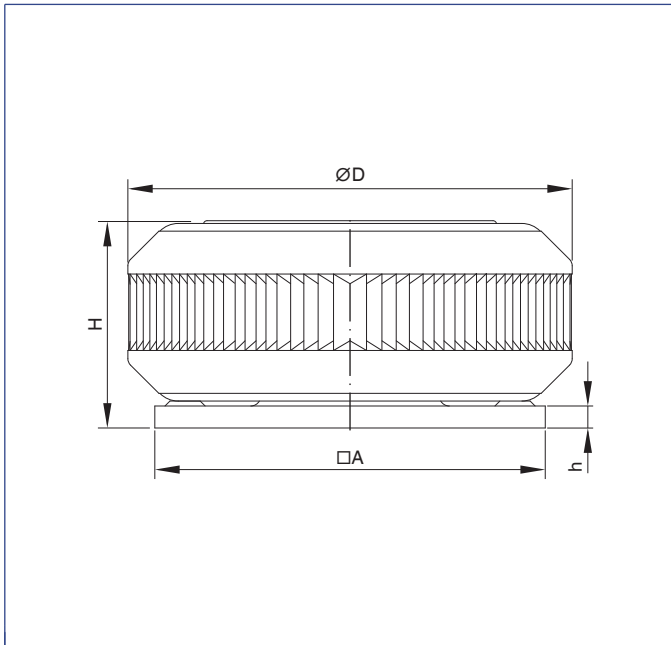
DRH Minivent 1-6 and DRH 224



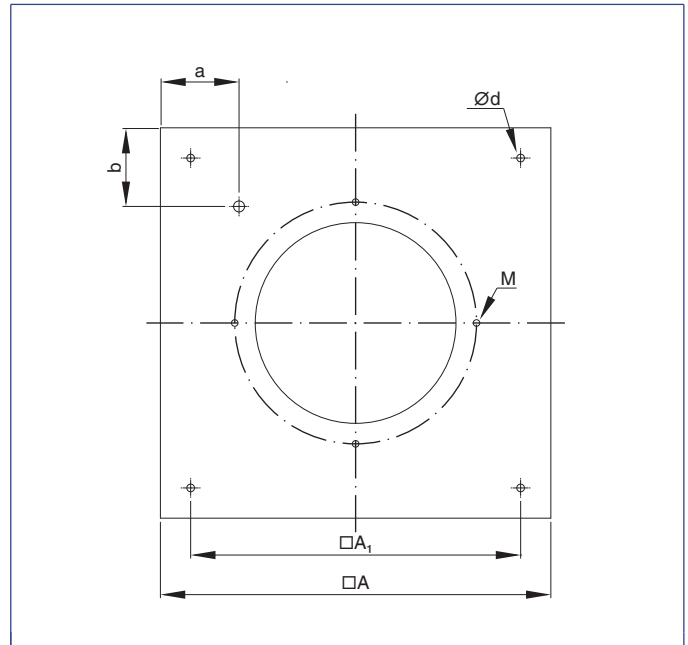
Base plate DRH Minivent 1-6 and DRH 224



DRH 250 to DRH 710



Base plate DRH 250 to DRH 710



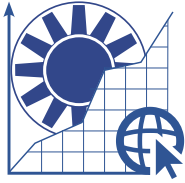
DRH, dimensions [mm]

①	ØD	□A	H	h	□A1	a	b	Ød	M*
Minivent	390	412	217	34	362	59	59	10	6
224	390	412	257	34	362	59	59	10	6
250	638	560	430	40	460	175	87	14	6
315	638	560	430	40	460	110	110	14	6
355	808	710	450	40	600	143	143	14	8
400	808	710	450	40	600	143	143	14	8
500	993	1000	525	40	880	197	197	18	8
630	1272	1000	730	40	880	197	197	18	10
710	1272	1160	617	40	1040	265	195	18	10

* Connecting flanges as per DIN 24154, Part 3. An air intake grille can be assembled directly on the base plate or on the flanges.

① Nominal size





Ventilation of buildings, offices and production facilities.

+ Features

- ▶ Energy-efficient, rotary speed-controllable and low-noise due to EC technology. Up to 50% energy savings achievable in practice
- ▶ Controlled ventilation possible (basic and needs-based ventilation)
- ▶ Optionally available with regulation (constant pressure or constant volume flow rate)
- ▶ Simple installation and maintenance-friendly
- ▶ High efficiency, even in controlled mode
- ▶ Rotary speed steplessly adjustable
- ▶ Operating point can be optimally adjusted to the system requirements
- ▶ Simple system balancing
- ▶ A system's volume flow rate and its pressure

can be regulated

- ▶ Cut operating costs
- ▶ Longer service life than conventional motors
- ▶ Unit sizes
- ▶ Volume flow rate V max. 3,700 m³/h
- ▶ Total pressure increase p₁ max. 450 Pa

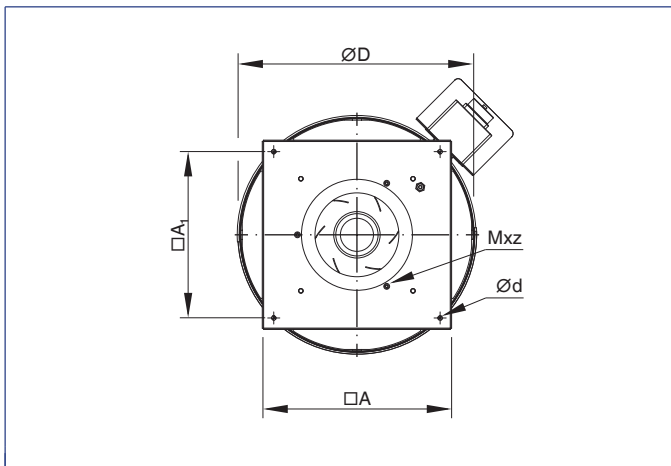
Application

- ▶ Roof-mounted extract air fan
- ▶ Free outlet
- ▶ Free inlet or pipeline on the inlet side

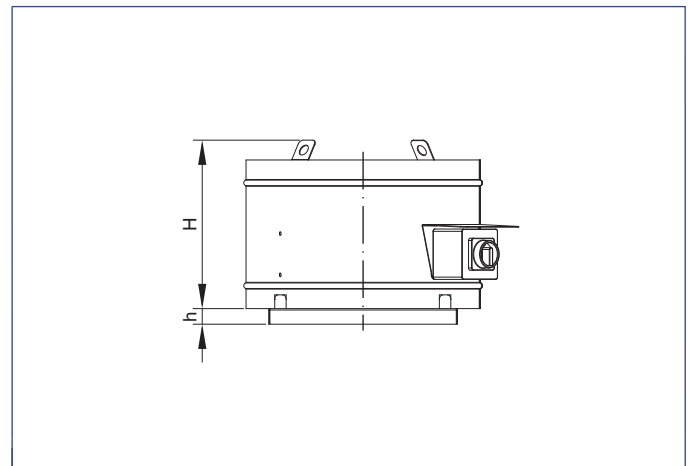
& Accessories

- ▶ Volume flow rate measuring unit VME
- ▶ Steel roof base for smooth roofs
- ▶ Sound attenuating base
- ▶ Self-powered shut-off damper (optional: thermally insulated damper blade)
- ▶ Motor-powered shut-off damper
- ▶ Flexible connectors
- ▶ Matching flange
- ▶ Equipotential bonding
- ▶ Cover grille (inlet and outlet side)
- ▶ Terminal box
- ▶ Insulated base plate
- ▶ Tilting frame for foldable type
- ▶ Silicone-free type

Base plate DRV-B-EC



DRV-B-EC

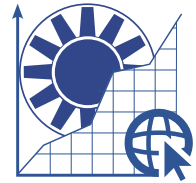


Dimensions [mm]

①	ØD	□A	H	h	□A ₁	Ød	M
180	64	409	338	34	362	10	M6 x 3
250	494	557	408	40	460	14	M6 x 3
315-L	694	557	421	40	460	14	M8 x 4
315-H1	694	557	458	40	460	14	M8 x 4
315-H2	694	557	458	40	460	14	M8 x 4
355	861	706	511	40	600	14	M8 x 4
400	861	7706	524	40	600	14	M8 x 6
500-L	1116	995	586	40	880	18	M8 x 6
500-H	1116	995	586	40	880	18	M8 x 6

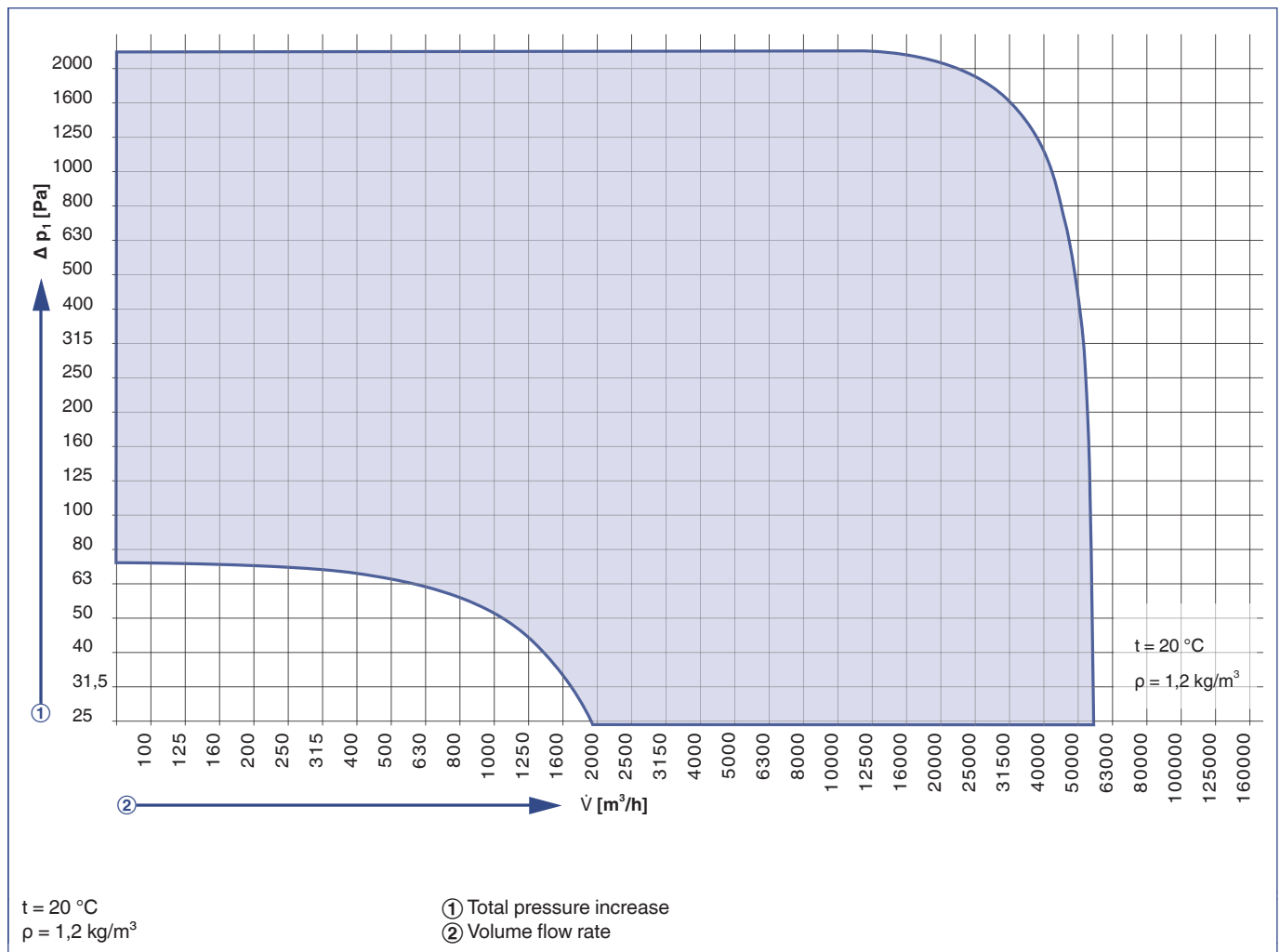
① Nominal size





For ventilating buildings, offices and production facilities, for extracting air from kitchens and for extracting aggressive gases or vapours.

DRVF-H Performance Range



+ Features

The bellmouth is deep-drawn for the best flow properties and therefore enables high aerodynamic efficiency. The shape of the casing guarantees a truly vertical, powerfully guided air jet. Cooling air is supplied to the motor via a duct

- ▶ 7 sizes
- ▶ More than 100 types
- ▶ For a volume flow rate of max. 54,300 m³/h
- ▶ Explosion protection as per ATEX up to Ex II 2/2 G c IIB T4
- ▶ DRVF-H series: max. temp. +60°C in

continuous operation

- ▶ DRVF-H series: max. temp. +120°C in continuous operation, suitable for kitchen extract air
- ▶ Satisfies VDI Guidelines 2078 and 2052.

Application

- ▶ Roof-mounted extract air fan
- ▶ Free outlet
- ▶ Free inlet or pipeline on the inlet side
- ▶ Suitable for fatty kitchen extract air

◊ Variants

- ▶ DRVF (DS standard motor)
- ▶ DRVF-SDV (DS standard motor, with sound attenuation cowl)
- ▶ DRVF-H (DS standard motor encapsulated from the flow and separately ventilated)
- ▶ DRVF-H-SDI (DS standard motor encapsulated from the flow and separately ventilated, soundproof)
- ▶ DRVF-H-SDV (DS standard motor encapsulated from the flow and separately ventilated, with sound attenuation cowl)



& Accessories

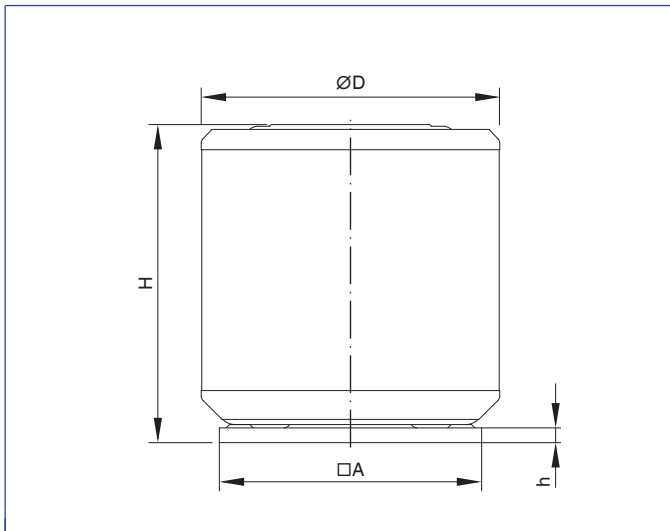
- ▶ Volume flow rate measuring unit VME
- ▶ Steel roof base for smooth roofs
- ▶ Sound attenuating base
- ▶ Silencing cover SDV (vertical) with separate ventilation
- ▶ Outlet silencer SDI
- ▶ Self-powered shut-off damper
- ▶ Motor-powered shut-off damper
- ▶ Flexible connectors
- ▶ Matching flange
- ▶ Equipotential bonding
- ▶ Cover grille (inlet and outlet side)
- ▶ Terminal box
- ▶ Local isolator attached (terminal box not required)
- ▶ Insulated base plate
- ▶ Tilting frame for foldable type
- ▶ Deflector hood SL 1000

- ▶ Frequency inverter
- ▶ Silicone-free type

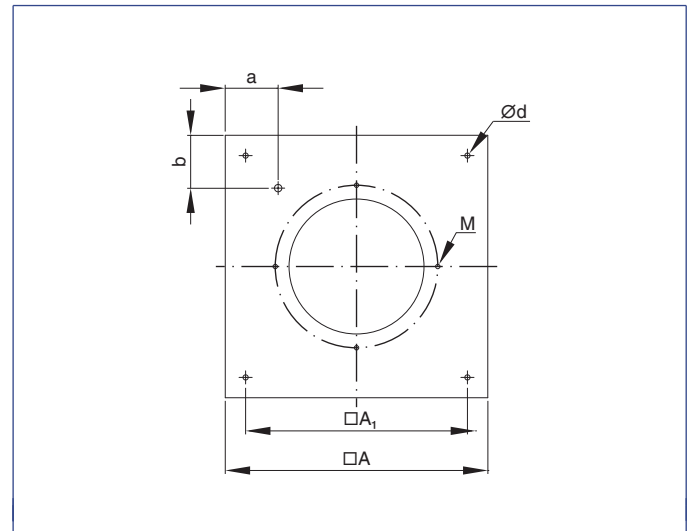
ISO Classification, standards and guidelines

- ▶ DRVFH and DRVFH-SDI: VDI Guidelines 2078 and 2052.

DRVF/DRVF-H 710



Base plate DRVF/DRVF-H 710



Dimensions [mm]

①	ØD	□A	H	h	□A1	a	b	Ød	M*
250	638	560	695	40	460	175	87	14	6
315	638	560	695 ¹⁾	40	175	87	14	6	317
355	808	710	772	40	600	143	143	14	8
400	808	710	848	40	600	143	143	14	8
500	993	1000	923	40	880	197	197	18	8
630	1272	1000	1337	40	880	197	197	18	10
630XL	1500	1000	1337	40	880	197	197	18	10
710	1272	1160	1337	40	1040	265	195	18	10

* Connecting flanges as per DIN 24154, Part 3. An air intake grille can be assembled directly on the base plate or on the flanges.

¹⁾ DRVF/DRVF-H 315/30-2 = 744

① Nominal size





Ventilation axial fans

	Specifications						
	AXN						ZAXN
	12/56	12/56KSE	12/56 R1	12/56 R2	12/50	12/45	6/9/12/56
Flow rate temperature							
Max. 60°C	●	●	●	●	●	●	●
Max. 80°C	○	○	○	○	○	○	○
Max. 100°C	○	○	○	○	○	○	○
Motor type							
Single-speed	●	●	●	●	●	●	●
Dual-speed	●	●	●	●	●	●	●
Suitable for operation on a frequency inverter (in ventilation mode)	●	●	●	●	●	●	●
Technical type							
Outlet guide vanes	●	●	●	●	●	●	●
Adjustable impeller blades (at a standstill)	●	●	●	●			●
Characteristic curve stabiliser		●					
Reversing mode							
Direct driven	●	●			●	●	●
Explosion Protection Directive 94/9/EC - "2014/34/EU" as of 01/2016	○				○	○	○
Belt drive			●	●			
Wall installation	○						
Wall mounting plate	○						
Outlet box							
Swing-out "motor impeller unit" (M-A style)	○				○	○	○
Two motor impeller units in series							●
Air direction "D" (motor in outlet)	●	●	●	●	●	●	●
Air direction "S" (motor in inlet)							
Motor in airflow	●	●			●	●	●
Motor cooling with ambient air			●	●			
Technical data							
Max. volume flow rate [m³/h]	400,000	400,000	10,000	315,000	425,000	450,000	400,000
Max. pressure [Pa]	2,600	2,600	1,500	1,700	2,000	2,000	3,000-4.500
Max. drive capacity [kW]	355	355	37	200	355	355	2 x 355
Nominal sizes [mm]	250-2.000	400-1.600	2,000	2,000	2,240	2,500	315-2.000
Material							
Impeller	Aluminium	Aluminium	Aluminium	Aluminium	Aluminium	Aluminium	Aluminium
Casing	Steel	Steel	Steel	Steel	Steel	Steel	Steel
Accessories							
Roof cowl DAX	○						
Volume flow rate measuring unit VME	○				○	○	○
Shock pulse bearing monitoring STI	○	○	○	○	○	○	○
Thermal motor protection	○	○	○	○	○	○	○
Acoustic and thermal insulation	○	○			○	○	○
Weather protection roof for acoustic and thermal insulation	○				○	○	○
Round silencers TSR (inlet and outlet side)	○		○	○	○	○	○
Round silencers TSR with interior core (inlet and outlet side)	○	○	○	○	○	○	○
Extension duct	○	○	○	○	○	○	○
Inspection hatch	○	○	○	○	○	○	○
Self-powered shut-off damper	○	○	○	○	○	○	○

	Specifications						
	AXN						ZAXN
	12/56	12/56KSE	12/56 R1	12/56 R2	12/50	12/45	6/9/12/56
Flexible connectors	○	○	○	○	○	○	○
Matching flange	○	○	○	○	○	○	○
Equipotential bonding	○	○	○	○	○	○	○
Bellmouth	○	○	○	○	○	○	○
Cover grille (inlet and outlet side)	○	○	○	○	○	○	○
Spark protection plate	○				○	○	
Diffuser	○	○	○	○	○	○	
Diffuser with interior core	○	○	○	○	○	○	○
Outlet duct with cover griller	○	○	○	○	○	○	○
Mounting feet	○	○	○	○	○	○	○
Brackets (for vertical assembly)	○	○	○	○	○	○	○
Spring anti-vibration mounts	○	○	○	○	○	○	○
Rubber anti-vibration mounts	○	○	○	○	○	○	○
Terminal box	○	○	○	○	○	○	○
Local isolator loose (for outside of fire area)	○	○	○	○	○	○	○
Local isolator loose (for outside of fire area)	○	○	○	○	○	○	○
Local isolator attached (terminal box not required)	○	○	○	○	○	○	○
Angular wall ring with brackets (inlet and outlet side)	○	○	○	○	○	○	○
Flow redresser	○	○	○	○	○	○	○
Silicone free	○						
Surface protection							
Corrosion protection category	●	●	●	●	●	●	●
Corrosion protection category C	○	○	○	○	○	○	○
Corrosion protection category C4	○	○	○	○	○	○	○
Corrosion protection category C5	○	○			○	○	○
Explanation							
Standard	●						
Optional	○						

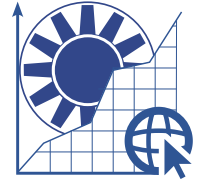
Ventilation axial fans

	Specifications				
	AXO			WAXN	WAXO
	Standard	10/50	9/27		
Flow rate temperature					
Max. 60°C	●	●	●	●	●
Max. 80°C	○	○	○	○	○
Max. 100°C	○	○	○	○	○
Motor type					
Single-speed	●	●	●	●	●
Dual-speed	●	●	●	●	●
Suitable for operation on a frequency inverter (in ventilation mode)	●	●	●	●	●
Technical type					
Outlet guide vanes					
Adjustable impeller blades (at a standstill)		●		●	
Characteristic curve stabiliser					
Reversing mode		●	●		
Direct driven	●	●	●	●	●



	Specifications				
	AXO			WAXN	WAXO
	Standard	10/50	9/27		
Explosion Protection Directive 94/9/EC - "2014/34/EU" as of 01/2016	○				
Belt drive					
Wall installation	○	○	○	●	●
Wall mounting plate	○	○	○	●	●
Outlet box				●	●
Swing-out "motor impeller unit" (M-A style)	○	○	○		
Two motor impeller units in series					
Air direction "D" (motor in outlet)	●	●	●	●	●
Air direction "S" (motor in inlet)	○	●			
Motor in airflow	○●	●	●	●	●
Motor cooling with ambient air					
Technical data					
Max. volume flow rate [m³/h]	250,000	200,000	200,000	50,000	40,000
Max. pressure [Pa]	1,800	1,600	1,000	1,650	1,250
Max. drive capacity [kW]	160	132	55	22	22
Nominal sizes [mm]	315-1.600	315-1.600	315-1.600	400/500/630/800	400/500/630/800/ 1,000
Material					
Impeller	Aluminium / plastic	Steel	Steel	Aluminium	Aluminium / plastic / steel
Casing	Steel	Steel	Steel	Steel	Steel
Accessories					
Roof cowl DAX	○	○	○		
Volume flow rate measuring unit VME		○	○	○	○
Shock pulse bearing monitoring STI	○	○	○	○	○
Thermal motor protection	○	○	○	○	○
Acoustic and thermal insulation	○	○	○		
Weather protection roof for acoustic and thermal insulation	○	○	○		
Round silencers TSR (inlet and outlet side)	○	○	○		
Round silencers TSR with interior core (inlet and outlet side)					
Extension duct	○	○	○		
Inspection hatch	○	○	○		
Self-powered shut-off damper	○	○	○		
Flexible connectors	○	○	○	○	○
Matching flange	○	○	○	○	○
Equipotential bonding	○	○	○	○	○
Bellmouth	○	○	○	○	○
Cover grille (inlet and outlet side)	○	○	○	○	○
Spark protection plate	○				
Diffuser	○	○	○		
Diffuser with interior core					
Outlet duct with cover griller	○	○	○		
Mounting feet	○	○	○		
Brackets (for vertical assembly)	○	○	○		
Spring anti-vibration mounts	○	○	○		
Rubber anti-vibration mounts	○	○	○		

	Specifications				
	AXO			WAXN	WAXO
	Standard	10/50	9/27		
Terminal box	<input type="radio"/>	<input type="radio"/>	<input type="radio"/>	<input type="radio"/>	<input type="radio"/>
Local isolator loose	<input type="radio"/>	<input type="radio"/>	<input type="radio"/>	<input type="radio"/>	<input type="radio"/>
Local isolator attached (terminal box not required)	<input type="radio"/>	<input type="radio"/>	<input type="radio"/>		
Angular wall ring with brackets (inlet and outlet side)	<input type="radio"/>	<input type="radio"/>	<input type="radio"/>		
Flow redresser	<input type="radio"/>	<input type="radio"/>	<input type="radio"/>	<input type="radio"/>	<input type="radio"/>
Silicone free	<input type="radio"/>	<input type="radio"/>	<input type="radio"/>		
Surface protection					
Corrosion protection category C2	<input checked="" type="radio"/>	<input checked="" type="radio"/>	<input checked="" type="radio"/>	<input checked="" type="radio"/>	<input checked="" type="radio"/>
Corrosion protection category C3	<input type="radio"/>	<input type="radio"/>	<input type="radio"/>	<input type="radio"/>	<input type="radio"/>
Corrosion protection category C4	<input type="radio"/>	<input type="radio"/>	<input type="radio"/>	<input type="radio"/>	<input type="radio"/>
Corrosion protection category C5	<input type="radio"/>	<input type="radio"/>	<input type="radio"/>	<input type="radio"/>	<input type="radio"/>
Explanation					
Standard	<input checked="" type="radio"/>				
Optional	<input type="radio"/>				



Axial fans with direct drive for building ventilation and aeration

+ Features

Impellers with a different number of blades are used (5, 6, 8, 9, 10 or 12) depending on the size and the desired output; please specify when ordering. Compact size enables installation even when space is tight.

- ▶ M-D style: air direction with motor in outlet, with direct drive.
- ▶ Suitable in horizontal and vertical style.
- ▶ Casing available in all RAL colours
- ▶ Also available with acoustic insulation.
- ▶ Efficiency up to 68%
- ▶ 10 sizes
- ▶ Impeller's nominal \varnothing 315 to 1,600 mm
- ▶ Volume flow rate V max. 250,000 m³/h
- ▶ Total pressure increase pt max. 1,800 Pa
- ▶ M style with direct drive. Impeller assembled directly on the motor shaft
- ▶ Motors can come with thermal contacts or a PTC thermistor

X Application

- ▶ Ventilation fan for supply or exhaust air
- ▶ Free inlet or connected to the pipeline on the inlet side
- ▶ Free outlet or connected to the pipeline on the outlet side

◊ Variants

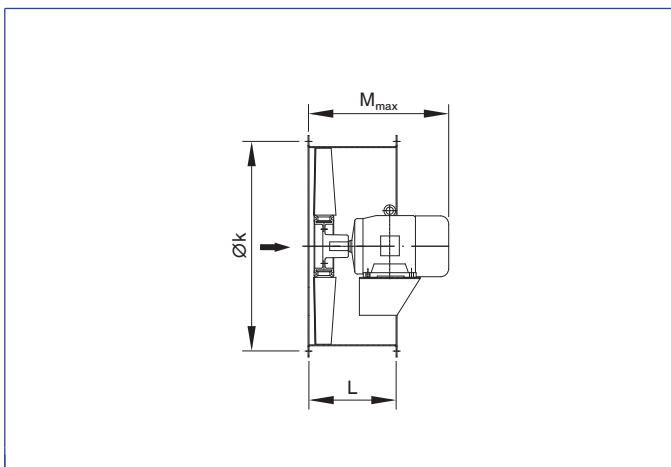
- ▶ M-S style: air direction with motor in inlet, with direct drive.
- ▶ Temperature limits
For ISO-F motors: 60°C
For ISO-H motors: 80°C.
- ▶ Fan for conveying potentially explosive media as per Directive 94/9/EC (ATEX 95) II 2/2 G c IIC + H2 T3 or II 2/2 G c IIB H2 T4 (pressure-resistant encased motor for rotary speed regulation via frequency inverter) reg. no. PTB 08 ATEX D074
- ▶ Design as wall-mounted smoke exhaust fan with wall mounting plate and outlet casing with self-powered multileaf damper

& Accessories

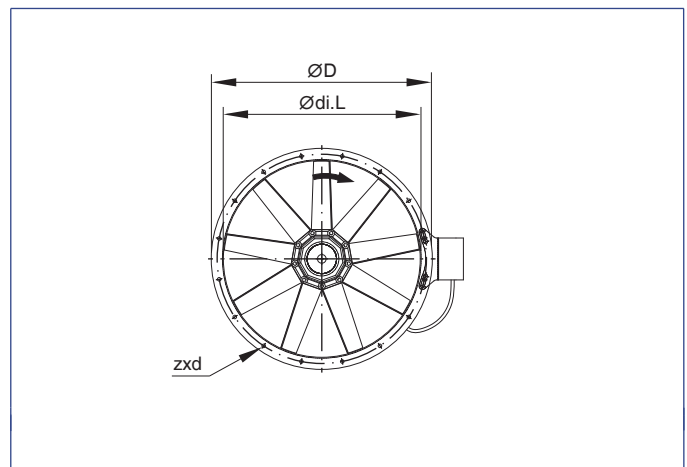
- ▶ Roof cowl DAX
- ▶ Shock pulse bearing monitoring STI
- ▶ Thermal motor protection
- ▶ Acoustic insulation
- ▶ Weather protection roof for acoustic insulation
- ▶ Round silencers TSR (inlet and outlet side)
- ▶ Extension duct
- ▶ Inspection hatch

- ▶ Self-powered shut-off damper
- ▶ Flexible connectors
- ▶ Matching flange
- ▶ Equipotential bonding
- ▶ Bellmouth
- ▶ Cover grille (inlet and outlet side)
- ▶ Diffuser
- ▶ Outlet duct with cover grille
- ▶ Mounting feet (for horizontal assembly)
- ▶ Brackets (for vertical assembly)
- ▶ Spring anti-vibration mounts
- ▶ Rubber anti-vibration mounts
- ▶ Local isolator attached (terminal box not required)
- ▶ Angular wall ring with brackets (inlet and outlet side)
- ▶ Flow redresser
- ▶ Silicone-free type
- ▶ Surface protection powder-coated and/or hot-dip galvanised in corrosion protection category C2 to C5M

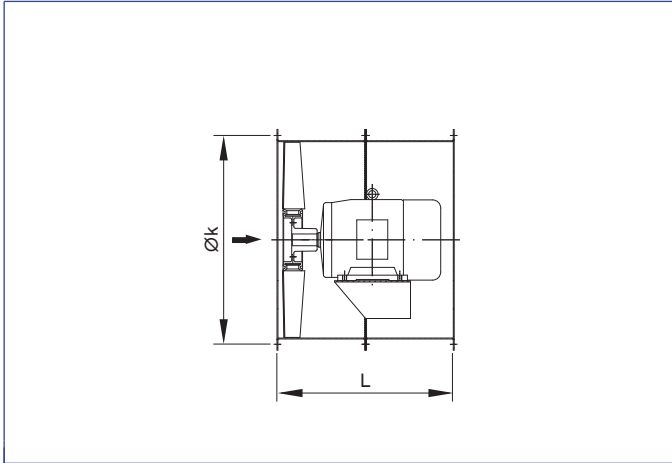
AXO to NG 1120



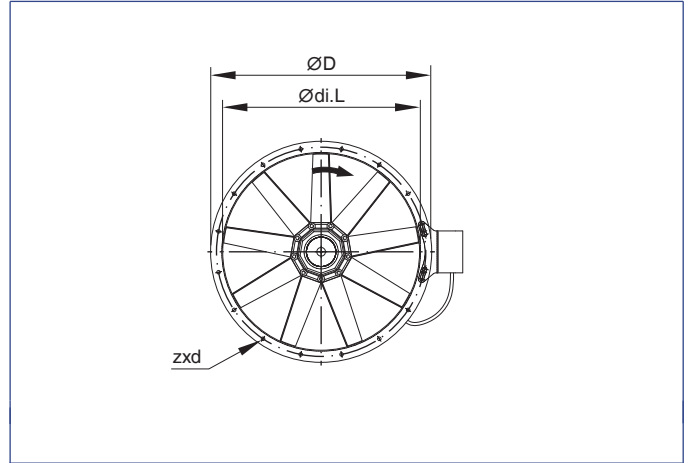
AXO to NG 1120



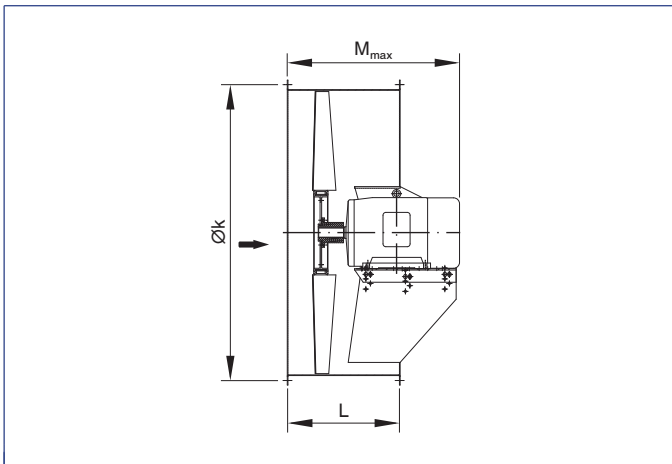
AXO to NG 1120 with extension duct



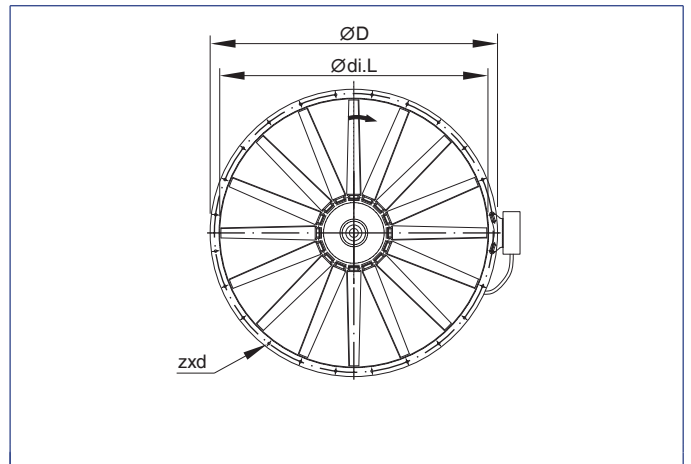
AXO to NG 1120 with extension duct



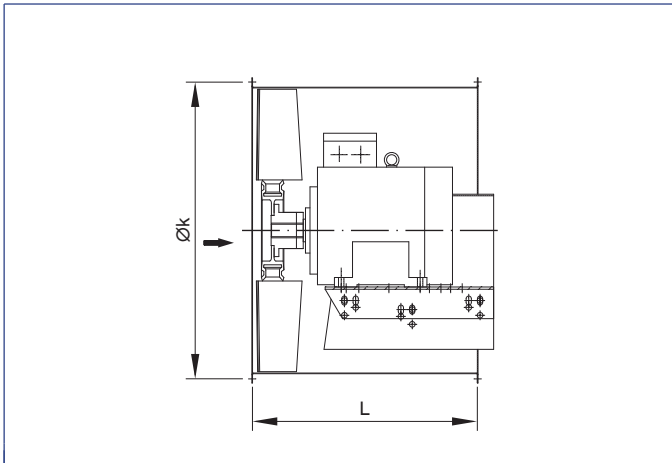
AXO as of NG 1250



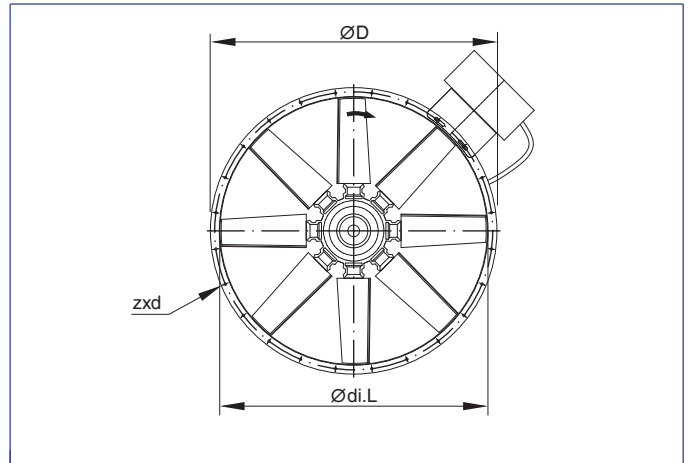
AXO as of NG 1250



AXO as of NG 1250 with extension duct



AXO as of NG 1250 with extension duct



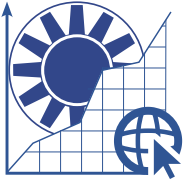


Dimensions [mm]

①	②	Ø clear width	Øk	ØD	zxd	L	M _{max}	③
315	71-80	320	356	386	8 × 9.5	150	265	6
400	71-90	401	438	468	12 × 9.5	188	348	11
	100	401	438	468	12 × 9.5	376	390	16
500	80-100	504	541	571	12 × 9.5	225	570	16
	90-132	504	541	571	12 × 9.5	450	451	22
630	90-112	634	674	712	16 × 11.5	286	595	30
	132	634	674	712	16 × 11.5	572	575	29
800	100-132	797	837	875	24 × 11.5	350	760	50
	160	797	837	875	24 × 11.5	700	810	70
1000	132-180	1003	1043	1081	24 × 11.5	415	730	85
1000	200	1003	1043	1081	24 × 11.5	830	770	105
1120	132-200	1124	1174	1214	24 × 11.5	450	825	110
1250	160-225	1261	1311	1351	24 × 11.5	500	⊗	⊗
	250-280	1261	1311	1351	24 × 11.5	1000	⊗	⊗
1400	180-225	1415	1465	1545	24 × 11.5	560	⊗	⊗
	250-315	1415	1465	1545	24 × 11.5	1120	⊗	⊗
1600	180-225	1587	1637	1717	32 × 11.5	630	⊗	⊗
	250-315	1587	1637	1717	32 × 11.5	1260	⊗	⊗

- ① Nominal size; an extension duct may be needed for different sizes in the case of vibration-dampened installation •
- ② Motor size B3 style •
- ③ Weight without motor (approx.) [kg] •
- ⊗ Upon request





Axial fans with direct drive for building ventilation and aeration

+ Features

- Different blade pitch angles are used depending on the size and the desired output; please specify when ordering. Compact size enables installation even when space is tight. Motors can come with thermal contacts or a PTC thermistor
- ▶ Suitable in horizontal and vertical style.
 - ▶ Effect-optimised steel impeller, efficiency up to 74%
 - ▶ Casing available in all RAL colours
 - ▶ Also available with acoustic insulation.
 - ▶ 15 sizes
 - ▶ Impeller's nominal \varnothing 315 to 1,600 mm
 - ▶ Volume flow rate V. max. 200,000 m³/h
 - ▶ Total pressure increase pt max. 1,000 Pa
 - ▶ M-D style: air direction with motor in outlet, impeller assembled directly on the motor shaft.
 - ▶ Conveying temperatures of up to +130°C possible with special motors (upon request)

Application

- ▶ Supply or exhaust air as round duct fan
- ▶ Free inlet or connected to the pipeline on the inlet side
- ▶ Free outlet or connected to the pipeline on the outlet side

Variants

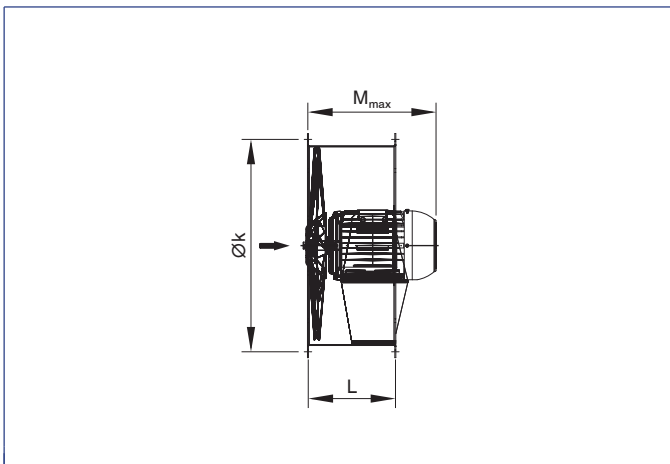
- ▶ Temperature limits
For ISO-F motors: 60°C
For ISO-H motors: 80°C.
Up to 130°C with special motors

& Accessories

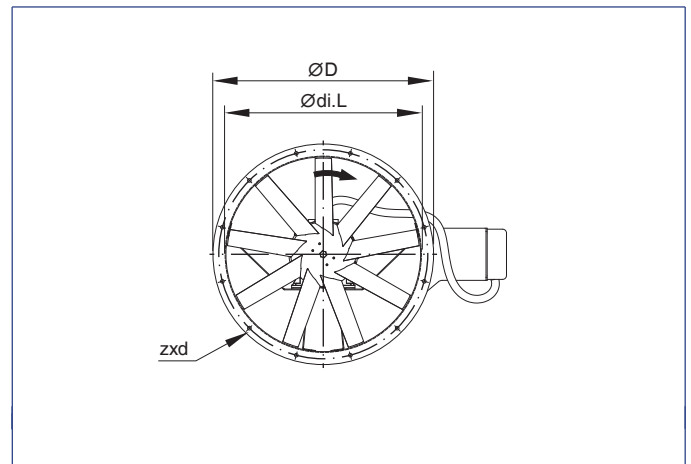
- ▶ Roof cowl DAX
- ▶ Shock pulse bearing monitoring STI
- ▶ Thermal motor protection
- ▶ Acoustic insulation
- ▶ Weather protection roof for acoustic insulation

- ▶ Round silencers TSR (inlet and outlet side)
- ▶ Extension duct
- ▶ Inspection hatch
- ▶ Self-powered shut-off damper
- ▶ Flexible connectors
- ▶ Matching flange
- ▶ Equipotential bonding
- ▶ Bellmouth
- ▶ Cover grille (inlet and outlet side)
- ▶ Diffuser
- ▶ Outlet duct with cover grille
- ▶ Mounting feet (for horizontal assembly)
- ▶ Brackets (for vertical assembly)
- ▶ Spring anti-vibration mounts
- ▶ Rubber anti-vibration mounts
- ▶ Local isolator attached (terminal box not required)
- ▶ Angular wall ring with brackets (inlet and outlet side)
- ▶ Flow redresser
- ▶ Silicone-free type
- ▶ Surface protection powder-coated and/or hot-dip galvanised in corrosion protection category C2 to C5M

AXO 9/27



AXO 9/27



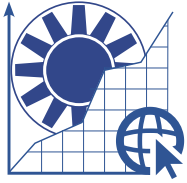


Dimensions [mm]

①	②	Ø clear width	Øk	ØD	zxd	L	M _{max}	③
315	71-80	320	356	386	8 x 9.5	150	265	6
400	71-90	401	438	468	12 x 9.5	188	348	11
	100	401	438	468	12 x 9.5	376	390	16
500	80-100	504	541	571	12 x 9.5	225	570	16
	90-132	504	541	571	12 x 9.5	450	451	22
630	90-112	634	674	712	16 x 11.5	286	595	30
	132	634	674	712	16 x 11.5	572	575	29
800	100-132	797	837	875	24 x 11.5	350	760	50
800	160	797	837	875	24 x 11.5	700	810	70
1000	132-180	1003	1043	1081	24 x 11.5	415	730	85
	200	1003	1043	1081	24 x 11.5	830	770	105
1120	132-200	1124	1174	1214	24 x 11.5	450	825	110
1250	160-225	1261	1311	1351	24 x 11.5	500	⊗	⊗
	250-280	1261	1311	1351	24 x 11.5	1000	⊗	⊗
1400	180-225	1415	1465	1545	24 x 11.5	560	⊗	⊗
	250-315	1415	1465	1545	24 x 11.5	1120	⊗	⊗
1600	180-225	1587	1637	1717	32 x 11.5	630	⊗	⊗
	250-315	1587	1637	1717	32 x 11.5	1260	⊗	⊗

- ① Nominal size; an extension duct may be needed for different sizes in the case of vibration-dampened installation •
- ② Motor size B3 style •
- ③ Weight without motor (approx.) [kg] •
- ⊗ Upon request





Axial fans with direct drive for building ventilation and aeriation

+ Features

Impellers with different blade pitch angles are used depending on the size and the desired output; please specify when ordering. Compact size enables installation even when space is tight. Motors with thermal contacts or a PTC thermistor upon request

- ▶ Suitable in horizontal and vertical style.
- ▶ Casing available in all RAL colours
- ▶ Also available with acoustic insulation.
- ▶ Efficiency up to 63%
- ▶ 15 sizes
- ▶ Impeller's nominal \varnothing 315 to 1,600 mm
- ▶ Volume flow rate V. max. 200,000 m³/h
- ▶ Total pressure increase pt max. 1,600 Pa
- ▶ M style - with direct drive. Impeller assembled directly on the motor shaft.

Application

- ▶ Supply or exhaust air as round duct fan
- ▶ Free inlet or connected to the pipeline on the inlet side
- ▶ Free outlet or connected to the pipeline on the outlet side
- ▶ Fan for reversible operation.

▣ Variants

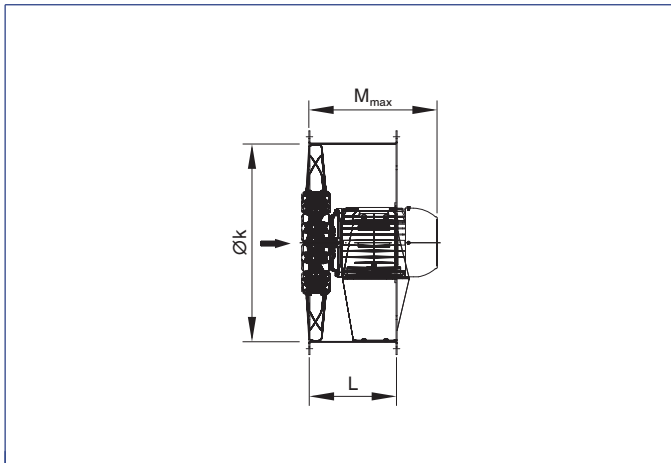
- ▶ Temperature limits
- For ISO-F motors: 60°C
- For ISO-H motors: 80°C.

& Accessories

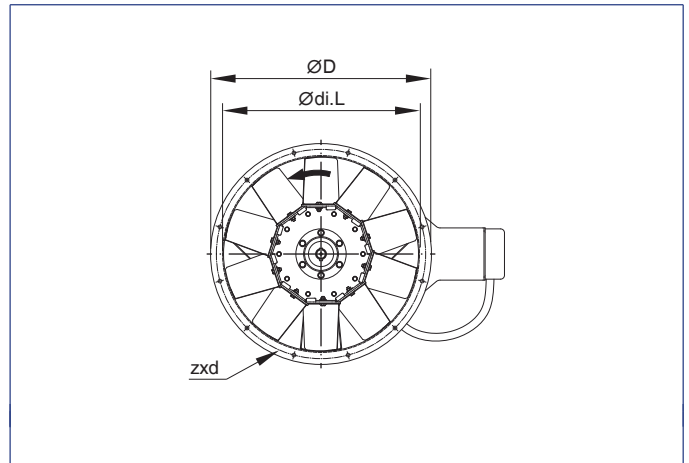
- ▶ Shock pulse bearing monitoring STI
- ▶ Thermal motor protection
- ▶ Acoustic insulation
- ▶ Weather protection roof for acoustic insulation
- ▶ Round silencers TSR (inlet and outlet side)

- ▶ Extension duct
- ▶ Inspection hatch
- ▶ Flexible connectors
- ▶ Matching flange
- ▶ Equipotential bonding
- ▶ Bellmouth
- ▶ Cover grille (inlet and outlet side)
- ▶ Diffuser
- ▶ Outlet duct with cover grille
- ▶ Mounting feet (for horizontal assembly)
- ▶ Brackets (for vertical assembly)
- ▶ Spring anti-vibration mounts
- ▶ Rubber anti-vibration mounts
- ▶ Local isolator attached (terminal box not required)
- ▶ Angular wall ring with brackets (inlet and outlet side)
- ▶ Flow redresser
- ▶ Silicone-free type
- ▶ Surface protection powder-coated and/or hot-dip galvanised in corrosion protection category C2 to C5M

AXO 10/50



AXO 10/50





Dimensions [mm]

①	②	Ø clear width	Øk	ØD	zxd	L	M _{max}	③
315	71-80	320	356	386	8 x 9.5	150	265	6
400	71-90	401	438	468	12 x 9.5	188	348	11
	100	401	438	468	12 x 9.5	376	390	16
500	80-100	504	541	571	12 x 9.5	225	570	16
	90-132	504	541	571	12 x 9.5	450	451	22
630	90-112	634	674	712	16 x 11.5	286	595	30
	132	634	674	712	16 x 11.5	572	575	29
800	100-132	797	837	875	24 x 11.5	350	760	50
	160	797	837	875	24 x 11.5	700	810	70
1000	132-180	1003	1043	1081	24 x 11.5	415	730	85
1000	200	1003	1043	1081	24 x 11.5	830	770	105
1120	132-200	1124	1174	1214	24 x 11.5	450	825	110
1250	160-225	1261	1311	1351	24 x 11.5	500	⊗	⊗
	250-280	1261	1311	1351	24 x 11.5	1000	⊗	⊗
1400	180-225	1415	1465	1545	24 x 11.5	560	⊗	⊗
	250-315	1415	1465	1545	24 x 11.5	1120	⊗	⊗
1600	180-225	1587	1637	1717	32 x 11.5	630	⊗	⊗
	250-315	1587	1637	1717	32 x 11.5	1260	⊗	⊗

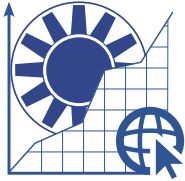
① Nominal size; an extension duct may be needed for different sizes in the case of vibration-dampened installation •

② Motor size B3 style •

③ Weight without motor (approx.) [kg] •

⊗ Upon request





Axial fans with direct drive and outlet guide vanes AXN 12/56

+ Features

- ▶ Extensive adjustments to the relevant operating point and subsequent motor rating corrections can be made by steplessly adjusting the impeller blades without any need to disassemble the impeller
- ▶ Optimised outlet guide vanes to increase the pressure coefficients.
- ▶ Low-noise operation due to low circumferential speeds caused by high pressure coefficients.
- ▶ 21 sizes
- ▶ Impeller's nominal \varnothing 250 to 2,500 mm
- ▶ Volume flow rate V. max. 400,000 m³/h
- ▶ Total pressure increase p_t max. 2,600 Pa
- ▶ M-D style: air direction with motor in outlet, with direct drive. Impeller assembled directly on the motor shaft
- ▶ Can be installed horizontally and vertically in the building and outdoors.
- ▶ Corrosion protection category up to C5M possible
- ▶ Casing available in all RAL colours

& Application

- ▶ Ventilation fan for supply or exhaust air
- ▶ Free inlet or connected to the pipeline on the

inlet side

- ▶ Free outlet or connected to the pipeline on the outlet side

& Variants

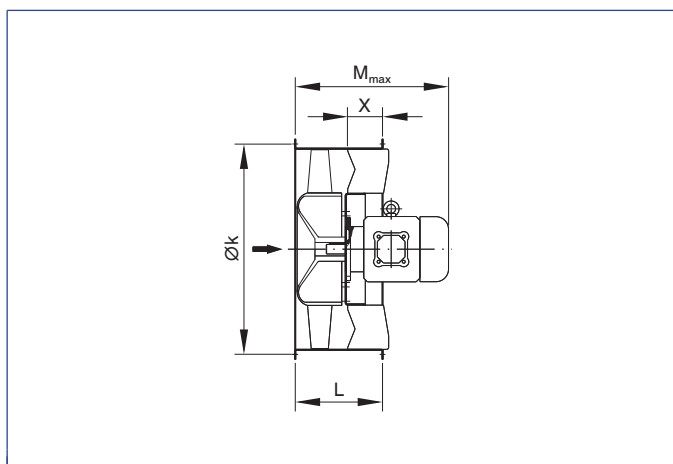
- ▶ Temperature limits
For ISO-F motors: 60°C
For ISO-H motors: 80°C.
Up to 130°C with special motors
- ▶ Fan for conveying potentially explosive media as per Directive 94/9/EC (ATEX 95)
II 2/2 G c IIC + H2 T3 or
II 2/2 G c IIB + H2 T4 (pressure-resistant encased motor for rotary speed regulation via frequency inverter) reg. no. PTB 08 ATEX D074
- ▶ Design as wall-mounted fan with wall mounting plate and outlet casing with self-powered multileaf damper
- ▶ Version with V-belt drive AXN 12/56 R1 and R2
- ▶ Swing-out version AXN 12/56 MA

& Accessories

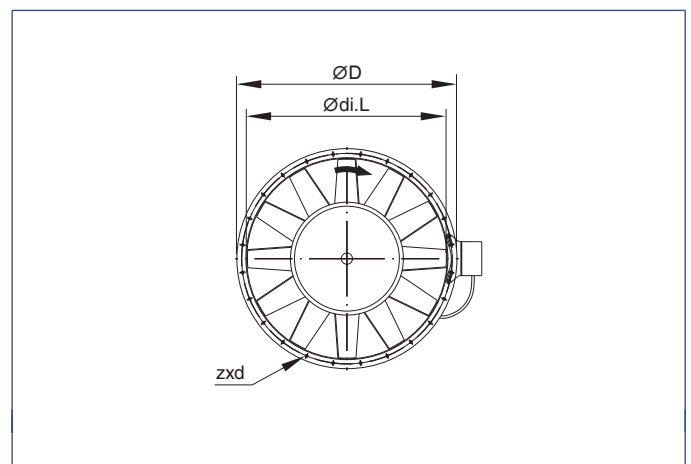
- ▶ Roof cowl DAX
- ▶ Volume flow rate measuring unit VME
- ▶ Shock pulse bearing monitoring STI

- ▶ Thermal motor protection
- ▶ Acoustic and thermal insulation
- ▶ Weather protection roof for acoustic and thermal insulation
- ▶ Round silencers TSR (inlet and outlet side)
- ▶ Round silencers TSR with interior core (inlet and outlet side)
- ▶ Extension duct
- ▶ Inspection hatch
- ▶ Self-powered shut-off damper
- ▶ Flexible connectors
- ▶ Matching flange
- ▶ Equipotential bonding
- ▶ Bellmouth
- ▶ Cover grille (inlet and outlet side)
- ▶ Spark protection plate
- ▶ Diffuser
- ▶ Diffuser with interior core
- ▶ Outlet duct with cover grille
- ▶ Mounting feet (for horizontal assembly)
- ▶ Brackets (for vertical assembly)
- ▶ Spring anti-vibration mounts
- ▶ Rubber anti-vibration mounts
- ▶ Local isolator attached (terminal box not required)
- ▶ Angular wall ring with brackets (inlet and outlet side)
- ▶ Flow redresser
- ▶ V-belt drive
- ▶ Silicone-free type

AXN 12/56



AXN 12/56



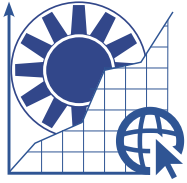


Dimensions [mm]

①	Ø clear width	Øk	ØD	Zxd	L	X	M _{max}	③
250	254	286	310	6 x 7	125	62	275	4
280	286	322	352	8 x 9.5	135	64	310	5
315	320	356	386	8 x 9.5	150	71	320	6.5
355	359	395	425	8 x 9.5	165	77	370	8
400	401	438	468	12 x 9.5	188	88	430	12
450	450	487	517	12 x 9.5	200	88	440	14
500	504	541	571	12 x 9.5	225	100	540	18
560	565	605	643	16 x 11.5	242	100	560	26
630	634	674	712	16 x 11.5	286	128	570	33
710	711	751	789	16 x 11.5	305	128	700	45
800	797	837	875	24 x 11.5	350	150	780	56
900	894	934	972	24 x 11.5	373	149	930	74
1000	1003	1043	1081	24 x 11.5	415	165	960	93
1120	1124	1174	1214	24 x 11.5	450	170	1200	120
1250	1261	1311	1351	24 x 11.5	500	185	1230	145
1400	1415	1465	1545	24 x 11.5	560	204	1020	460
1600	1587	1637	1717	32 x 11.5	630	230	1070	570
1800	1780	1830	1910	32 x 11.5	⊗	⊗	⊗	⊗
2000	1997	2047	2167	32 x 11.5	⊗	⊗	⊗	⊗

- ① Nominal size; an extension duct may be needed for different sizes in the case of vibration-dampened installation •
- ③ Weight without motor (approx.) [kg] •
- ⊗ Upon request





Axial fans with direct drive for building ventilation and aeration

+ Features

- ▶ Suitable in horizontal and vertical style.
- ▶ Increase in pressure coefficients due to optimised outlet guide vanes.
- ▶ The impeller blades can be steplessly adjusted without any need to disassemble the impeller. This adjustment option allows the user to make extensive adjustments to the relevant operating point, as well as subsequent motor rating corrections.
- ▶ High pressure coefficients enable low circumferential speeds and therefore low-noise operation
- ▶ Compact size enables installation even when space is tight
- ▶ M-D style - with direct drive, with motor in outlet. Impeller assembled directly on the motor shaft
- ▶ Upon request for higher pressures, or emergency mode / redundancy even possible in two-stage ZAXN-KSE 12/56 series
- ▶ Efficiency up to 89%
- ▶ Casing available in all RAL colours
- ▶ 12 sizes
- ▶ Impeller's nominal \varnothing 400 to 1,600 mm

- ▶ Volume flow rate V. max. 400,000 m³/h
- ▶ Total pressure increase pt max. 2,600 Pa

Application

- ▶ Supply or exhaust air as round duct fan
- ▶ Free inlet or connected to the pipeline on the inlet side
- ▶ Free outlet or connected to the pipeline on the outlet side
- ▶ Advanced stable characteristic curve due to characteristic curve stabiliser unit

Variants

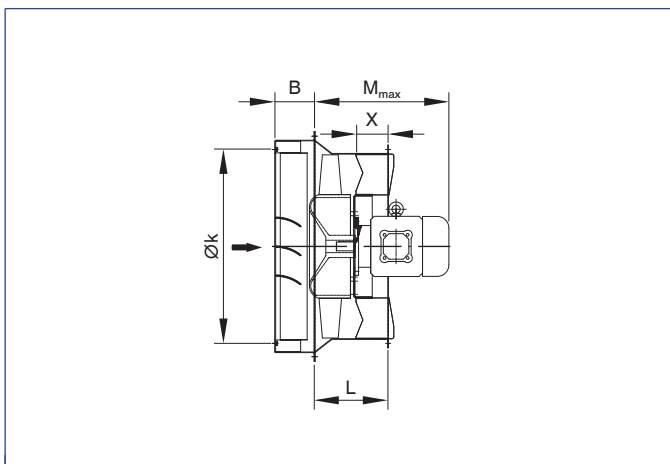
- ▶ Temperature limits
For ISO-F motors: 60°C
For ISO-H motors: 80°C.

& Accessories

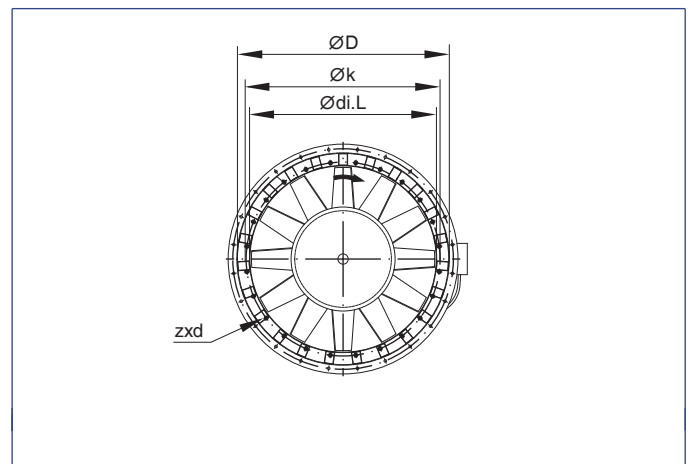
- ▶ Shock pulse bearing monitoring STI
- ▶ Thermal motor protection
- ▶ Round silencers TSR (inlet and outlet side)
- ▶ Round silencers TSR with interior core (inlet and outlet side)

- ▶ Extension duct
- ▶ Inspection hatch
- ▶ Self-powered shut-off damper
- ▶ Flexible connectors
- ▶ Matching flange
- ▶ Equipotential bonding
- ▶ Bellmouth
- ▶ Bellmouth pulled back when space is tight, e.g. in smoke pressure units (SPUs)
- ▶ Cover grille (inlet and outlet side)
- ▶ Diffuser
- ▶ Diffuser with interior core
- ▶ Outlet duct with cover grille
- ▶ Mounting feet (for horizontal assembly)
- ▶ Brackets (for vertical assembly)
- ▶ Spring anti-vibration mounts
- ▶ Rubber anti-vibration mounts
- ▶ Local isolator attached (terminal box not required)
- ▶ Angular wall ring with brackets (inlet and outlet side)
- ▶ Flow redresser
- ▶ Silicone-free type
- ▶ Surface protection powder-coated and/or hot-dip galvanised in corrosion protection category C2 to C5M

AXN-KSE 12/56



AXN-KSE 12/56





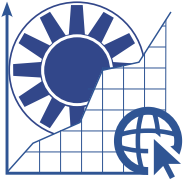
Dimensions [mm]

①	Ø clear width	Øk	ØD	Zxd	L	X	M _{max}	③
400	401	438	468	12 x 9.5	176	90	88	430
450	450	487	517	12 x 9.5	190	101	88	440
500	504	541	571	12 x 9.5	206	110	100	540
560	565	605	643	16 x 11.5	216	124	100	560
630	634	674	712	16 x 11.5	258	137	128	570
710	711	751	789	16 x 11.5	275	153	128	700
800	797	837	875	24 x 11.5	319	172	150	780
900	894	934	972	24 x 11.5	333	195	149	930
1000	1003	1043	1081	24 x 11.5	372	217	165	960
1120	1124	1174	1214	24 x 11.5	403	244	170	1200
1250	1261	1311	1351	24 x 11.5	445	271	185	1230
1400	1415	1465	1545	24 x 11.5	1190	303	764	-
1600	1587	1637	1717	32 x 11.5	1333	343	860	-

① Nominal size; an extension duct may be needed for different sizes in the case of vibration-dampened installation •

③ Weight without motor (approx.) [kg]





Axial fans with direct drive for building ventilation and aeration

+ Features

- ▶ Based on two fans connected in series, suitable for underground car park extract air (66% redundancy in emergency mode)
- ▶ Suitable in horizontal and vertical style.
- ▶ The desired operating point is achieved with the best efficiency due to the optional number of blades (6 / 9 / 12).
- ▶ Optimised outlet guide vanes for increasing the pressure coefficients, so low-noise operation due to low circumferential speed
- ▶ Extensive adjustments to the relevant operating point and subsequent motor rating corrections can be made by steplessly adjusting the impeller blades without any need to disassemble the impeller
- ▶ The total pressure increase is double that of single fans.
- ▶ Casing available in all RAL colours
- ▶ 15 sizes
- ▶ Impeller's nominal diameter 315 to 1,600 mm

- ▶ Volume flow rate 400,000 m³/h max.
- ▶ Total pressure increase max. 4,500 Pa

Application

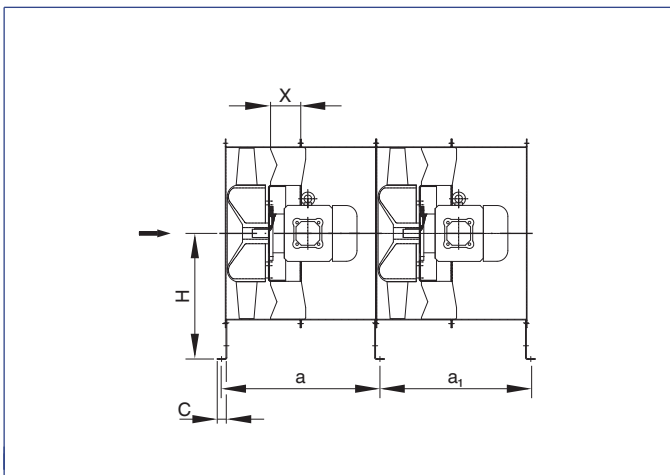
- ▶ Supply or exhaust air as round duct fan
- ▶ Free inlet or connected to the pipeline on the inlet side
- ▶ Free outlet or connected to the pipeline on the outlet side

& Accessories

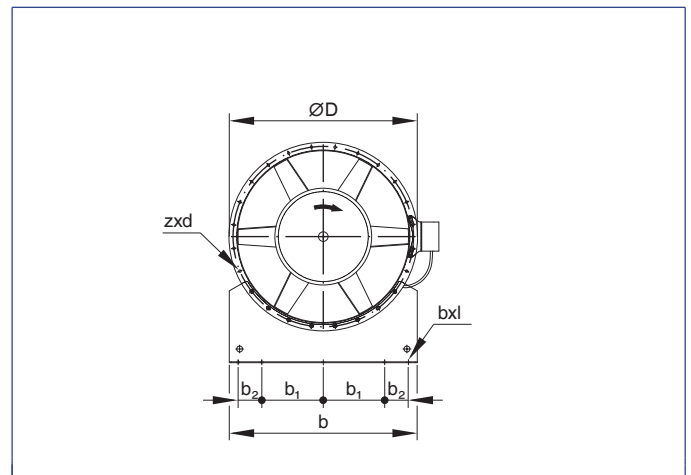
- ▶ Volume flow rate measuring unit VME
- ▶ Shock pulse bearing monitoring STI
- ▶ Thermal motor protection
- ▶ Acoustic insulation
- ▶ Weather protection roof for acoustic insulation
- ▶ Round silencers TSR (inlet and outlet side)
- ▶ Round silencers TSR with interior core (inlet and outlet side)
- ▶ Extension duct

- ▶ Inspection hatch
- ▶ Self-powered shut-off damper
- ▶ Flexible connectors
- ▶ Matching flange
- ▶ Equipotential bonding
- ▶ Bellmouth
- ▶ Cover grille (inlet and outlet side)
- ▶ Diffuser
- ▶ Diffuser with interior core
- ▶ Outlet duct with cover grille
- ▶ Mounting feet (for horizontal assembly)
- ▶ Brackets (for vertical assembly)
- ▶ Spring anti-vibration mounts
- ▶ Rubber anti-vibration mounts
- ▶ Local isolator attached (terminal box not required)
- ▶ Angular wall ring with brackets (inlet and outlet side)
- ▶ Flow redresser
- ▶ Silicone-free type
- ▶ Surface protection powder-coated and/or hot-dip galvanised in corrosion protection category C2 to C5M

ZAXN12/56

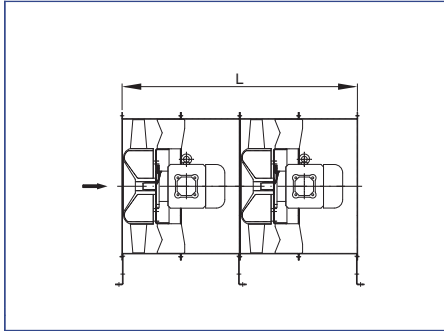


ZAXN12/56

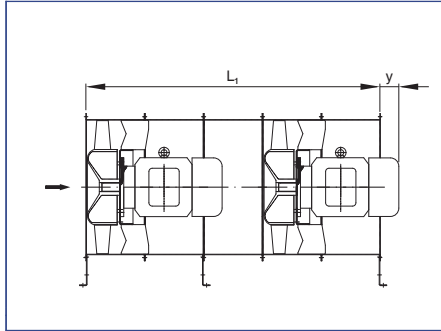




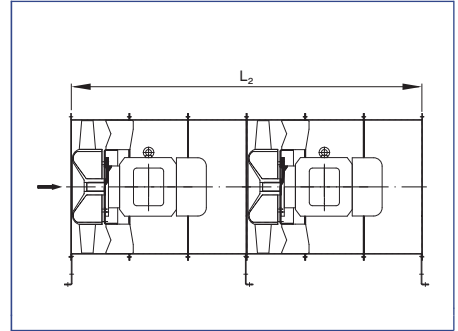
ZAXN12/56



ZAXN12/56



ZAXN12/56



Principal dimensions

①	Ø clear width	Øk	ØD	zxd	H	a	a ₁	c	b	b ₁	b ₂	② w x l
315	320	356	386	8 x 9.5	240	328	302	35	356	68	80	12 x 20
355	359	395	425	8 x 9.5	270	356	330	35	398	88	80	12 x 20
400	401	438	468	12 x 9.5	300	406	379	37	438	104	80	12 x 20
450	450	487	517	12 x 9.5	335	430	400	37	487	124	80	12 x 20
500	504	541	571	12 x 9.5	375	480	453	37	541	151	80	12 x 20
560	565	605	643	16 x 11.5	420	519	483	45	605	183	80	12 x 20
630	634	674	712	16 x 11.5	470	607	575	45	674	203	100	12 x 20
710	711	751	789	16 x 11.5	525	645	613	45	721	210	110	12 x 20
800	794	837	875	24 x 11.5	585	735	703	45	872	285	110	14 x 22
900	894	934	972	24 x 11.5	655	785	753	45	860	225	160	14 x 22
100	1003	1043	1081	24 x 11.5	730	881	833	57	940	265	160	14 x 22
1120	1124	1174	1214	24 x 11.5	760	951	903	57	1184	380	160	14 x 22
1250	1261	1311	1251	24 x 11.5	855	1051	1003	57	1321	465	160	14 x 22
1400	1415	1465	1545	24 x 11.5	⊗	⊗	⊗	⊗	1475	520	165	14 x 22
1600	1587	1637	1717	32 x 11.5	⊗	⊗	⊗	⊗	1649	615	160	18 x 25

① Nominal size • ② Slotted hole width x length • ⊗ Upon request

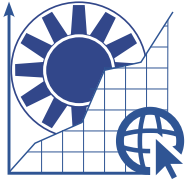
Dimensions dependent on the number of extensions

①	②	L	④	②	L ₁ ¹⁾	y	④	②	L ₂ ¹⁾	④
315	71	600	20	80	750	12	25	80	900	29
355	80	660	25	90	825	8	30	90	990	35
400	90	752	36	112	940	54	43	112	1128	51
450	90	800	43	112	1000	34	52	112	1200	62
500	112	900	56	132	1125	81	68	132	1350	80
560	112	968	82	132	1210	64	99	132	1452	117
630	132	1144	150	-	-	-	-	-	-	-
710	132	1220	130	160	1525	112	152	160	1830	174
800	132	1400	164	180	1750	104	198	180	2100	232
900	132	1492	220	225	1865	78	264	225	2238	309
100	160	1660	274	225	2075	113	329	225	2490	383
1120	180	1800	380	280	2250	180	425	280	2700	470
1250	200	2000	450	280	2500	115	500	280	3000	550
1400	180	⊗	⊗	⊗	⊗	⊗	⊗	⊗	⊗	⊗
1600	225	⊗	⊗	⊗	⊗	⊗	⊗	⊗	⊗	⊗

¹⁾ Additional empty ducts are required here, so the a + a₁ dimensions change

① Nominal size • ② Max. motor size • ④ Weight without motors • ⊗ Upon request





Axial fans with direct drive for building ventilation and aeration

+ Features

This series has the highest fan efficiency and therefore the lowest electricity consumption out of all the fans in its performance class. It is over 50% more efficient than normal round duct fans. Roughly 70% to 90% of a fan's total costs can be attributed to electricity costs. These costs are cut by more than 30% with GLDF fans! What's more, the GLDF series is surprisingly affordable despite its good product properties.

Its extraordinary performance data, and particularly its high fan efficiency, are due to the profiled blade shape and the continuous meridian channel. This results in very low-loss energy conversion in the fan

- 10 sizes
- Volume flow rate V max. approx. 20,000 m³/h

- The sizes 560, 630 and 710 can also be operated directly on the 400 V / 50 Hz three-phase supply

Application

- Axial ventilation fan (supply and exhaust air) for installation in pipeline
- Installation / suspension in the building.

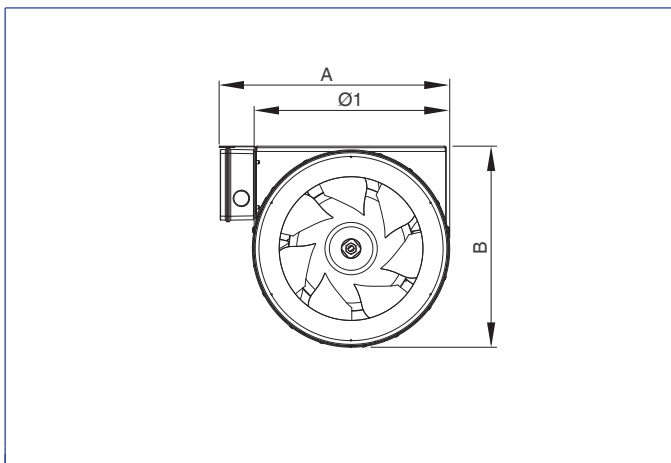
Variants

- 1 ~ 230V - 50 Hz motor
- 3 ~ 400V - 50 Hz three-phase current motor (can be controlled using a frequency inverter)
- 1 ~ 230V - Hz EC motor

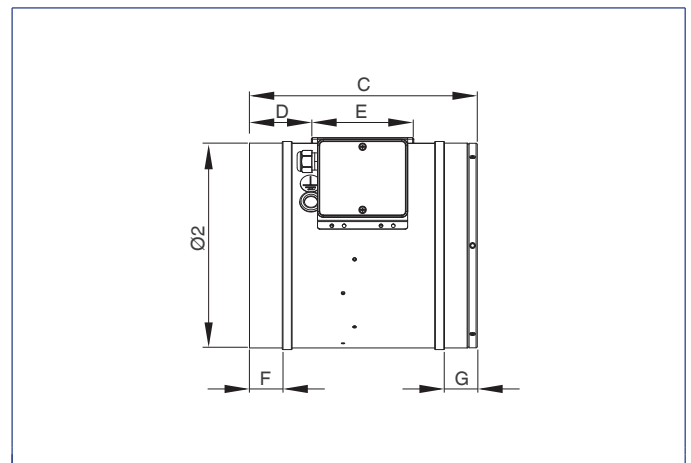
& Accessories

- Installation bracket
- Connection sleeve
- Cover grille
- Duct with self-powered shut-off damper
- Round silencers, rigid
- Round silencers, flexible
- Adapter plate (bridge between duct / pipe)
- Filter box with pocket filter F5 and hot water heating coils
- Filter box for pocket filter (without filter)
- Filter box with fleece G3
- 5-stage transformer (AP)
- 7-stage transformer (UP)
- EC controller
- Frequency inverter
- Local isolator, loose

GLDF

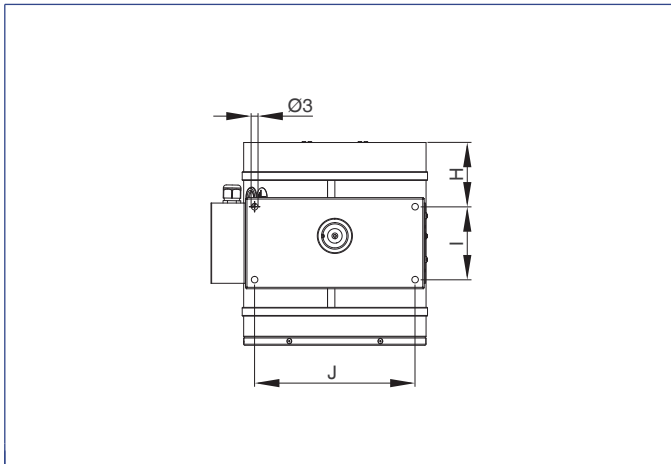


GLDF





GLDF



Dimensions [mm]

①	A	B	C	D	E	F	G	H	I	J	Ø1	Ø2	Ø3
AX 200 E2 01	199	205±2	225±1					129±3	96±3	180±1.5	204	201±1	9
AX 250 E2 01	297±2	259±2	278±1	76±1	125	40±1	40±1	88±1	100	220	254±2	250±1	9
AX 250 E2 06		259±2	215±1			30±1	40±1	59±1	90	220	254±1	250±1	9
AX 280 E2 02	322±2	290±2	308±1	78±1	145	40±1	40±1	91±1	120	239	285±2	281±1	9
AX 315 E2 01	349±2	324±2	351±1	82±1	185	40±1	40±1	94±1	160	260	319±2	315±1	9
AX 315 E2 03	337±2	319±2	308±1	74±1	150	35±3	35±3	89±1	120	239±1		315±1	9
AX 355 E2 01	389±2	363±2	396±1	97±1	200	40±1	40±1	110±1	175	300	358	354±1	9
AX 355 E4 01	389±2	363±2	396±1	97±1	200	40±1	40±1	110±1	175	300	358±2	354±1	9
AX 400 E4 01	307±2	432±2	416±3	55±1	250	40±1	72±1	70±1	220	275	407±2	403±1	9
AX 450 E4 01	357±2	467±2	467±3	85±1	280	70±1	72±1	100±1	250	310	457±2	453±1	9
AX 500 E4 01	398±2	512±2	516±3	88±1	290	70±1	72±1	108±1	250	360	507±2	504±1	9
AX 560 E4 01	468±2	573±2	582±3	115±1	290	70±1	72±1	135±1	250	440	568±2	564±1	9
AX 630 E4 01	538±2	643±2	654±3	156±1	340	70±1	72±1	181±1	290	490	638±2	634±1	9

① Nominal size; an extension duct may be needed for different sizes in the case of vibration-dampened installation



Ventilation centrifugal fans

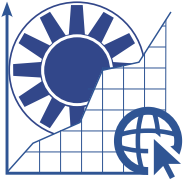
	Specifications			
	REH		RZH	
	REH - R	REH - M / REH-K	9/400	KFB
Flow current temperature				
Max. 80°C	●	●	●	●
Max. 250°C	○	○		○
Motor type				
Single-speed	●	●	●	●
Dual-speed	●	●	●	
Suitable for operation on a frequency inverter	●	●	●	●
Technical type				
Single inlet	●	●		●
Double inlet)			●	
Belt drive	●		●	
Direct driven		● REH-K via coupling		●
Explosion Protection Directive 94/9/EC - "2014/34/EU" as of 01/2016	○	○	○	○
Casing orientation (RD/LG - 0 - 90° - 180° - 270°)	●	●	●	●
Casing split horizontally	● As of NG 710	● As of NG 710	● As of NG 710	
Motor outside of flow	●	●	●	●
Technical data				
Max. volume flow rate (m³/h)	100,000	100,000	200,000	7,200
Max. pressure (Pa)	3,500	3,500	3,500	1,350
Max. drive capacity (kW)	110	110	132	2.1
Nominal sizes (mm)	400-1.400	400-1.400	400-1.400	200-400
Material				
Impeller	Steel	Steel	Steel	Steel
Casing	Steel	Steel	Steel	Steel
Accessories				
Volume flow rate measuring unit VME	●	○	○	
Shock pulse bearing monitoring STI	○	○	○	
Acoustic and thermal insulation	○	○		
Insulation for outdoor installation	○	○		
Weather protection for motor (and belt drive)	○	○		○
Rubber anti-vibration mounts	○	○	○	
Spring anti-vibration mounts	○	○	○	
V-belt protective casing	●		●	
Rotary speed measurement port	○	○	○	
Flexible connectors	○	○	○	
Matching flange	○	○	○	
Inspection hatch	○	○	○	
Lubrication line	○	○	○	
Cover grille (inlet side)	○	○	○	
Outlet duct with cover grille	○	○		
Condensate drain	○	○	○	
Motor terminal box	●	●	●	●
Local isolator, loose	○	○	○	○
Surface protection				
Corrosion protection category C2	●	●	●	●
Corrosion protection category C3	○	○	○	

	Specifications			
	REH		RZH	
	REH - R	REH - M / REH-K	9/400	KFB
Corrosion protection category C4	○	○	○	
Corrosion protection category C5		○		
Explanation				
● - Standard				
○ - Optional				



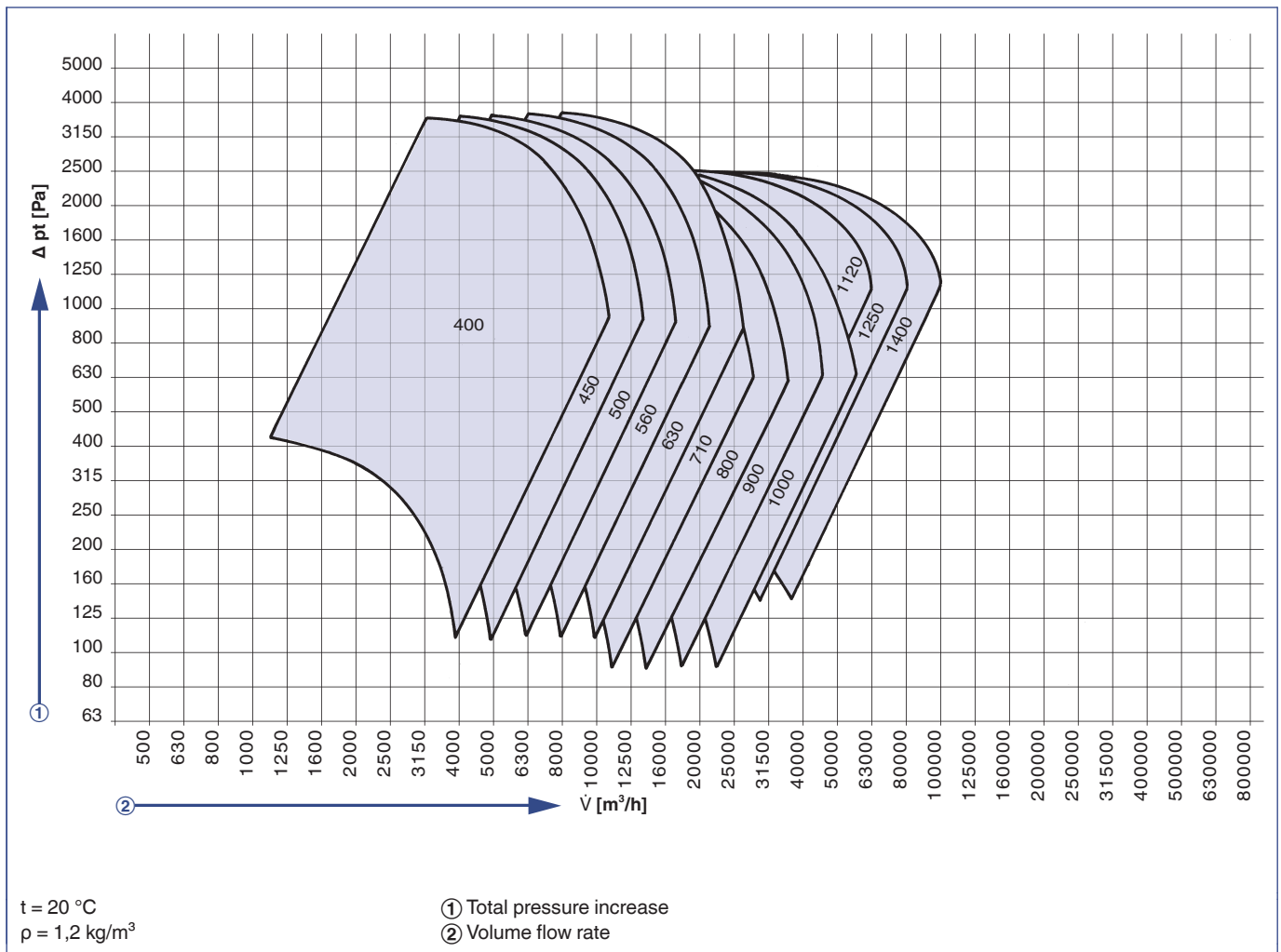
	Specifications			
	REH		RZH	
	REH - R	REH - M / REH-K	9/400	KFB
Flow current temperature				
Max. 80°C	●	●	●	●
Max. 250°C	○	○		○
Motor type				
Single-speed	●	●	●	●
Dual-speed	●	●	●	
Suitable for operation on a frequency inverter	●	●	●	●
Technical type				
Single inlet	●	●		●
Double inlet)			●	
Belt drive	●		●	
Direct driven		● REH-K via coupling		●
Explosion Protection Directive 94/9/EC - "2014/34/EU" as of 01/2016	○	○	○	○
Casing orientation (RD/LG - 0 - 90° - 180° - 270°)	●	●	●	●
Casing split horizontally	● As of NG 710	● As of NG 710	● As of NG 710	
Motor outside of flow	●	●	●	●
Technical data				
Max. volume flow rate (m ³ /h)	100,000	100,000	200,000	7,200
Max. pressure (Pa)	3,500	3,500	3,500	1,350
Max. drive capacity (kW)	110	110	132	2.1
Nominal sizes (mm)	400-1.400	400-1.400	400-1.400	200-400
Material				
Impeller	Steel	Steel	Steel	Steel
Casing	Steel	Steel	Steel	Steel
Accessories				
Volume flow rate measuring unit VME	●	○	○	
Shock pulse bearing monitoring STI	○	○	○	
Acoustic and thermal insulation	○	○		
Insulation for outdoor installation	○	○		
Weather protection for motor (and belt drive)	○	○		○
Rubber anti-vibration mounts	○	○	○	
Spring anti-vibration mounts	○	○	○	
V-belt protective casing	●		●	
Rotary speed measurement port	○	○	○	
Flexible connectors	○	○	○	
Matching flange	○	○	○	
Inspection hatch	○	○	○	
Lubrication line	○	○	○	
Cover grille (inlet side)	○	○	○	
Outlet duct with cover grille	○	○		
Condensate drain	○	○	○	
Motor terminal box	●	●	●	●
Local isolator, loose	○	○	○	○
Surface protection				
Corrosion protection category C2	●	●	●	●
Corrosion protection category C3	○	○	○	

	Specifications			
	REH		RZH	
	REH - R	REH - M / REH-K	9/400	KFB
Corrosion protection category C4	<input type="radio"/>	<input type="radio"/>	<input type="radio"/>	
Corrosion protection category C5		<input type="radio"/>		
Explanation				
● - Standard				
○ - Optional				



Centrifugal fans for building ventilation and aeration

REH Performance Range



+ Features

- High-performance impeller made of sheet steel with backward curved blades.
- The impellers have GG screw-on hubs with taper lock steel clamping bushes.
- Steel weld-in hubs are used as of size 1120.
- Bellmouth aerodynamically optimised
- ▶ 16 sizes (nominal size: 315 to 1600)
- ▶ Volume flow rate V max. 100,000 m³/h
- ▶ Total pressure increase max. 3,500 Pa
- ▶ Four casing orientations available (0°, 90°, 180°, 270°).
- ▶ Can also be used for process exhaust air:
- ▶ Explosion protection as per ATEX up to Ex II 2/2 G c IIB T4

- ▶ Hot gas up to T max. +250°C constant temperature

Application

Ventilation fan for duct / pipe connection on both sides or free outlet
Can be installed in the building or outdoors

Variants

- ▶ M style with direct drive
- ▶ R style with V-belt drive
- ▶ K style with coupling drive

& Accessories

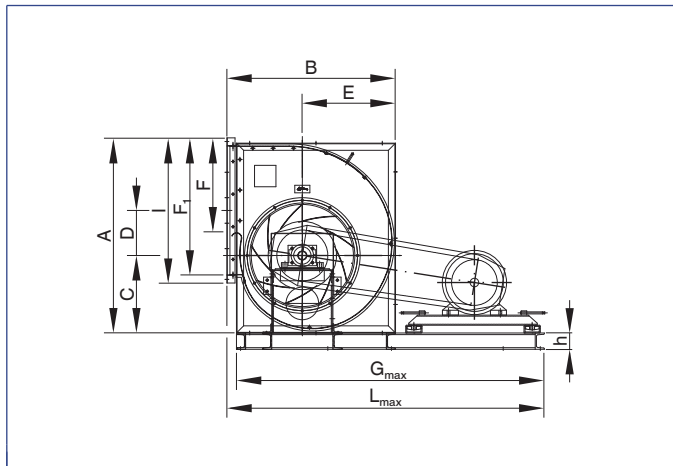
- ▶ Volume flow rate measuring unit VME
- ▶ Shock pulse bearing monitoring ST1
- ▶ Vibration monitoring
- ▶ Acoustic and thermal insulation
- ▶ Insulation for outdoor installation
- ▶ Weather protection for motor (and belt drive)
- ▶ Rubber anti-vibration mounts
- ▶ Spring anti-vibration mounts
- ▶ V-belt drive
- ▶ V-belt protective casing
- ▶ Rotary speed measurement port
- ▶ Flexible connectors
- ▶ Matching flange
- ▶ Inspection hatch



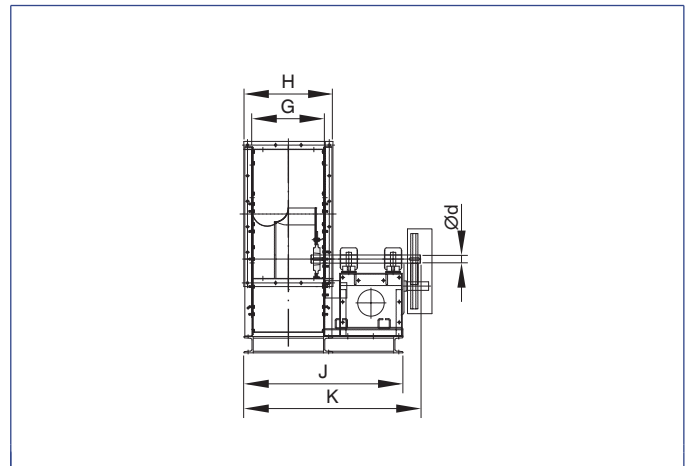


- ▶ Lubrication line
- ▶ Cover grille (inlet side)
- ▶ Outlet duct with cover grille
- ▶ Condensation drainage nozzle
- ▶ Motor terminal box
- ▶ Local isolator
- ▶ Explosion protection
- ▶ Temperature-resistant design

REH



REH

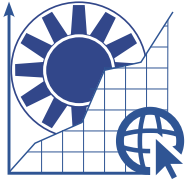


Dimensions [mm]

①	A	B	C	D	E	F	F1	G	G max	H	I	J	K	L max	②
315	632	553	255	146	306	269	402	226	1155	296	462	545	718	1155	38
400	776	670	306	179	369	340	502	282	1555	362	582	615	998	1600	46
450	874	755	351	202	410	380	562	317	1605	397	642	652	936	1650	65
500	957	827	380	221	457	425	632	357	1805	437	712	747	1028	1850	88
560	1070	920	427	247	509	477	712	402	1905	482	792	790	1072	1950	95
630	1211	1026	479	291	574	550	802	452	2005	532	882	842	1129	2050	130
710	1343	1152	539	313	647	600	899	499	2300	583	983	931	1198	2300	210
800	1505	1289	604	359	726	673	999	559	2400	643	1083	991	1245	2400	250
900	1702	1443	674	407	811	755	1119	629	2600	753	1243	1080	1372	2600	340
1000	1872	1577	746	433	894	848	1249	709	2800	833	1373	1329	1455	2800	460
1120	2350	2072	974	813	1162	926	1002	802	3170	922	1122	1438	1563	3300	700
1250	2625	2320	1088	911	1298	1044	1122	902	3670	1028	1248	1733	1908	3800	1000
1400	2930	2600	1218	1023	1455	1160	1252	1002	3970	1128	1378	1834	2025	4100	1500
1600	3269	2896	1357	1148	1611	1305	1402	1122	4270	1248	1522	2042	2220	4400	1850

① Nominal size • ② Weight without motor, without base frame (approx.) [kg]





Centrifugal fans for building ventilation and aeration



Features

Especially developed for the tough operating conditions of a kitchen extract air fan. The impellers used with backward curved blades are insensitive to fatty deposits. They are also more efficient, which means the operating costs and the investment costs for the transformer control unit are much lower.

- 5 sizes
- From 200 to 400 mm
- Volume flow rate V max. approx. 7,200 m³/h



Application

- Centrifugal ventilation fan (supply and exhaust air), particularly for extracting air from kitchens
- Can be installed indoors and outdoors



Accessories

- Wall bracket
- Connection sleeve

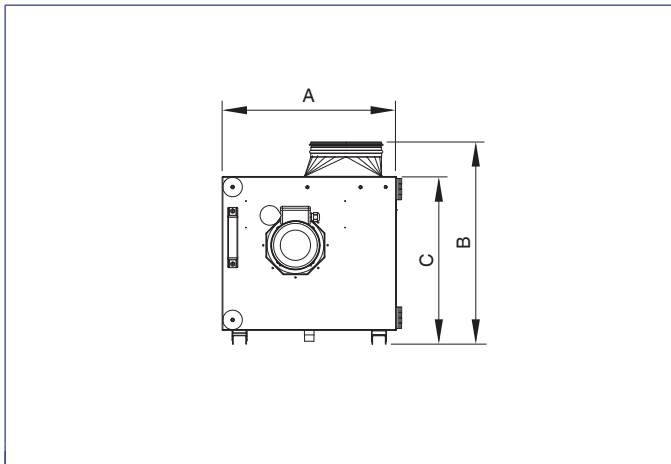
- Duct with self-powered shut-off damper
- Weather hood for motor
- 5-stage transformer (AP)
- 7-stage transformer (UP)
- Frequency inverter
- Local isolator, loose



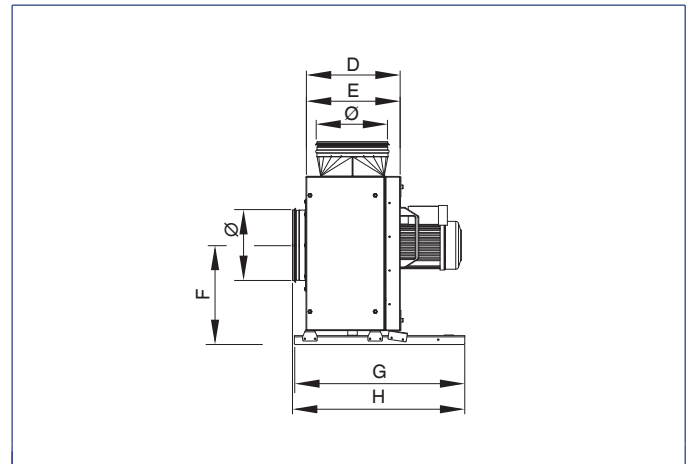
Classification, standards and guidelines

- Satisfies VDI Guidelines 2078 and 2052

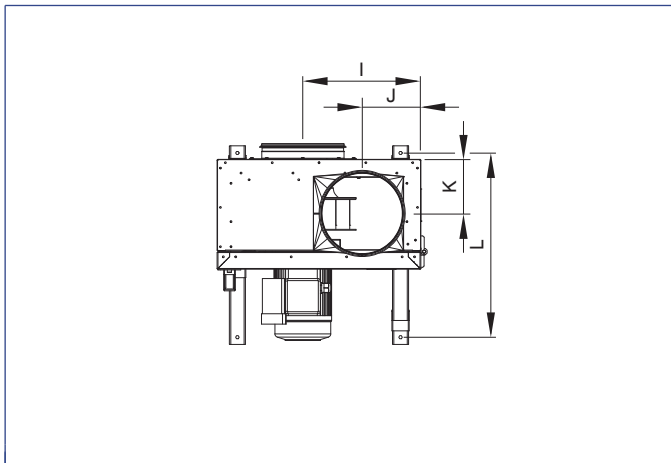
KFB



KFB



KFB

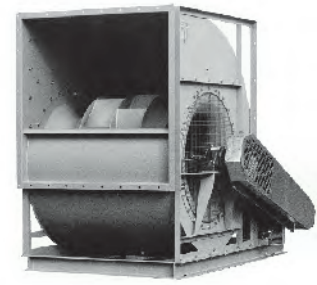
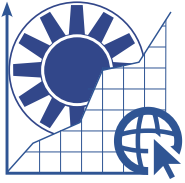


Dimensions [mm]

①	A	B	C	D	F	G	H	I	J	K	L	Ø
225 E2 20	492	571	474	475	279	480	485	285	142	131	445	199
250 E2 20	592	690	561	548	329	540	567	344	166	156	505	249
280 E2 20	592	692	561	567	329	540	568	344	200	156	505	314
315 E2 20	700	790	663	669	382	590	611	405	220	181	555	354
400 E4 20	832	916	789	592	448	590	611	477	220	181	555	354
450 E4 20	832	916	789	637	448	590	611	477	220	181	555	354
500 E4 20	1016	1092	954	823	539	834	871	584	242	253	799	399
560 D4 10	884		930	820±10	487	730	766	500	217	215	695	399

① Nominal size





Centrifugal fans for building ventilation and aeration



Features

High-performance impeller made of sheet steel with backward curved blades. Bellmouth aerodynamically optimised.

Welding robots for consistent impeller precision

- ▶ 12 sizes
- ▶ Impeller's nominal \varnothing 400 to 1,400
- ▶ Volume flow rate V max. 200,000 m³/h
- ▶ Total pressure increase p₁ max. 3,500 Pa
- ▶ Four casing orientations available (0°, 90°, 180°, 270°)



Application

- ▶ Ventilation fan for installation in VAC units and/or air-conditioning chambers
- ▶ Free inlet



Variants

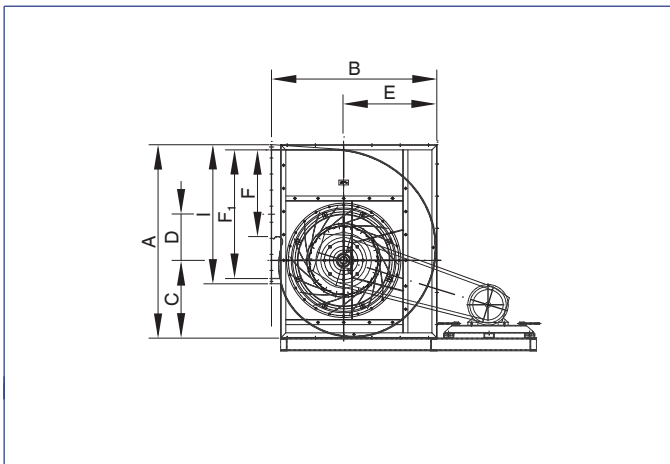
- ▶ R - 39 style (light bearing)
- ▶ R - 38 style (heavy bearing)



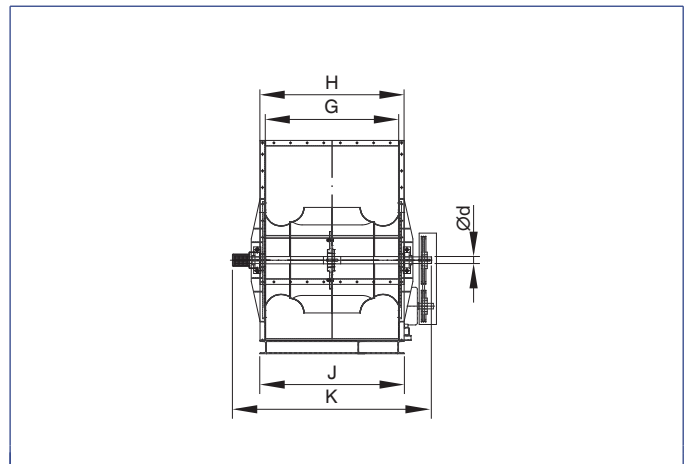
Accessories

- ▶ Shock pulse bearing monitoring STI
- ▶ Rubber anti-vibration mounts
- ▶ Spring anti-vibration mounts
- ▶ V-belt drive
- ▶ V-belt protective casing
- ▶ Rotary speed measuring port in the V-belt protection box
- ▶ Flexible connectors
- ▶ Matching flange
- ▶ Inspection hatch
- ▶ Lubrication line for fan bearing
- ▶ Cover grille (inlet side)
- ▶ Condensation drainage nozzle
- ▶ Local isolator

RZH



RZH





Dimensions [mm]

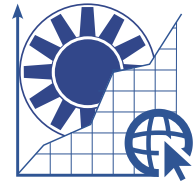
①	A	B	C	D	E	F	F ₁	G	H	J	K	Ød	③
400	776	670	306	179	369	340	502	502	582	578	822	②	55
450	874	755	351	202	410	380	562	562	642	642	930	②	75
500	957	827	380	221	457	425	632	632	712	708	1050	②	100
560	1070	920	427	247	509	477	712	712	792	784	1080	②	125
	1070	920	427	247	509	477	712	712	792	784	1180④	②	125
630	1211	1026	479	291	574	550	802	802	882	878	1200	②	160
	1211	1026	479	291	574	550	802	802	882	878	1250 ④	②	160
710	1343	1152	539	313	647	600	899	899	983	984	1397	②	240
800	1505	1290	604	359	727	673	999	999	1083	1084	1497	②	290
900	1702	1443	674	407	811	755	1119	1119	1243	1224	1650	②	390
1000	1871	1577	746	438	894	848	1249	1249	1373	1364	1786	②	520
1120	2350	2072	974	813	1162	1002	-	1402	1522	1530	1750	②	855
1250	2625	2320	1088	911	1297	1122	-	1602	1728	1730	1969	②	1200
1400	1930	2600	1218	1023	1455	1252	-	1802	1928	1970	2240	②	1890

- ① Nominal size •
- ② To be defined acc. to order •
- ③ Weight without motor, base frame and V-belt drive (approx.) [kg] •
- ④ Mirror-inverted casing orientation



Ventilation plug fans

	Specifications			
	ER	ERV	ERK	ERM
Flow current temperature				
Max. 60°C		●	●	●
Max. 100°C		○	○	○
Max. 250°C	●			
Motor type				
Single-speed)	●	●	●	●
Dual-speed	●	●	●	●
Suitable for operation on a frequency inverter	●	●	●	●
Technical type				
H style (horizontal installation)		●		
V A style (vertical installation)		●		
V B style (vertical suspension)				●
Direct driven		●	●	●
Explosion Protection Directive 94/9/EC - *2014/34/EU as of 01/2016	○	○	○	○
Base frame		●	●	
Motor in airflow		●	●	
Technical data				
Max. volume flow rate	140,000 m ³ /h	140,000 m ³ /h	140,000 m ³ /h	140,000 m ³ /h
Max. pressure	3,150 Pa	3,150 Pa	3,150 Pa	3,150 Pa
Max. drive capacity				
Nominal sizes [mm]	200-1.600	200-1.600	400-1.600	400-1.600
Material				
Impeller	Steel	Steel	Steel	Steel
Installation frame	Steel	Steel	Steel	Steel
Accessories				
Volume flow rate measuring unit VME	○	○	○	○
Flexible connector <small>(inlet side)</small>	○	○	○	
Matching flange <small>(inlet side)</small>	○	○	○	
Cover grille <small>(inlet side)</small>	○	○	○	○
Spring anti-vibration mounts	○	○	○	
Rubber anti-vibration mounts	○	○	○	
Motor terminal box	●	●	●	●
Thermal motor protection	○	○	○	○
Frequency inverter	○	○	○	○
Surface protection				
Corrosion protection category C2	●	●	●	●
Corrosion protection category C3	○	○	○	○
Corrosion protection category C4	○	○	○	○
Corrosion protection category C5	○	○	○	○
Temperature-resistant lacquer paint finish				○
Explanation				
● - Standard				
○ - Optional				



Centrifugal fans for industrial drying systems and other applications

+ Features

Bellmouth calibrated as a measuring element for volume flow rate measurements. The characteristic curves have a steep, stable progression with a wide design range and high efficiency progression. On average, the total acoustic power level of the centrifugal plug-in fans is 5 dB lower than the value of the dual-inlet casing fans with comparable flow cross-sections

- ▶ 19 sizes
- ▶ Impeller's nominal \varnothing 200 to 1,600 mm
- ▶ Volume flow rate V max. 140,000 m³/h
- ▶ Stat. differential pressure ps max. 3,150 Pa
- ▶ Peak efficiency of 76%

- ▶ Due to a high delivery coefficient, the fan can be used in a highly efficient manner across a large volume flow rate bandwidth
- ▶ Impeller also suitable for installation in dryers up to a conveying temperature of +250°C
- ▶ In connection with installation frame (motor outside of flow)

& Application

- ▶ Ventilation fan for installation in VAC units and/or air-conditioning chambers.
- ▶ Free inlet.
- ▶ Can be installed horizontally or vertically

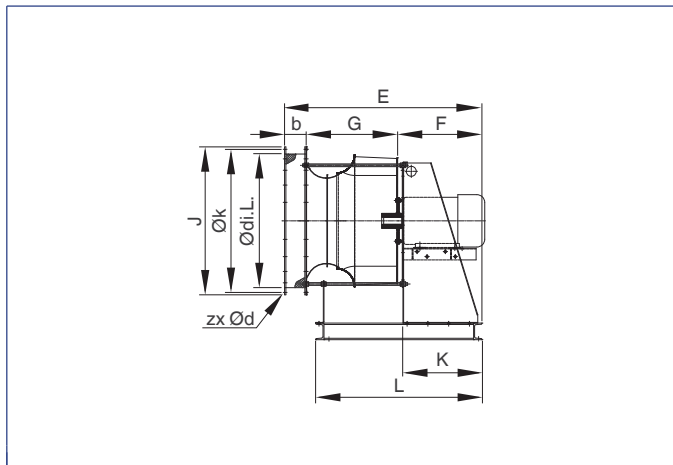
& Variants

- ▶ Horizontal installation: ERV 23/1.0 and 23/1.2-FU-H
- ▶ Vertical installation: ERV 23/1.0 and 23/1.2 FL-VA/VB

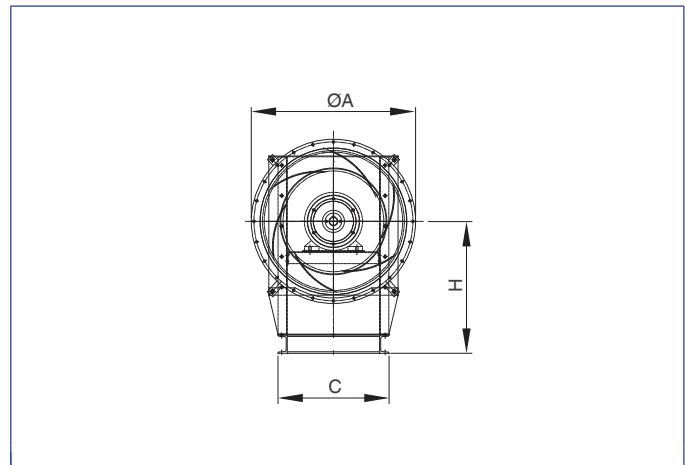
& Accessories

- ▶ Volume flow rate measuring unit VME
- ▶ Flexible connectors (inlet side)
- ▶ Matching flange (inlet side)
- ▶ Cover grille (inlet side)
- ▶ Spring anti-vibration mounts
- ▶ Rubber anti-vibration mounts
- ▶ Frequency inverter

BVERV / ERV



BVERV / ERV



Dimensions [mm]

①	Ø A	H	C	Ø clear width	approx. E	F	G	b	approx. J	K	L	Øk	② z x Ød
200	255	225	290	205	520	259	141	180	353	240	400	235	6 7
224	279	225	290	228	596	259	157	180	365	240	400	259	6 7
250	306	250	290	256	617	258	179	180	403	240	420	286	6 7
280	348	250	290	288	639	260	202	180	426	240	420	322	8 10
315	386	285	350	322	710	310	220	180	478	285	500	356	8 10
355	425	320	350	361	733	310	249	180	533	285	500	395	8 10
400	468	360	435	404	860	410	270	180	594	385	675	438	12 10
450	517	400	435	453	895	410	308	180	650	385	675	487	12 10
500	571	450	435	507	940	415	345	180	736	385	705	541	12 10
560	643	530	480	569	998	430	389	180	852	405	730	605	16 12
630	712	570	480	638	1046	430	436	180	926	405	730	674	16 12
710	814	640	480	714	1186	510	496	180	1047	475	900	775	16 14
800	904	715	600	804	1240	510	550	180	1167	475	1000	861	24 14



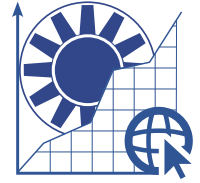
①	Ø A	H	C	Ø clear width	approx. E	F	G	b	approx. J	K	L	Øk	② z x Ød	
900	1004	800	650	904	1478	680	618	180	1302	645	1150	958	24	14
1000	1105	900	650	1005	1545	680	685	180	1453	645	1115	1067	24	14
1120	1125	1000	780	1005	1679	740	734	205	1553	710	1350	1067	27	14
1250	1245	1125	780	1125	1788	745	838	205	1755	710	1450	1200	32	18
1400	1385	1260	880	1255	2040	875	960	205	1948	815	1775	1337	32	18
1600	⊗	⊗	⊗	⊗	⊗	⊗	⊗	⊗	⊗	⊗	⊗	⊗	⊗	⊗

① Nominal size; an extension duct may be needed for different sizes in the case of vibration-dampened installation •

② Number of holes z x Ød •

⊗ Upon request





For building ventilation and aeration

+ Features

- ▶ DF series round duct fan
Seven sizes (NG 100 to 315)
Volume flow rate V max. approx. 1,990 m³/h
Space-saving pipe installation fan made of metal
Backward curved radial impeller
- ▶ DFB series round duct fan box
Eight sizes (NG 125 to 500)
Volume flow rate V max. approx. 4,480 m³/h
Soundproof pipe installation box
Very quiet
Forward curved radial impeller
Casing easy to disassemble due to quick-release catches
- ▶ GLDFB series rectangular duct fan
Five sizes
Volume flow rate V max. approx. 10,000 m³/h
Energy-optimised axial impeller with profiled blades
High efficiency levels
- ▶ EFB series extract air box
Nine sizes (NG 225 to 630)

- Volume flow rate V max. approx. 16,300 m³/h
Backward curved radial impeller
Pipe connections (on inlet and outlet side) can be designed in a variable manner
Motor outside of flow
Integrated fat pan
Suitable for kitchen extract air (satisfies VDI 2078 and 2052)
- ▶ Different motor variants possible depending on the variant:
1 x 230V - 50 Hz motor
3 x 400V - 50 Hz three-phase current motor (can be controlled using a frequency inverter)
1 x 230V - Hz EC motor
 - ▶ (Please see the product configurator for details)

Application

- ▶ Ventilation fans for pipeline installation or duct installation.
- ▶ Partially suitable for outdoor installation.

◊ Variants

- ▶ DF series round duct fan
- ▶ DFB series round duct fan box
- ▶ GLDFB series rectangular duct fan
- ▶ EFB series extract air box

& Accessories

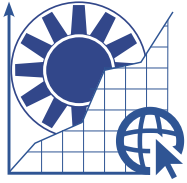
- ▶ Installation bracket
- ▶ Connection sleeve
- ▶ Cover grille
- ▶ Duct with self-powered shut-off damper
- ▶ Round silencers, rigid
- ▶ Round silencers, flexible
- ▶ Filter box with pocket filter F5 and hot water heating coils
- ▶ Filter box for pocket filter (without filter)
- ▶ Filter box with fleece G3
- ▶ Electronic controller
- ▶ 5-stage transformer (AP)
- ▶ 7-stage transformer (UP)
- ▶ Local isolator, loose



Ventilation jet fans

	Specifications					
	GAXO		GAXN		GAXR	
	6/315	6/400	12/315	9/400	5/315	5/400
Flow current temperature						
Max. 60°C	●	●	●	●	●	●
Technical type						
Outlet guide vanes			●	●		
Motor in airflow)	●	●	●	●	●	●
Reversing mode					●	●
Technical data						
Thrust (principal direction mode) [N]	21/5	56/14	31/7	73/18	18/5	47/12
Thrust (reversing mode) [N]					16/4	42/10
Max. drive capacity (kW)	0.5/0.1	1.3/0.26	1.1/0.26	2.2/0.48	0.75/0.18	1.5/0.37
Nominal sizes (mm)	315	400	315	400	315	400
Direction of airflow	Unidirectional	Unidirectional	Unidirectional	Unidirectional	Bidirectional	Bidirectional
Material						
Impeller	Plastic	Plastic	Aluminium	Aluminium	Aluminium	Aluminium
Casing	Steel	Steel	Steel	Steel	Steel	Steel
Accessories						
Terminal box	●	●	●	●	●	●
Local isolator loose (max. ambient temperature)	○	○	○	○	○	○
Local isolator attached (terminal box not required)	○	○	○	○	○	○
Surface protection						
Corrosion protection category C2	●	●	●	●	●	●
Corrosion protection category C3	○	○	○	○	○	○
Corrosion protection category C4						
Corrosion protection category C5						
Explanation						
● - Standard						
○ - Optional						

	Specifications					
	GAXO		GAXN		GAXR	
	6/315	6/400	12/315	9/400	5/315	5/400
Flow current temperature						
Max. 60°C	●	●	●	●	●	●
Technical type						
Outlet guide vanes			●	●		
Motor in airflow)	●	●	●	●	●	●
Reversing mode					●	●
Technical data						
Thrust (principal direction mode) [N]	21/5	56/14	31/7	73/18	18/5	47/12
Thrust (reversing mode) [N]					16/4	42/10
Max. drive capacity (kW)	0.5/0.1	1.3/0.26	1.1/0.26	2.2/0.48	0.75/0.18	1.5/0.37
Nominal sizes (mm)	315	400	315	400	315	400
Direction of airflow	Unidirectional	Unidirectional	Unidirectional	Unidirectional	Bidirectional	Bidirectional
Material						
Impeller	Plastic	Plastic	Aluminium	Aluminium	Aluminium	Aluminium
Casing	Steel	Steel	Steel	Steel	Steel	Steel
Accessories						
Terminal box	●	●	●	●	●	●
Local isolator loose (max. ambient temperature)	○	○	○	○	○	○
Local isolator attached (terminal box not required)	○	○	○	○	○	○
Surface protection						
Corrosion protection category C2	●	●	●	●	●	●
Corrosion protection category C3	○	○	○	○	○	○
Corrosion protection category C4						
Corrosion protection category C5						
Explanation						
● - Standard						
○ - Optional						



For ventilation and smoke extraction

+ Features

- ▶ Ceiling suspension
- ▶ Compact, space-saving, flat style

Axial-type jet fans:

- ▶ Max. thrust up to 73 N,
- ▶ With or without outlet guide vanes (coordinated to the application),
- ▶ Unidirectional as series: GAXO-C or GAXN
- ▶ Reversible as series: BVGAXR / BVGAXR-C
- ▶ Nominal sizes: 315, 400
- ▶ Impeller made of cast aluminium or plastic, directly on the motor shaft
- ▶ Motor arranged in the flow rate,
- ▶ Terminal box assembled outside on the casing.
- ▶ Sound attenuator on the inlet and outlet side
- ▶ Edged, oval design
- ▶ Cover grille on the inlet and outlet side,
- ▶ Baffle plate on the outlet side

Centrifugal-type jet fans upon request:

- ▶ Max. thrust up to 97 N,
- ▶ Nominal sizes 50 / 75 / 100
- ▶ Unidirectional

Application

- ▶ The TROX TLT jet fan system satisfies the requirements placed on a modern and highly effective ventilation system in underground car parks and, with appropriate project planning, can be used in line with all European statutory regulations.
- In addition to the cost savings, more flexible installation and simpler assembly, it offers far better effectiveness in terms of air distribution and mixing. This results in direct benefits for clients, designers, HVAC contractors, system owners and users.
- ▶ Flat style

◊ Variants

Axial-type jet fans:

- ▶ Unidirectional as series: GAXO-C or GAXN
- ▶ Reversible as series: BVGAXR / BVGAXR-C

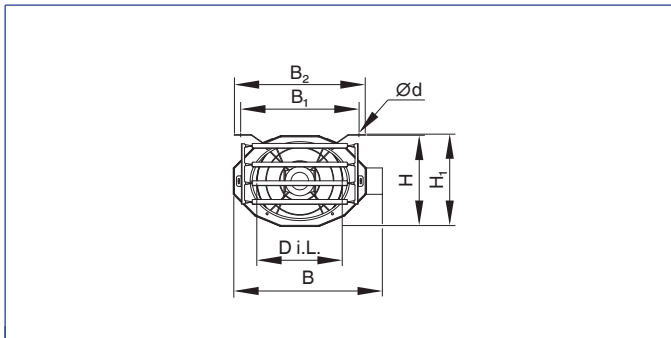
Centrifugal-type jet fans:

- ▶ Unidirectional

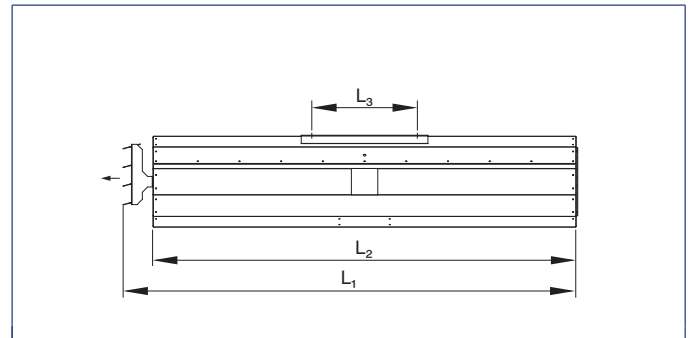
& Accessories

- ▶ Possible in all RAL colours
- ▶ Corrosion protection category C3 to C4M
- ▶ Fan diagnosis system VD
- ▶ Shock pulse bearing monitoring STI
- ▶ Underground car park controller
- ▶ CO alarm system
- ▶ Local isolator attached (terminal box not required)

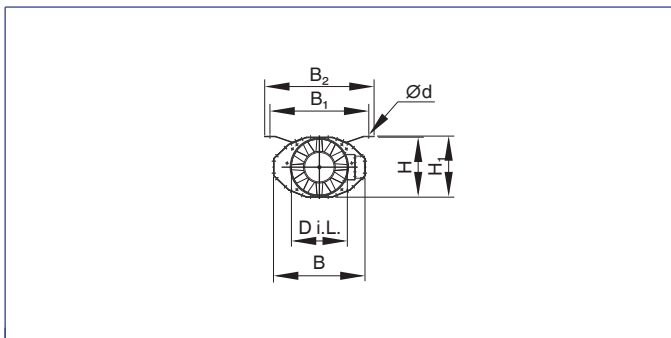
GAXO-C



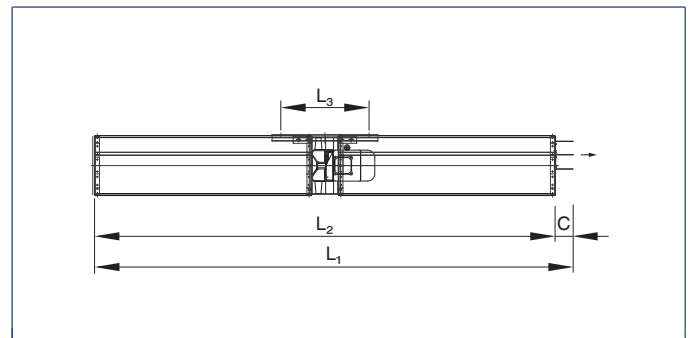
GAXO-C



GAXN

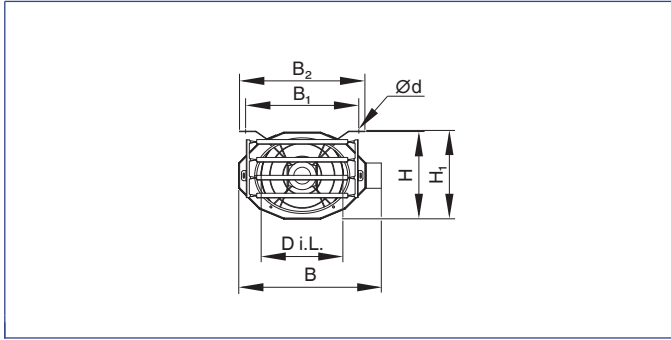


GAXN

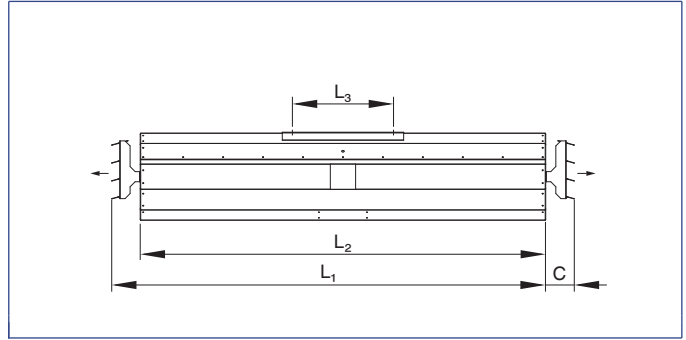




GAXR-C



GAXR-C



GAXO-C, dimensions [mm]

①	L ₁	L ₂	L ₃	Ø clear width	B	B ₁	B ₂	H	H ₁	Ø d	②
315	2111	2005	500	320	596	560	620	340	345	12	95
400	2153	2005	500	401	706	560	620	430	430	12	100

① Nominal size • ② Weight (approx.) [kg]

GAXN, dimensions [mm]

①	L ₁	L ₂	L ₃	Ø clear width	B	B ₁	B ₂	H	H ₁	Ø d	②
315	2710	2610	500	320	520	560	620	340	345	12	95
400	2774	2648	500	401	630	560	620	430	435	12	100

① Nominal size • ② Weight (approx.) [kg]

GAXR-C, dimensions [mm]

①	L ₁	L ₂	L ₃	Ø clear width	B	B ₁	B ₂	H	H ₁	Ø d	c	②
315	2217	2005	500	320	569	560	620	340	345	12	106	95
400	2288	2005	500	401	706	560	620	430	435	12	142	100

① Nominal size • ② Weight (approx.) [kg]

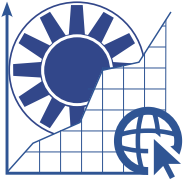


Heat exchangers

	Compact Thermon			Radial Thermon	Electric Thermon
	KTH	KTH-C	KTH-I	RTH	ETH
Flexible installation					
Assembly layout variable	●	●	●		
Casing shape variable				●	●
Heating medium					
Water	●	●	●	●	
Vapour	●		●	●	
Electronics					●
Heating coil					
Steel pipe with steel blades, galvanised - (St / St)	●		●	●	
Copper pipe with aluminium blades (Cu / Al)		●	○		
Electronic air heaters (three 240 V)					●
Motor type					
Voltage-controllable	●	●			
Single-speed)			○	○	
Dual-speed	●	●	●	●	●
Triple-speed	○	○			
Technical type					
Wall-mounted unit	●	●	●	●	●
Ceiling-mounted unit	●	●	●		●
Motor protective device	●	●	●	●	●
Technical data					
Max. volume flow rate	8,500 m ³ /h	9,600 m ³ /h	9,600 m ³ /h	6,500 m ³ /h	5,500 m ³ /h
Max. drive capacity	0.68 kW	0.68 kW	0.66 kW	1.1 kW	0.38 kW
Max. temperature (t) - [medium]	150 °C	120 °C	150 °C	150 °C	
Max. pressure (P) - [medium]	11 bar - for water	16 bar	11 bar - for water	11 bar - for water	-
Nominal sizes	4	4	4	3	3
Material					
Motor	External rotor	External rotor	IEC standard	IEC standard	External rotor
Impeller	Aluminium	Aluminium	Aluminium	Steel - powder-coated	Aluminium
Casing	Sheet steel sendzimir-galvanised	Sheet steel sendzimir-galvanised	Sheet steel sendzimir-galvanised	Sheet steel sendzimir-galvanised	Sheet steel sendzimir-galvanised
Accessories					
Flexible connector	○	○	○	○	○
Filters	○	○	○	○	○
Spare filter mat	○	○	○	○	○
Mixing box	○	○	○	○	○
Damper adjustment motor for MB	○	○	○	○	○
External weather louvre	○	○	○	○	○
Motor locking louvre	○	○	○		
Normal nozzle	○	○	○		○
Nozzle for gate shielding	○	○	○		○
Special cast nozzle	○	○	○		
Air distributor, four-sided	○	○	○		○
Fixing to the ceiling slab	○	○	○		○
Wall fixing	○	○	○	●	○
Outlet louvre (blades) - can be adjusted by hand - self-locking	●	●	●	●	●
Induction louvre (blades) - adjustable by hand or self-powered	○	○	○	○	○
Combination of motor circuit breakers FP...	○	○	○	○	
Room thermostat RT	○	○	○	○	



	Compact Thermon			Radial Thermon	Electric Thermon
	KTH	KTH-C	KTH-I	RTH	ETH
Room thermostat URT with clock and weekly programme	<input type="radio"/>	<input type="radio"/>	<input type="radio"/>	<input type="radio"/>	
Anti-frost thermostat RAK with 1.5 m capillary	<input type="radio"/>	<input type="radio"/>	<input type="radio"/>	<input type="radio"/>	
Switchgear ASR (N/K/KN)	<input type="radio"/>	<input type="radio"/>		<input type="radio"/>	
Valve regulator RVR	<input type="radio"/>	<input type="radio"/>		<input type="radio"/>	
Room sensor RF	<input type="radio"/>	<input type="radio"/>		<input type="radio"/>	
External thermostat AT	<input type="radio"/>	<input type="radio"/>		<input type="radio"/>	
Switch cabinet ETH-S					<input type="radio"/>
Terminal box	●	●	●	● Motor terminal box	●
Local isolator attached <small>(terminal box not required)</small>	<input type="radio"/>	<input type="radio"/>	<input type="radio"/>	<input type="radio"/>	<input type="radio"/>
Surface protection					
Corrosion protection (KWK) (standard (C2 or C3)), type-dependent	●	●	●	●	●
C4					
C5					
Explanation					
● - Standard					
○ - Optional					



Air heater

+ Features

Air heaters in an extremely wide range of styles; heating media and performance levels.

- ▶ KTH series: Compact Thermon available in four sizes (KTH 2 / 4 / 6 / 8)
- ▶ Heating capacity for water up to approx. 130 kW / vapour up to approx. 180 kW
- ▶ Volume flow rate up to 8,500 m³/h
- ▶ Optionally available with Cu / Al or St / galv. heating coil
- ▶ Equipped with axial fans in the external rotor style, also available with DS standard motor in the KTH-I special style for industrial applications
- ▶ Can be assembled on the wall and/or ceiling, with adjustable outlet blades as standard
- ▶ ETH series: Compact Thermon available in three sizes (ETH 2 / 4 / 6)
- ▶ Heating capacity of electric heating coil up to 36 kW
- ▶ Volume flow rate up to 5,500 m³/h
- ▶ Equipped with axial fans in the external rotor

style,
Can be assembled on the wall and/or ceiling

- ▶ RTH series: Radial Thermon available in three sizes (RTH 3 / 5 / 7)
- ▶ Heating capacity for water up to approx. 132 kW / vapour up to approx. 126 kW
- ▶ Volume flow rate up to 6,500 m³/h
- ▶ St / galv. heating coil
- ▶ Equipped with centrifugal fan and DS standard motor for industrial applications
- ▶ Wall-mounted assembly
- ▶ All series equipped with adjustable outlet blades and external terminal box as standard.
- ▶ Casing made of sendzimir-galvanised sheet steel and additional RAL 7030 powder coating.
- ▶ For further information, please enquire at our headquarters.

Application

- ▶ Air heaters for heating and fresh air supply in halls; sales outlets, etc.

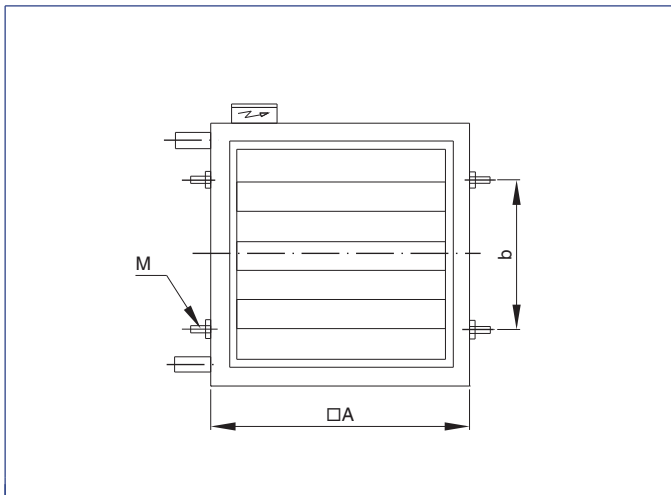
◊ Variants

- ▶ KTH series: compact heater for water / vapour
- ▶ ETH series: electric heater
- ▶ RTH series: radial heater - heater for water / vapour

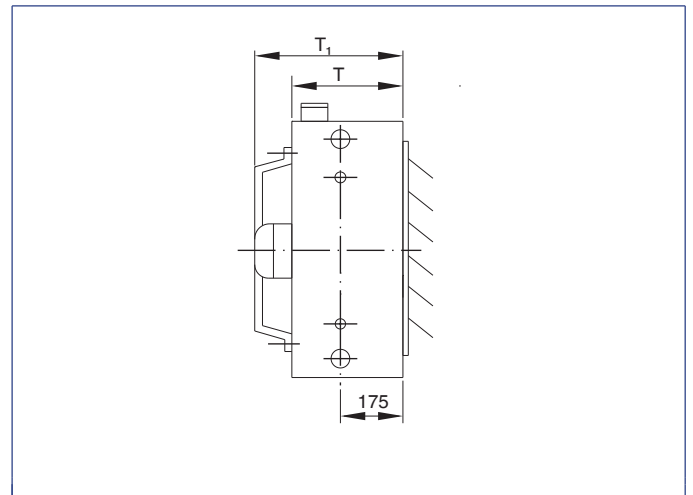
& Accessories

- ▶ Wall fixing
- ▶ Ceiling attachment
- ▶ Mixing box with actuator
- ▶ Motor locking louvre
- ▶ Filter box
- ▶ Flexible connector
- ▶ Special outlet nozzles / heads (air distributors)
- ▶ Air intake duct
- ▶ External weather louvre
- ▶ Rain hood
- ▶ Various control units (air and water side) available

KTH-C

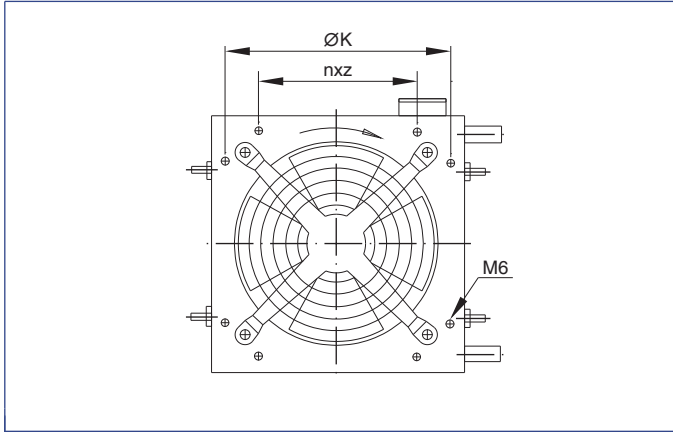


KTH-C





KTH-C

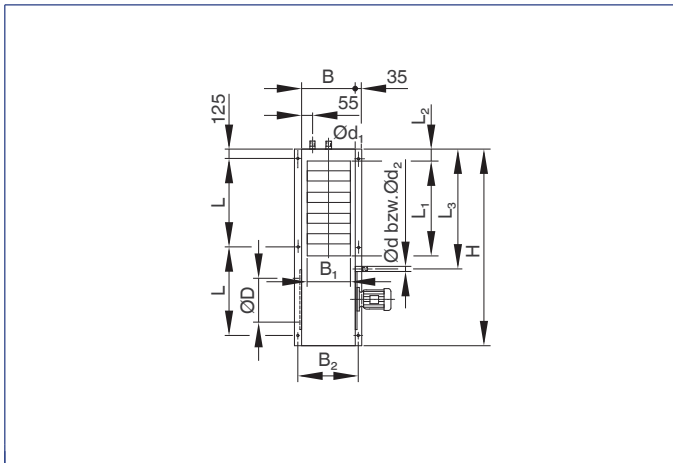


KTH, dimensions [mm]

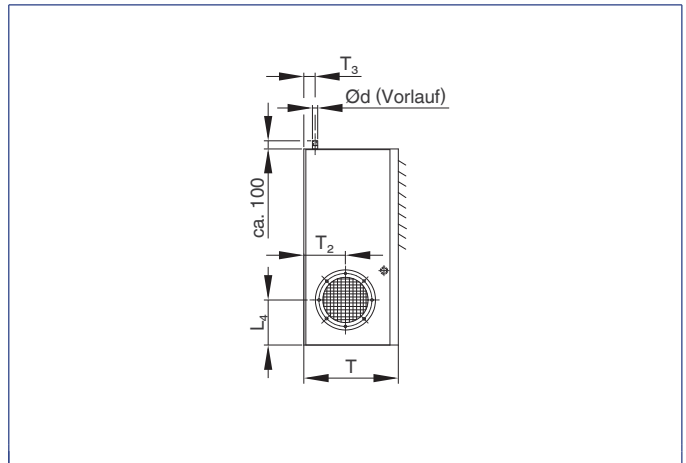
①	⊠A	T	T1	c	⊠K	n x z
400	450	310	358	160	392	2x150
450	550	310	381	300	487	2x220
500	700	315	390	400	602	2x220
560	850	365	425	500	747	3x220

① Nominal size

RTH



RTH



RTH, dimensions [mm]

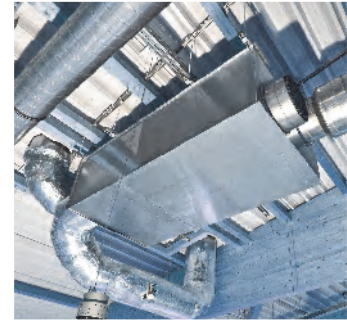
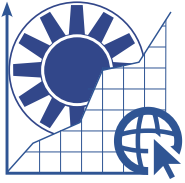
①	H	B	T	C	L	nxL	L1	L2	L3	L4	B1	B2	ØD	T1	T2	T3
3113	1340	370	660	180	1090	1x1090	650	70	825	290	265	410	270	554	300	114
3213	1340	370	660	180	1090	1x1090	650	70	825	290	265	410	270	554	300	70
5113	1650	450	790	200	700	2x700	780	80	1030	380	345	490	390	684	346	75
5223	1650	450	790	200	700	2x700	780	80	1030	380	345	490	390	684	346	75
7112	1900	560	965	220	825	2x825	890	80	1305	420	430	600	435	860	460	85
7222	1900	560	965	220	825	2x825	890	80	1305	420	430	600	435	860	460	85

① Nominal size



	Specifications	
	ThermoVent I	ThermoVent D
Style		
Indoor installation	●	
Roof installation		●
Unit installation type		
Connector horizontal / vertical	●	
Ceiling / floor / wall-mounted installation horizontal / vertical	●	
Type		
Rotary heat exchanger	●	●
Motor		
EC motor	●	●
Technical type		
Self-cleaning rotary heat exchanger	●	●
Extendible rotor		●
Ready-to-connect "Plug and Play" type	●	●
Integrated, wired regulation	●	●
Different bus languages	●	●
Connection to higher-level central BMS	○	○
Filter monitoring	●	●
Heating coil - external heat exchanger	○	○
Cooling coil	○	
Integrated motor-powered shut-off dampers	●	●
Frame-free casing	●	
Separation of the supply and exhaust air flows due to the double purge sector principle	●	●
Inclined rotary heat exchanger (low construction height)	●	
Local isolator attached and wired	●	●
Technical data		
Max. volume flow rate	6,000 m ³ /h	16,000 m ³ /h
Max. pressure	650 Pa	550 Pa
Max. drive capacity	1.5 kW	6.14 kW
Nominal sizes (mm)	650/950/1,250	1,500 / 1,700 / 1,900 / 1,900XL
Material		
Impeller	Aluminium	Aluminium
Casing	Aluminium	Aluminium
Accessories		
Operation via web browser	○	○
Manual operation device	○	○
Air quality sensor	○	○
Humidity sensor	○	○
Motion detector	○	○
Temperature control	○	○
Differential pressure sensor	○	○
CO2 sensor	○	○
Integrated air volume measurement	○	○
Filters	○	○
Commissioning and adjustment	○	○
Anti-vibration element	○	
Steel roof base for smooth roofs with internal insulation		○

	Specifications	
	ThermoVent I	ThermoVent D
Mixed air box		○
Flexible connector	○	○
Supply air grille		○
Inlet duct		○
Intermediate piece		○
Outlet sound attenuator, SDI type		○
Outlet sound attenuator, SDI long		○
Explanation		
● - Standard		
○ - Optional		



Building heating, aeration and ventilation



Features

- ▶ Efficient energy recovery
- ▶ Energy savings can be made with very short amortisation times
- ▶ Indoor installation
- ▶ CO2 reduction
- ▶ Low weight
- ▶ Low inherent energy requirement
- ▶ Small heating system
- ▶ Less time and effort needed to install the heating pipes (affordable installation)
- ▶ High operational reliability
- ▶ Low energy costs
- ▶ Optimum room climate
- ▶ Heat recovered from rotary exchangers cuts the system's energy costs and increases its

efficiency

- ▶ Low construction height
- ▶ 3 sizes
- ▶ Volume flow rates of 800 to 6,000 m³/h



Application

- ▶ Compact air handling unit incl. heat recovery for building assembly in horizontal or vertical style.



Accessories

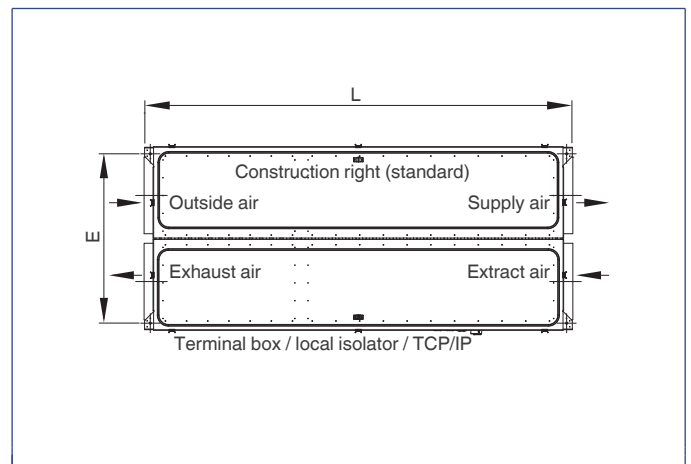
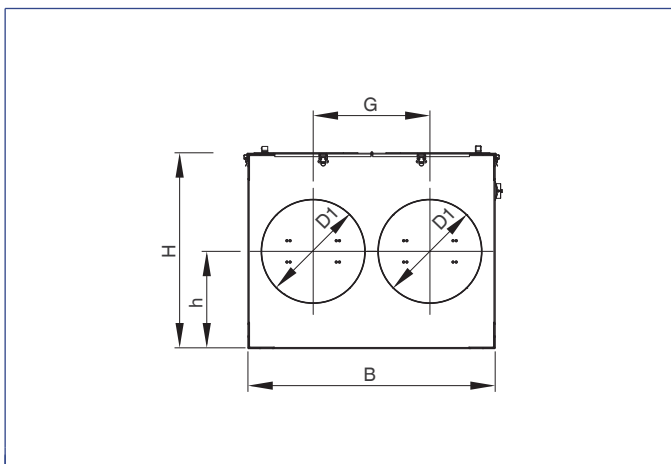
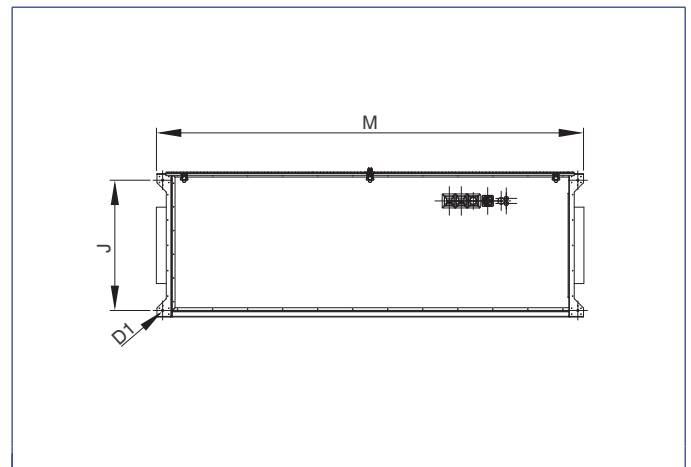
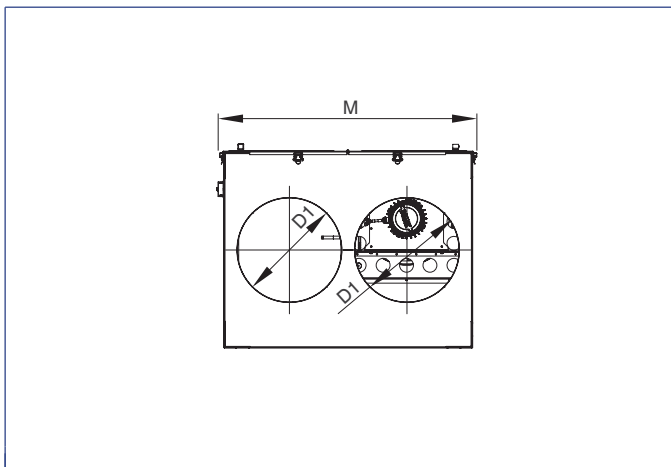
- ▶ Operation via web browser
- ▶ Manual operation device
- ▶ Air quality sensor
- ▶ Humidity sensor

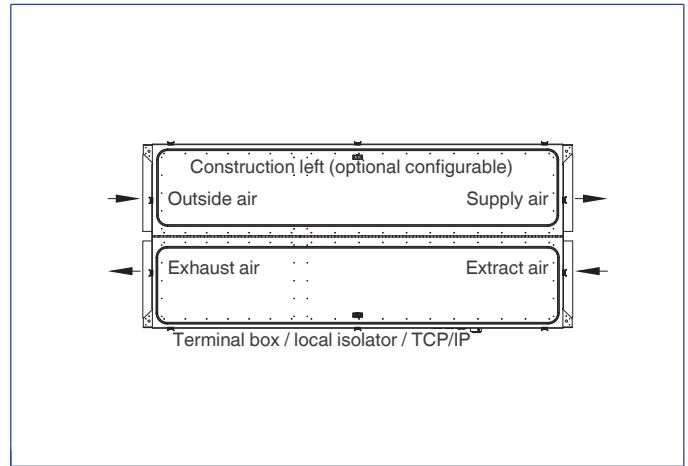
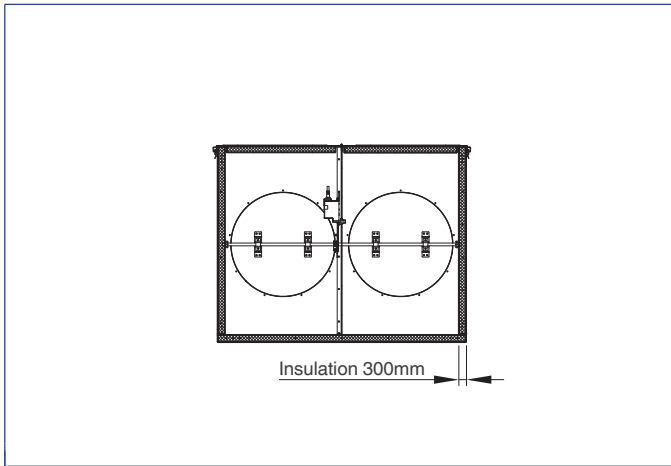
- ▶ Motion detector
- ▶ Temperature control
- ▶ Differential pressure sensor
- ▶ CO2 sensor
- ▶ Integrated air volume measurement
- ▶ Filters
- ▶ Anti-vibration element
- ▶ Flexible connectors



Classification, standards and guidelines

- ▶ Satisfies the Ökodesign Guideline 1253/2014
- ▶ Conformity check as per VDI 6022 for NG 950



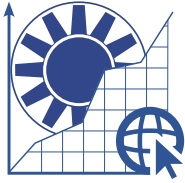


Dimensions [mm]

①	L	B	H	Ø D1	F	E	J	Ø D2	G	h	X	M	②
ThermoVent 650	2230	890	717	355	2157	813	828	13	435	352	700	950	200
ThermoVent 950	2530	1077	856	450	2457	1000	771	13	538	424	800	1177	260
ThermoVent 1250	3032	1389	1020	560	2957	1312	933	13	671	505	1000	1450	350

① Nominal size • ② Weight (approx.) [kg]





Building heating, aeration and ventilation

+ Features

- ▶ Energy savings can be made with very short amortisation times
- ▶ Roof installation
- ▶ Compact unit for heating, ventilation and aeration
- ▶ Maximum efficiency due to high heat recovery efficiency of up to 90%
- ▶ Self-cleaning rotary heat exchanger
- ▶ Extendible rotor
- ▶ Complete separation of the supply and exhaust air flows
- ▶ Low pressure losses in the rotor due to the double purge sector principle
- ▶ No air deflections
- ▶ Integrated, wired regulation
- ▶ Needs-based regulation
- ▶ Highly efficient EC drive motors

- ▶ Amortisation of approx. one to three years depending on the daily operating time
- ▶ 3 sizes
- ▶ Volume flow rates of 4,000 to 16,000 m³/h

Application

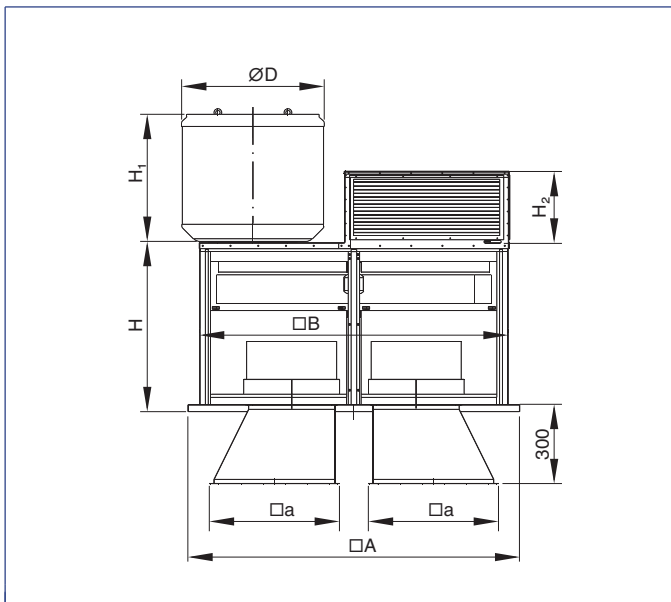
- ▶ Air handling unit incl. heat recovery for industrially or commercially used rooms and halls, as well as gyms
- ▶ Roof installation

& Accessories

- ▶ Operation via web browser
- ▶ Manual operation device
- ▶ Air quality sensor
- ▶ Humidity sensor
- ▶ Motion detector

- ▶ Temperature control
- ▶ Differential pressure sensor
- ▶ CO₂ sensor
- ▶ Integrated air volume measurement
- ▶ Filters
- ▶ Steel roof base for smooth roofs with internal insulation
- ▶ Mixed air box
- ▶ Flexible connector
- ▶ Supply air grille
- ▶ Inlet duct
- ▶ Intermediate piece
- ▶ Outlet sound attenuator, SDI type
- ▶ Outlet sound attenuator, type: SDI long

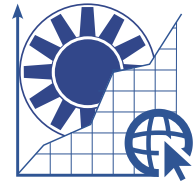
ThermoVent D



Dimensions [mm]

①	Ø D	□ A	□ B	H	H1	H2	□ a
TV-D 1500	828	1920	1757	1128	450	400	708
TV-D 1700	993	2120	1957	1128	525	450	851
TV-D 1900	1272	2320	2157	1128	730	500	898





Exhaust air fans made of plastic

+ Features

- ▶ Volume flow rates and pressure depending on series:
DRVF-K: up to 26,000 m³/h; max. pressure 1,200 Pa
AXN-K: up to 18,000 m³/h; max. pressure 800 Pa
REH-K: up to 110,000 m³/h; max. pressure 5,000 Pa
- ▶ Casing materials: PVC / PPS / PPS-el
- ▶ Impeller materials: PVC / PPs / PPS-el / GRP / stainless steel
- ▶ Other materials available upon request (e.g. Tegon-coated).

- ▶ The casings are equipped with shatter protection as standard.
- ▶ Also available as the explosion-proof type as per ATEX.
- ▶ Centrifugal fans optionally available with forward or backward curved blades.
- ▶ Different impeller geometries available, coordinated to the pressure loss to be overcome.

X Application

- ▶ Exhaust air fans for aggressive conveying medium.
- ▶ DRVF-K series as roof fan, free outlet

- ▶ AXN-K and REH-K series for installation in the duct system.
- ▶ (REH-K series for outdoor installation too)

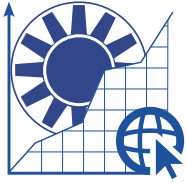
◊ Variants

- ▶ DRVF-K: roof fan
- ▶ AXN-K: axial fan
- ▶ REH-K: centrifugal fan (V-belt drive / direct drive)

& Accessories

- ▶ Coordinated to the relevant series.
- ▶ Please enquire at our headquarters





Exhaust air fans for industrial processes

+ Features

The following products are also suitable for process applications with additional measures. (More detailed information about this can be found in the relevant product data sheets)

REH series centrifugal fans, suitable for:

- ▶ Conveying temperatures up to +250°C constant temperature
- ▶ Extraction of drilling emulsions; oily extract air; slightly dusty extract air
- ▶ Slightly aggressive medium (stainless steel version, material: 1.4571)
- ▶ Potentially explosive atmosphere
- ▶ ERM series centrifugal plug-in fans, suitable for:
 - ▶ Conveying temperatures up to +280°C constant temperature
 - ▶ Potentially explosive atmosphere

- ▶ AXN series axial fans
- ▶ Constant temperatures up to max. +130°C (BVAXN 8/56 series: F600 up to +250°C)
- ▶ Slightly aggressive medium (stainless steel version, material: 1.4571) e.g. for the paper industry
- ▶ DRVF-H and BVD series roof fans
- ▶ Slightly aggressive medium (stainless steel version, material: 1.4571) DRVF-H series
- ▶ Conveying temperatures up to max. +250°C BVD series

Application

- ▶ Process exhaust air fans for duct / pipeline installation.
- ▶ Indoor and outdoor installation

& Accessories

- ▶ Terminal box
- ▶ Local isolator loose (max. ambient temperature)
- ▶ Local isolator attached (terminal box not required)



Disclaimer

For all our business relationships only our general delivery payment conditions in the respective version.

Our warranty is based solely on the contract between a customer and TROX. The information provided in this document is without obligation and does in particular not constitute a guarantee of the properties or usage of a product. The information given is of a general nature and may vary from case to case. The products and systems shown are examples. Some products and systems shown may have been designed for individual customers and hence represent customised solutions. Some of these products and systems come with special parts or equipment that is only available at a surcharge.

The information regarding the scope of delivery, appearance, performance, dimensions, and weights was correct at the time of going to press. Subject to change. This edition replaces all previous editions.

Quick selection

2016

